



**KC HiLiTES**

2014  
EDITION





## Contents:

- LED Lighting ..... 6-13
- HID Lighting .....14-17
- Halogen Lighting.....18-26
- Utility Lights .....27
- For Jeeps.....28-31
- Lite Bars.....32-33
- Accessories .....34-37
- Replacement Parts .....38-39

## Selecting the Right Lights...

Choosing which type of light best fits your needs often comes down to a question of your lifestyle or intended use. If you are a recreational off-roader you may not necessarily need a racing light for traveling across the desert at 120 MPH. However, if you are a racer, you do need the most light possible for high speed safety. Traveling through dense forest or mud bogging? Then you probably need lighting that gives you broader as opposed to long distance vision. If you're in the agri, commercial or industrial market, then you probably need more of a utility light that offers greater versatility.

To help ease your selection process, we divided our lights into various categories based on lighting types such as LED, HID and Halogen. Regardless of what kind of lights you're looking for, you can be assured KC HiLiTES has the right ones for you.



From the initial design to 3D rapid prototype, tool machining, injection molding and finished product...Every step is controlled in-house to ensure consistency and the highest quality possible.



The KC Dirt Tribe is a collection of world-class race drivers and off-road athletes that demand the same commitment to excellence on both a personal and product level that we have at KC HiLiTES. It is also for those individuals who share the "Tribe's" extreme passion for off-roading and refusal to back down to any challenge.

Follow us wherever your adventures take you on facebook, Twitter or on our website.



Official Lights of:

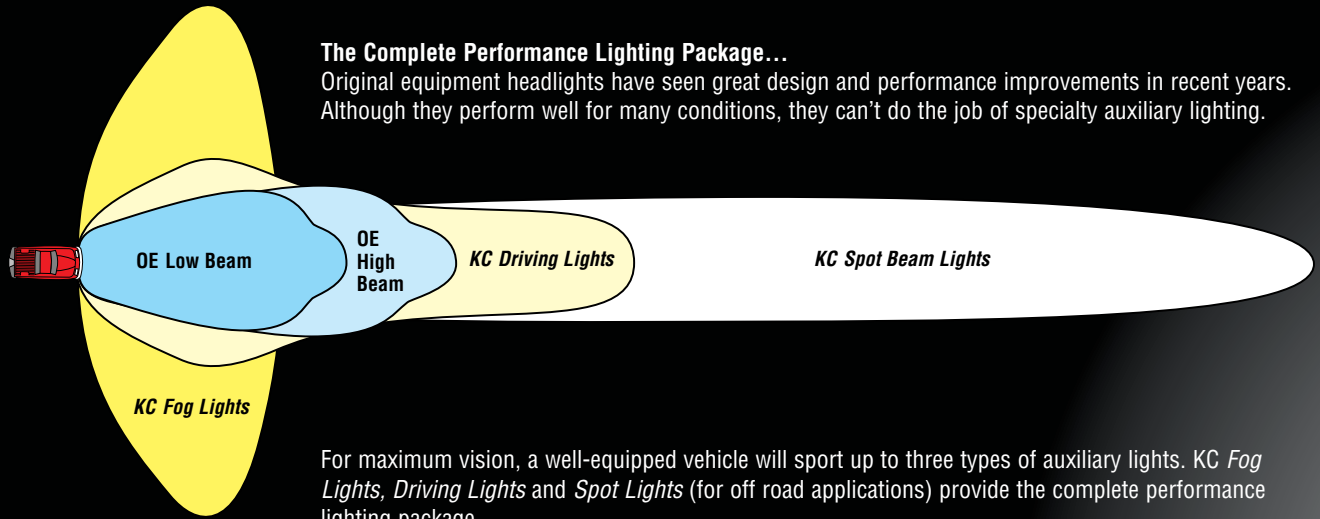


Proud Sponsor of:

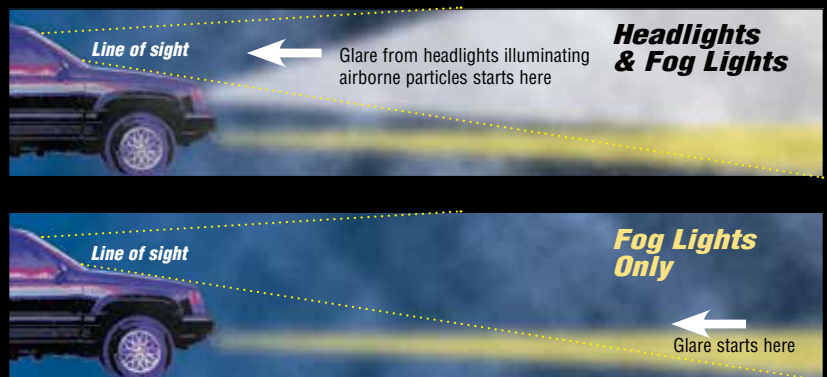




# Lighting Usage

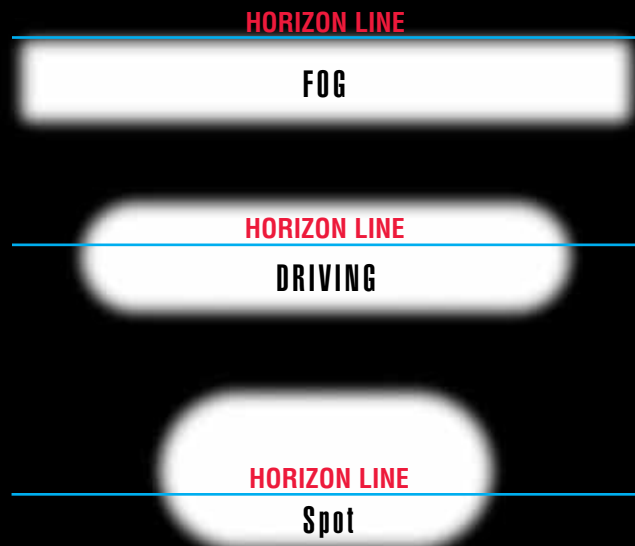


**Fog...** Conventional lights throw a broad beam containing both vertical and horizontal light. Unfortunately, the vertical light projected above the hood of the vehicle can illuminate particles of rain, snow, dust, etc. in front of the vehicle and create a dangerous glare that dramatically reduces the driver's vision. *KC Fog Lights* project a beam pattern which is very wide, but only a couple of feet high. This pattern lights the pathway close to the ground but does not light the airborne particles in the driver's line of sight. Fog lights are also a very helpful addition to headlights in clear weather conditions by providing added lighting immediately in front of the vehicle as well as increased side or cornering light.



Comparative Light Patterns from Driver's Point of View

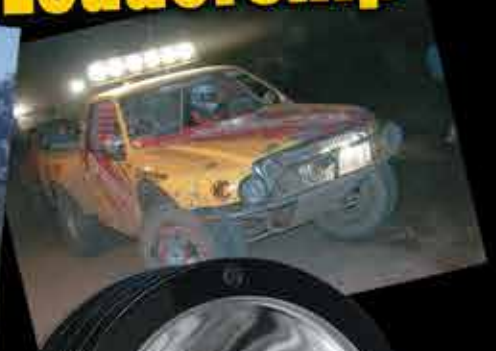
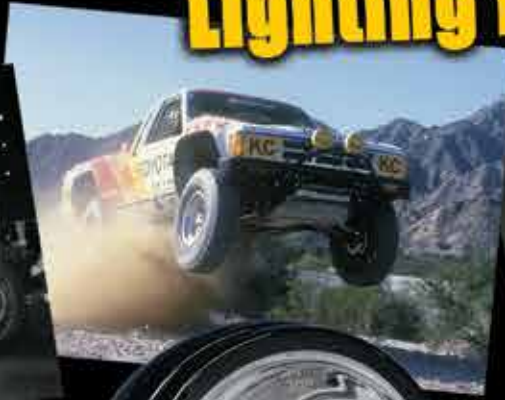
**Driving...** Driving lights are designed to supplement your high beam headlights. Their candlepower (approximately twice that of your headlights), coupled with a rectangular beam pattern, produces a light pattern that reaches further than high beam headlights. They also provide wider side lighting to help see things that are near the roadway such as children or animals.



**Spot Beam...** Able to penetrate deep into the night, *KC Spot Beam* lights are the whitest, brightest available for automotive use. They range from our 55 watt quartz halogen models, up to our 70 watt HID *KC-POD* and our new LED lights. *KC HiLiTES* offers the most comprehensive selection available.



# Over Four Decades of Lighting Leadership



**1st Daylighter®**



**1st HID**



**Rally 800 HID**

**1970** **1974**



**1996**



**2004**

• *KC HID's were the brightest lights available at the time. Using the same Metal Halide lighting concept used to light up huge stadiums, these powerful lights were tested and proven by off-road racing legends Walker Evans, Ivan Stewart and Robby Gordon.*

• *RALLY 800 35 HID 8-inch lights were the next generation in KC's expanding line of high performance lighting. They were bigger and brighter than their predecessors and quickly gained popularity among off-road racers.*

Michele DeHaas  
"Mrs. KC"



KC was started in 1970 by Pete Brown as he was looking for some improved lighting for his pickup. He started using landing lights from aircraft, adapting them to his truck. Available lighting at the time was limited to 55-watt halogen lamps that were in his words, "really disappointing" in the desert. He made a few sets for friends, and KC was in business. Working out of his garage in the beginning, he assembled the lights, built the wiring harnesses and sold the lighting packages to off-roaders and local shops. As the original manufacturer of off-road auxiliary lighting, KC HiLITES not only set the standard for the category – *we created it.*

The 70's and 80's brought more innovations in lighting, and KC was at the forefront. In the 90's, KC developed the now-famous HID (High Intensity Discharge) lighting system, based on the same Metal Halide concept used to illuminate giant sports complexes.



## Advanced LED Technology

### 2007

• The KC-POD® was the most powerful light on the market when it was introduced in 2007. The 70 watt model is still a favorite of professional off-road racers.

### 2010

• The KC LZR™ Series represented the latest in LED lighting technology when they were first introduced.

### 2013

• KC continues to increase our selection of powerful LED lighting with the new KC CUBE, LZR™ Series LED Light Bars, C-Series LEDs and new HID lights with self-contained ballast and starter.

Since 2004, KC HiLITES has been owned and operated by Michael DeHaas, Pete Brown's stepson. Many of the latest innovative KC products developed by DeHaas and his team include the SlimLite®, the Rally 800 series of lights, the radical Carbon Fiber KC-POD® 70 watt HID light, and our ever growing line of high performance LED lights.

For over four decades, our goal has been to lead the auxiliary lighting industry by offering the widest selection of the most advanced, superior performing lighting products available.





# LED

## GRAVITYSERIES

Gravity is the next evolution in LED lighting. Powered by KC's patented Gravity Reflective Diode (GRD) technology, Gravity LEDs combine the advantages of LED lighting with the proven performance of precision reflector optics. This maximizes their effectiveness and amplifies the amount of light that is projected. The result is an extremely bright and highly efficient light that provides significantly greater distance vision as compared to conventional LEDs.

KC Gravity LEDs are available in 6" Pro-Sport Gravity LED lights, 6" Gravity LED Inserts and 4" x 6" Gravity LED street legal driving lights.



#1643

### 6" Pro-Sport Gravity LED Lights

- Compact, impact resistant Polymax composite housings
- IP68 rated
- 5,000K color temperature
- Protected Against EMI Interference
- Available in Spot or Spread beam models
- 20-Watt Spot Beam: 2,104 Lumens; 210,495 Candela
- 20-Watt Spread Beam: 2,104 Lumens; 126,727 Candela
- Comes with protective stone guard



#1643

### 6" Gravity LED Inserts

- Simple plug-n-play drop-in LED conversion for halogen Daylighters® & halogen 6-inch Pro-Sport lights
- IP68 rated
- 5,000K color temperature
- Protected Against EMI Interference
- Available in Spot or Spread beam models
- 20-Watt Spot Beam: 2,104 Lumens; 210,495 Candela
- 20-Watt Spread Beam: 2,104 Lumens; 126,727 Candela



#1711

### 4"x 6" Gravity LED Driving Lights

- SAE (U.S.) and EMARK/ECE (Europe) certified street legal
- IP68 rated sealed aluminum housing
- 5,000K color temperature
- Protected Against EMI Interference
- 20-Watt Driving Beam: 2,104 Lumens; 111,690 Candela
- Comes with protective stone guard

Pair Pack Part #	Single Light Part #	Model / Description	Beam Pattern	Watts	Volts	Lumens	Width	Height	Depth
<b>6" Pro-Sport Gravity LED</b>									
643	1643	6" Pro-Sport LED	Spot	20	9-32	2,104	6.25"	7.00"	4.54"
644	1644	6" Pro-Sport LED	Spread	20	9-32	2,104	6.25"	7.00"	4.54"
<b>6" Gravity LED Insert</b>									
42134	42133	6" Gravity LED Insert	Spot	20	9-32	2,104	5.66"	5.66"	3.32"
42054	42053	6" Gravity LED Insert	Spread	20	9-32	2,104	5.66"	5.66"	3.32"
<b>6" Gravity LED Driving</b>									
711	1711	4"x 6" Gravity LED	Driving	20	9-32	2,104	6.29"	4.76"	3.83"



# LZR SERIES

KC's LZR Series of high performance LED lights represents the latest advancements in Light Emitting Diode lighting technology. KC LZRs operate on 9 to 32 volts and project an extremely even distribution of light. A key feature of KC LZRs is the super long life span of the LEDs, lasting up to 50,000 hours. Plus, they are incredibly resistant to shock and vibration.

## LZR CUBE 3" LED

- 20-watt 4-LED light rated at 2,600 lumens output
- Driving beam pattern - 5000K color temperature
- Waterproof and dustproof IP68 rated sealed 3" aluminum die-cast housing
- Waterproof wiring connector integrated into the housing
- Thermal-efficient turbine air-cooled fin design housing with polycarbonate lens
- On-Board thermal management
- Protected against RFI/EMC interference
- 50,000 hour life
- Pair packs include pre-terminated wiring kit with waterproof connectors
- Flush mount model also available
- For off-road use only



#1311 - Flush Mount Model



#310



#310 - LZR CUBE LED Light System  
Includes 2 lights & wiring kit



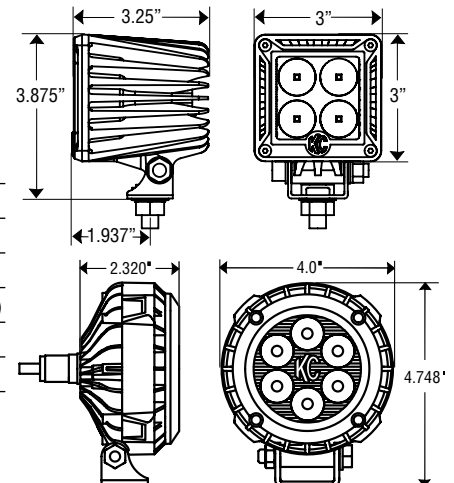
#1300



#300 - LZR 4" Round LED Light System  
Includes 2 lights, 2 stone guards & wiring kit

## LZR 4" Round LED

- 24-watt 6-LED light rated at 2,400 lumens output
- Driving beam pattern - 5000K color temperature
- Waterproof and dustproof IP68 rated sealed 4" round aluminum die-cast housing
- Turbine heat-sink design housing with polycarbonate lens
- Impact and vibration resistant
- On-board thermal management
- Protected against RFI/EMC interference
- 50,000 Hour Life
- Includes protective stone guard
- Pair packs include pre-terminated wiring kit with waterproof connectors
- For off-road use only



Pair Pack Part #	Single Part #	Description	Beam Pattern	No. of LEDs	Watts	Lumens	Width	Height	Depth
<b>LZR CUBE</b>									
310	1310	3" CUBE	Driving	4	20	2,600	3.00"	3.88"	3.25"
311	1311	Flush Mount CUBE		4	20	2,600	3.00"	3.88"	3.25"
340	n/a	CUBE Raptor Kit (Includes 4 CUBE LED Lights with Mounting Brackets & Harness)							
<b>LZR 4" Round</b>									
300	1300	4" Round	Driving	6	24	2,400	4"	4.75"	2.32"



# LED

## C SERIES

The KC C-Series consists of a selection of 3" Compact LED Lights and Light Bars rugged enough to carry the KC HiLITES name. KC's C-Series LED light bars are available in 10", 20", 30", 40" and 50" models that include a wiring harness. KC C-Series LEDs operate on 9 to 32 volts.



#330 - C3 Clear Spot LED System  
Includes 2 lights and wiring kit

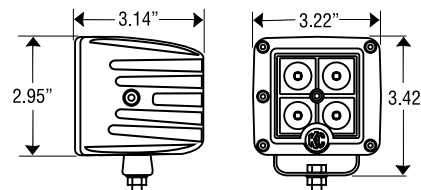


#315 - C3 Amber Spot LED System  
Includes 2 lights and wiring kit

### C3 3" COMPACT LED

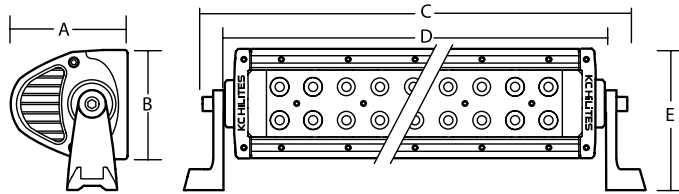
- 12-watt 4-LED light rated at 1,080 lumens
- 3" IP67 rated aluminum die-cast housing
- Waterproof wiring connector
- Available in a choice of Spot or Flood beam patterns
- Also available in Amber Spot beam
- On-board thermal management
- Protected against RFI/EMC interference
- 30,000 hour life
- Pair packs include pre-terminated wiring kit with waterproof connectors
- For off-road use only

Pair Pack Part #	Single Part #	Description	Beam Pattern	No. of LEDs	Watts	Lumens	Width	Height	Depth
<b>C3 3" LED</b>									
315	1315	C3 Amber LED	Spot	4	12	1,080	3.22"	3.42"	3.14"
330	1330	C3 Clear LED	Spot	4	12	1,080	3.22"	3.42"	3.14"
331	1331	Flush Mount C3	Spot	4	12	1,080			
332	1332	C3F Clear LED	Flood	4	12	1,080	3.22"	3.42"	3.14"
341	n/a	Clear C3 Raptor Kit (Includes 4 C3 LED Lights with Mounting Brackets & Harness)							





# C SERIES



### C-SERIES LED LIGHT BARS

- Available in Clear 10", 20", 30", 40" & 50" models
- Also available in Amber 10" & 20" models
- IP67 rated extruded aluminum housings with die-cast aluminum mounting brackets
- Combo Spot/Spread beam patterns
- End Caps with GORE® Membranes for Extreme Resistance to Moisture and Dust
- On-board thermal management
- 50,000 hour LED life
- Each LED light bar includes a wiring harness with waterproof connectors
- For off-road use only

Part No.	Model / Description	Beam Pattern	No. of LEDs	Watts	Lumens	Dimensions				
						A	B	C	D	E
316	C10 - 10" Amber LED Light Bar	Combo Spot / Spread	20	60	5,400	3.40"	3.09"	12.88"	11.38"	4.72"
317	C20 - 20" Amber LED Light Bar	Combo Spot / Spread	40	120	10,800	3.40"	3.09"	22.88"	21.38"	4.72"
334	C10 - 10" Clear LED Light Bar	Combo Spot / Spread	20	60	5,400	3.40"	3.09"	12.88"	11.38"	4.72"
335	C20 - 20" Clear LED Light Bar	Combo Spot / Spread	40	120	10,800	3.40"	3.09"	22.88"	21.38"	4.72"
336	C30 - 30" Clear LED Light Bar	Combo Spot / Spread	60	180	16,200	3.40"	3.09"	32.88"	31.38"	4.72"
337	C40 - 40" Clear LED Light Bar	Combo Spot / Spread	80	240	21,600	3.40"	3.09"	42.88"	41.38"	4.72"
338	C50 - 50" Clear LED Light Bar	Combo Spot / Spread	100	300	27,000	3.40"	3.09"	52.88"	51.38"	4.72"



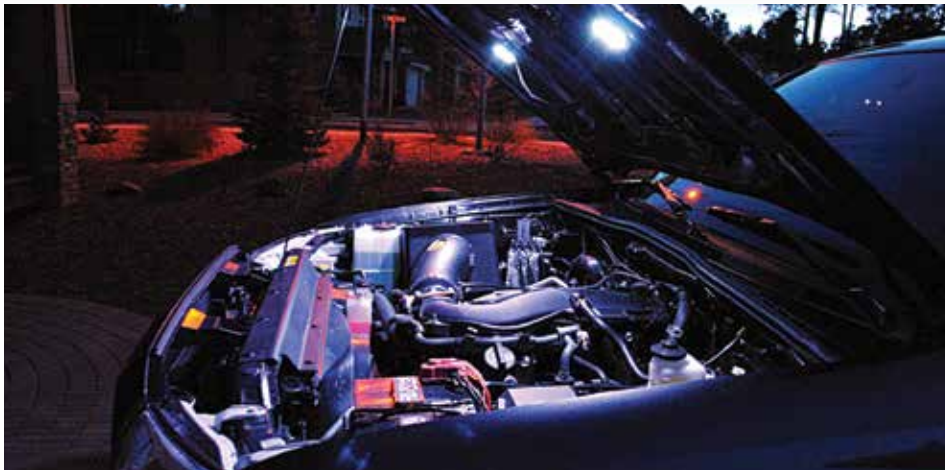
### LED Light Bar Universal Adapter Brackets

- For mounting C-Series LED light bars on KC front end Lite Bars
- Brackets available for C10 thru C50 LED light bars
- For use on 2 & 4-tab light bars and includes mounting hardware



# LED

## KC CYCLONE ACCESSORY LED LIGHT



Bright LED accessory light adds extra lighting to your engine bay - Toyota Tacoma under hood 2-light kit shown

KC's new Cyclone LED accessory light easily provides you with extra lighting wherever you need it most.

- Compact 2.2" dia. and flat profile allows use as a dome light, under hood engine bay light, rock light, emergency repair light and more
- IP68 rated dust and waterproof design
- Easily attaches anywhere with a Dzus clip or other readily available fasteners
- Comes ready to wire into any 12 volt power source
- Choose from clear, diffused, amber, red, blue or green models
- Also available in ready-to-install kits that includes wiring and water proof switch for Jeep JK, Toyota Tacoma, Ford Raptor and Universal applications



Easily attaches with Dzus clip or other readily available fasteners



#1350 - Clear



#1351 - Diffused



#1352 - Amber



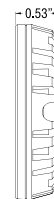
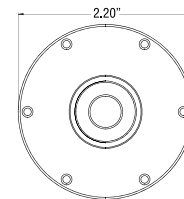
#1353 - Red



#1354 - Blue



#1355 - Green



#350



#351



#352 & #353

Single Light Part #	Description	Lens Color	Beam Pattern	Wattage / LED Type	Lumens	Width	Depth
1350	2" Mini Accessory Light	Clear	Flood	5w / SMD5630	400	2.20"	0.53"
1351	2" Mini Accessory Light	Diffused	Flood	5w / SMD5630	400	2.20"	0.53"
1352	2" Mini Accessory Light	Amber	Flood	5w / SMD5630	400	2.20"	0.53"
1353	2" Mini Accessory Light	Red	Flood	5w / SMD5630	400	2.20"	0.53"
1354	2" Mini Accessory Light	Blue	Flood	5w / SMD5630	400	2.20"	0.53"
1355	2" Mini Accessory Light	Green	Flood	5w / SMD5630	400	2.20"	0.53"
Kit Part #	Description						
350	Universal DIY Cyclone LED Light Kit – one light, weatherproof switch, bulk wire & butt connectors, mounting hardware						
351	JK Under Hood LED Light Kit – one light, wiring harness w/ weatherproof switch, mounting hardware						
352	Raptor Under Hood LED Light Kit – two lights, wiring harness w/ weatherproof switch, mounting hardware						
353	Tacoma Under Hood LED Light Kit – two lights, wiring harness w/ weatherproof switch, mounting hardware						



## KC LED KITS FOR FORD RAPTORS



Turn that empty space in the front bumper of your Raptor into a powerful light source. Systems include all the needed brackets and hardware for a custom looking appearance along with a wiring harness that easily connects into the factory auxiliary switch harness.

- Specially designed for Ford Raptors
- Provides custom looking appearance
- Fits stock bumper opening
- Two system available:
  1. LZR CUBE Driving Lights kit - Part #340
  2. C3 Spot Beam Lights kit - Part #341
- Heavy duty mounting brackets help shield back of the lights from mud and debris
- No drilling required for installation
- Includes pre-terminated wiring harness with waterproof connectors
- Easily connects into the factory auxiliary switch harness
- For off-road use only



### Raptor LED Kits

System Part #	Single Light Part #	Model/Description	Beam Pattern	# of LED's	Watts	Lumens	Light Width	Light Height	Light Depth
340	1310	3" LZR Cube LED	Driving	4	20	2,600	3.00"	3.88"	3.25"
341	1330	C3 - 3" LED	Spot	4	12	1,080	3.22"	3.42"	3.14"



### LZR 4" LED REPLACEMENT BUMPER LIGHTS SYSTEM

Upgrade the stock JK bumper lights with powerful state-of-the-art LED lights. System contains two KC LZR 4" round lights, mounting brackets and wiring adapters that plug into the factory wiring. Fits 2007-09 Jeep JKs.

- 24-watt 6-LED lights rated at 2,400 lumens each
- Driving beam pattern - 5000K color temperature
- IP68 rated sealed 4" round aluminum die-cast housings
- Wiring adapters feature waterproof connectors and plug directly into the factory harness
- For off-road use only

#492 - 2007-09 LZR 4" LED JK Bumper Lights System



# LED

## KC LED LIGHT BAR SYSTEMS

### Overhead C-Series LED Light Bar Systems

These systems provide everything needed to easily add powerful LED lighting to your truck.

#### Overhead C-Series LED Light Bar Systems

- Includes 50" C50 LED light bar and all necessary hardware
- Overhead brackets mount in door jam for a clean, custom look

Part #	Year	Model / Description
<b>CHEVROLET / GMC</b>		
371	2007-13	Silverado/Sierra 1500
<b>FORD</b>		
376	1999-2014	F-250/F-350/F-450 Super Duty <i>(Cannot have factory roof lights)</i>
<b>JEEP</b>		
366	2007-14	JK Wrangler
369	1997-06	TJ Wrangler
<b>TOYOTA</b>		
380	2005-14	Tacoma (Double Cab only)

*Intended for off-road use only*



Complete systems include C50 LED light bar, sturdy steel mounting brackets and necessary hardware for a custom installed appearance



#366 - JK Windshield System

### Front End C-Series LED Light Bar Systems

- Systems include KC 40" C40 LED light bar, mounting brackets and wiring harness
- Brackets simply bolt in place with no drilling required for installation

Part #	Year	Model / Description
<b>CHEVROLET / GMC</b>		
360	07-14	2500/3500 HD
<b>DODGE / RAM</b>		
361	2003-14	2500/3500 HD
<b>FORD</b>		
362	2009-14	F-150/Raptor
363	1999-2014	F-250/F-350/F-450/F-550 Super Duty

*Intended for off-road use only*



#363 - Ford Super Duty



#361 - Ram 2500 HD



#### LED Light Bar Universal Adapter Brackets

- For mounting C-Series LED light bars on KC front end Lite Bars
- Brackets available for C10 thru C50 LED light bars
- For use on 2 & 4-tab light bars and includes mounting hardware

## KC LED TRUCK GRILLES



#75051 Toyota Tacoma grille shown with 20" C20 LED light bar

### KC LED Truck Grilles

KC LED Truck Grilles combine great styling with a powerful C-Series LED light bar in one convenient kit. These vehicle specific replacement grilles are engineered to mount in the OEM locations with supplied premium quality hardware. The C-Series light bar fits precisely into the grille while allowing optimal beam aiming.

- Stylish mesh design with solid outer frame for sturdy durability
- Precision laser cut and sanded for a superior fit and finish
- Deep satin black two stage powder-coat finish with gloss black KC logo
- Secures into OEM mounting location and includes all necessary hardware.
- Includes C-Series LED light bar complete with wiring harness and switch
- Light opening accepts a 10" or 20" C-Series LED light bar depending on application

Part #	Year	Model	Finish
<b>CHEVROLET</b>			
75001	2011-13	Silverado 2500/3500 HD	Satin Black Frame / Gloss Black Logo
<b>FORD</b>			
75040	2008-10	Super Duty F-250/F-350	Satin Black Frame / Gloss Black Logo
75041	2011-14	Super Duty F-250/F-350	Satin Black Frame / Gloss Black Logo
75042	2009-13	F-150	Satin Black Frame / Gloss Black Logo
<b>GMC</b>			
75010	2007-13	Sierra 1500	Satin Black Frame / Gloss Black Logo
<b>JEEP</b>			
75030	2007-14	Wrangler JK	Satin Black Frame / Gloss Black Logo
<b>TOYOTA</b>			
75050	2005-11	Tacoma	Satin Black Frame / Gloss Black Logo
75051	2012-13	Tacoma	Satin Black Frame / Gloss Black Logo
75052	2010-13	Tundra	Satin Black Frame / Gloss Black Logo



# HID



#9638

Easy aiming with the four adjustment screws



#96391  
Amber



#96392  
Red

Ever since their introduction, KC-POD® has been turning a lot of heads. For one very good reason...they simply outperform the competition!

## HID KC-POD®

- Powerful 70-watt, weather resistant, IP68 certified solid state ballasts
- 7.37" dia. high strength Carbon Fiber housing
- Computer designed multi-surface reflector optics
- Virtually unbreakable hard coated Lexan® lens
- Spring loaded lens assembly for easy and accurate aiming
- Available in Spot or Driving beam patterns

Light mount integrated into the housing for single bolt or triple bolt mounting



#9634

Pair Pack Part #	Single Light Part #	Description - Beam Type/Color	Watts	Lumens	Lens/Reflector Assembly - Clear	Bulb	Lens/Reflector Ring
9634	9638	HID Spot - Clear	70	7000	4200 - Clear	2602	8552
9635	9639	HID Driving - Clear	70	7000	4201 - Clear	2602	8552
n/a	96391	HID Driving - Amber	70	7000	42011 - Amber	2602	8552
n/a	96392	HID Driving - Red	70	7000	42012 - Red	2602	8552
n/a	95602	Racer harness for two (2) HID lights					

## HID RALLY POD LIGHTS

These light assemblies are made up of the same components as the 70 watt KC-POD® only without the Carbon Fiber housing. They fit all Rally Light Pods that accept 7 inch diameter lights.

- Includes lens/reflector, ballast, mounting/aiming ring and jumper cables
- 70 Watt, weather resistant, IP68 certified solid state ballast
- Virtually unbreakable hard coated Lexan® lens
- Computer designed multi-surface reflector optics
- Available in Spot & Driving models



#9440 - Spot

Part #	Beam Type/Color	Watts	Lumens	Lens/Reflector Assembly - Clear	Bulb	Lens/Reflector Ring
9440	HID Spot - Clear	70	7000	4200	2602	8552
9441	HID Driving - Clear	70	7000	4201	2602	8552



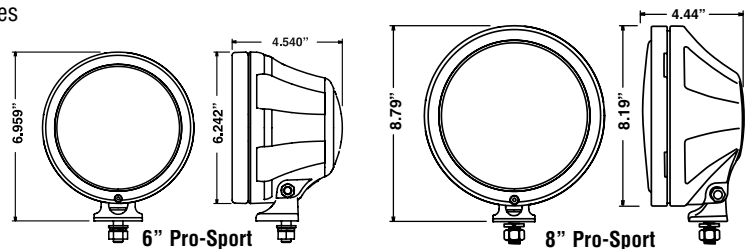
## PRO-SPORT HID LIGHTS



### Pro-Sport HID Spot & Driving Lights

35 Watt KC Pro-Sport HID lights are fully self-contained with the ballast and starter located inside the housing.

- Durable 8-inch or 6-inch dia. Polymax housings
- Computer designed precision polished reflector
- 8-inch KC Pro-Sport HID lights feature hard coated Lexan® lenses
- 6-inch KC Pro-Sport HID lights come with glass lenses
- Rugged 35 watt solid state ballast and starter
- Rated at 3500 lumens per lamp
- Choose either Spot or Driving beam patterns
- Available individually packed with protective stone guard or in pair packs including stone guards and fully assembled pre-terminated relay wiring harness with waterproof connectors



Pair Pack Part #	Single Light Part #	Beam Type/Color	Housing/Finish	Watts	Beam Candlepower	Lumens	Lens/Reflector Assembly	Bulb	Bezel	Lens Gasket	O-Ring
<b>6" Pro-Sport</b>											
640	1640	HID Spot - Clear	6" Black Polymax	35	600,000	3500	42131	2603	3619	3077I	n/a
641	1641	HID Driving - Clear	6" Black Polymax	35	285,000	3500	42052	2603	3619	3077I	n/a
<b>8" Pro-Sport</b>											
850	1850	HID Spot - Clear	8" Black Polymax	35	740,000	3500	42102	2603	3618	3077P	3077N
851	1851	HID Driving - Clear	8" Black Polymax	35	350,000	3500	42032	2603	3618	3077P	3077N



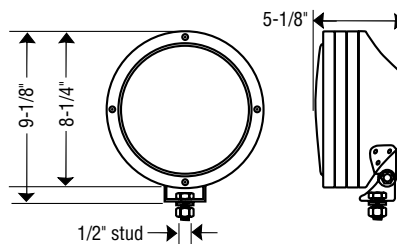
# HID



KC RALLY 800 HID Lights feature rugged, all Stainless Steel 8" diameter housings. They're available in Long Range or Driving beam patterns with a choice of fully polished or black painted Stainless Steel finishes.

**Pair Packs Include:**

- Two Rally 800 HID lights
- Two Slim, lightweight solid state 50-watt ballast
- Pre-terminated wiring harness with waterproof connectors
- Two protective stone guards



Pair Pack Part #	Single Light Part #	Beam Type/Color	Finish	Watts	Beam Candlepower	Lumens	Lens/Reflector Assembly	Bulb	Bezel	Lens Gasket	O-Ring
860	1860	Spot - Clear	Stainless Steel	50	814,000	5000	4210H	2602	3612	3077P	3077N
861	1861	Spot - Clear	Black Stainless	50	814,000	5000	4210H	2602	3612B	3077P	3077N
862	1862	Driving - Clear	Stainless Steel	50	385,000	5000	4203H	2602	3612	3077P	3077N
863	1863	Driving - Clear	Black Stainless	50	385,000	5000	4203H	2602	3612B	3077P	3077N

See page 39 for replacement parts reference illustrations

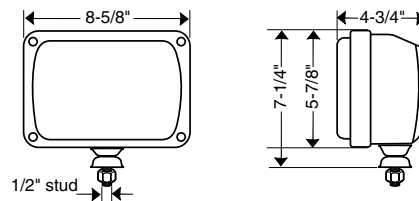
## 6" x 9" HID LIGHTS



KC 50 watt 6"x 9" HID lights are available in Spot or Driving models with deep black painted housings.

**Pair Packs Include:**

- Two 6"x 9" HID lights
- Two Slim, lightweight solid state 50-watt ballast
- Pre-terminated wiring harness with waterproof connectors
- Two hard plastic covers



Pair Pack Part #	Beam Type	Finish	Watts	Beam Candlepower	Lumens
261	Spot	Black	50	633,000	5000
263	Driving	Black	50	385,000	5000



## 6" 50-WATT HID LIGHTS



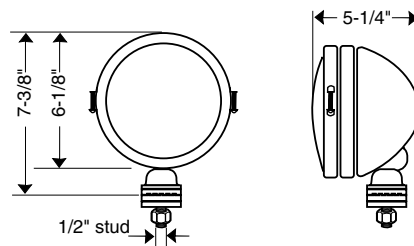
- 6" diameter steel shock mounted housing
- Spot Beam lights feature hard coated Lexan® lens
- Slim, lightweight solid state 50-watt ballast
- Polished Stainless Steel or black painted finish
- Available in Spot, Driving or Flood beam patterns



- Each light or pair of lights includes:**
- 6" HID Light(s)
  - Solid state ballast with plug-in terminals
  - Pre-terminated wiring harness with waterproof connectors
  - Soft vinyl cover(s)



All KC HID lights must be returned to the factory for warranty service or repair.



Pair Pack Part #	Single Light Part #	Beam Type/Color	Finish	Watts	Beam Candlepower	Lumens	Lens/Reflector Assembly	Bulb	Bezel	Lens/Reflector Holder
660	1660	Spot - Clear	Stainless Steel	50	660,000	5000	4212	2602	3042	3028
661	1661	Spot - Clear	Black	50	660,000	5000	4212	2602	3026	3028
664	1664	Flood - Clear	Stainless Steel	50	83,000	5000	42191	2602	3042	3028
665	1665	Flood - Clear	Black	50	83,000	5000	42191	2602	3026	3028
666	1666	Driving - Clear	Stainless Steel	50	305,000	5000	42051	2602	3042	3028
667	1667	Driving - Clear	Black	50	305,000	5000	42051	2602	3026	3028

NOTE: KC Spot HID Lights feature unbreakable Lexan® lenses



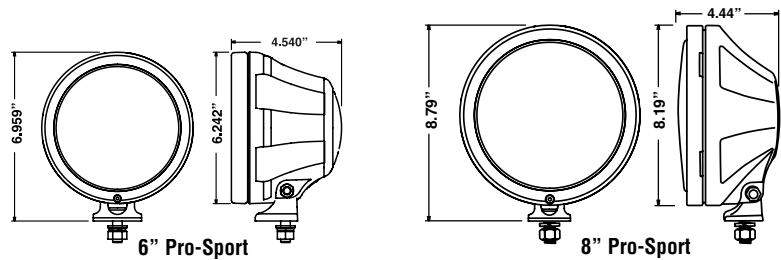
# HALOGEN

## PRO-SPORT HALOGEN LIGHTS



### Pro-Sport Halogen Spot & Driving Lights

- Durable 8-inch or 6-inch dia. Polymax housings
- 100-watt halogen bulb
- Available in Spot or Driving beam patterns
- Offered individually with stone guard or pair packs with stone guards and fully assembled pre-terminated relay wiring harness with waterproof connectors



Pair Pack Part #	Single Light Part #	Beam Type/Color	Housing/Finish	Watts	Beam Candlepower	Lens/Reflector Assembly	Bulb	Bezel	Lens Gasket	O-Ring
<b>6" Pro-Sport</b>										
605	1605	Spot - Clear	6" Black Polymax	100	200,000	4213	2767	3619	3077I	n/a
606	1606	Driving - Clear	6" Black Polymax	100	120,000	4205	2767	3619	3077I	n/a
<b>8" Pro-Sport</b>										
805	1805	Spot - Clear	8" Black Polymax	100	350,000	4210	2767	3618	3077P	3077N
806	1806	Driving - Clear	8" Black Polymax	100	150,000	4203	2767	3618	3077P	3077N



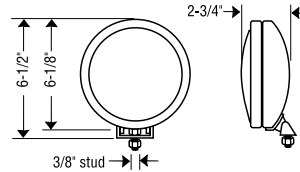
## SLIM LITES

KC SlimLites feature 6-inch diameter housing with a flat profile that allows them to fit where many other lights won't.

- 6" dia. steel housing with space efficient flat profile
- Precision polished reflector
- Optical quality glass lens
- Waterproof wiring connectors
- Chrome plated or black powder coat finish
- Available in 130-watt Spot beam or 100-watt Driving and Fog light models

### SlimLite Pair Packs Include:

- Two KC SlimLites
- Two protective stone guards
- Pre-terminated relay wiring harness
- Illustrated installation instructions



### 130-Watt Halogen Spot Beam



### 100-Watt Halogen Driving & Fog



### SlimLite®

Pair Pack Part #	Single Light Part #	Beam Type/Color	Finish	Beam Watts	Lens/Reflector Candlepower	Assembly	Lens Bulb	Bezel	Gasket	O-Ring
120	1120	Spot - Clear	Chrome	130	285,000	4213	2766	3061	3077D	3077E
121	1121	Spot - Clear	Black	130	285,000	4213	2766	3062	3077D	3077E
123	1123	Driving - Clear	Chrome	100	120,000	4205	2767	3061	3077D	3077E
124	1124	Driving - Clear	Black	100	120,000	4205	2767	3062	3077D	3077E
126	1126	Fog - Clear	Chrome	100	40,000	4206	2767	3061	3077D	3077E
127	1127	Fog - Clear	Black	100	40,000	4206	2767	3062	3077D	3077E

### Replacement Fog Lights for Jeep TJs – 6" SlimLite Steel Housing *(Includes O.E. style connector that plugs directly into factory wiring harness)*

n/a	1130	Fog - Clear (1997-04 TJ)	Chrome	55	25,000	4206	2551	3061	3077D	3077E
n/a	1131	Fog - Clear (1997-04 TJ)	Black	55	25,000	4206	2551	3062	3077D	3077E
n/a	1132	Fog - Clear (2005-06 TJ)	Chrome	55	25,000	4206	2551	3061	3077D	3077E
n/a	1133	Fog - Clear (2005-06 TJ)	Black	55	25,000	4206	2551	3062	3077D	3077E

See page 39 for replacement parts reference illustrations



# HALOGEN

## DAYLIGHTER®

KC DAYLIGHTERS® are perhaps the most recognized and asked for name in off-road lighting. Their specialized 6-inch diameter shock mounted housing has made them not only a popular choice for off-road applications, but also proves useful for agricultural and commercial applications where durability is a key factor.

### 130 Watt Halogen



#630 - Spot



#631 - Spot



#634 - Driving



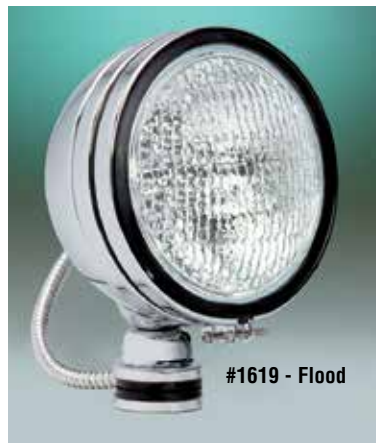
#632 - Spot

- 6" diameter steel shock mounted housing
- Available in 130-watt or 100-watt halogen models
- Computer designed parabolic reflector
- Optical quality glass lens
- Waterproof wiring connectors
- Polished stainless steel, chrome or black painted finish
- Choose from Spot, Driving, Fog or Flood beam patterns
- For off-road use only

#### Pair Packs Include:

- Two KC Daylighters
- Two protective light covers
- Pre-terminated relay wiring harness
- Illustrated installation instructions

*Cover included with all single pack Daylighters*

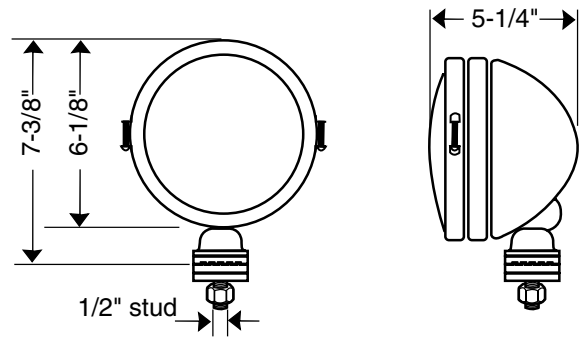


#1619 - Flood

Daylighters are also available as individual lights. Select from Spot, Driving, Fog or Flood beam patterns.

## DAYLIGHTER®

100 Watt Halogen



Pair Pack Part #	Single Light Part #	Beam Type/Color	Finish	Watts	Beam Candlepower	Lens/Reflector Assembly	Bulb	Bezel	Lens/Reflector Holder
237	1237	Spot - Clear	Chrome	100	200,000	4213	2767	3027	3028
238	1238	Spot - Clear	Black	100	200,000	4213	2767	3026	3028
239	1239	Spot - Clear	Stainless	100	200,000	4213	2767	3042	3028
n/a	1608	Flood - Clear	Stainless	100	32,000	4219	2767	3042	3028
n/a	1609	Flood - Clear	Black	100	32,000	4219	2767	3026	3028
n/a	1619	Flood - Clear	Chrome	100	32,000	4219	2767	3027	3028
630	1630	Spot - Clear	Chrome	130	285,000	4213	2766	3027	3028
631	1631	Spot - Clear	Black	130	285,000	4213	2766	3026	3028
632	1632	Spot - Clear	Stainless	130	285,000	4213	2766	3042	3028
633	1633	Driving - Clear	Chrome	130	175,000	4205	2766	3027	3028
634	1634	Driving - Clear	Black	130	175,000	4205	2766	3026	3028
635	1635	Driving - Clear	Stainless	130	175,000	4205	2766	3042	3028
n/a	1686	Fog - Clear	Chrome	100	40,000	4206	2767	3027	3028
n/a	1687	Fog - Clear	Black	100	40,000	4206	2767	3026	3028
n/a	1688	Fog - Clear	Stainless	100	40,000	4206	2767	3042	3028

See page 39 for replacement parts reference illustrations



# HALOGEN

## RALLY 800



#800 - Spot

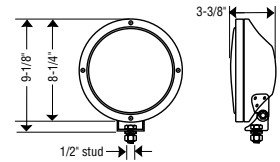


#803 - Driving

- Rugged 8" dia. all Stainless Steel housing
- 130-watt halogen bulb
- Precision polished reflector
- Hard coated Lexan® lens
- Waterproof wiring connectors
- Choice of polished Stainless Steel or black powder coat finish
- Available in Spot or Driving beam patterns

### Pair Packs Include:

- Two Rally 800 lights
- Two protective stone guards
- Pre-terminated relay wiring harness with waterproof connectors
- Illustrated installation instructions



Pair Pack Part #	Single Light Part #	Beam Type/Color	Finish	Watts	Beam Candlepower	Lens/Reflector Assembly	Bulb	Bezel	Lens Gasket	O-Ring
800	1800	Spot - Clear	Stainless Steel	130	375,000	4210	2766	3611	3077P	3077N
801	1801	Spot - Clear	Black Stainless	130	375,000	4210	2766	3611B	3077P	3077N
802	1802	Driving - Clear	Stainless Steel	130	170,000	4203	2766	3611	3077P	3077N
803	1803	Driving - Clear	Black Stainless	130	170,000	4203	2766	3611B	3077P	3077N

See page 39 for replacement parts reference illustrations

## RALLY 400

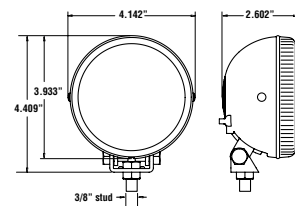
Compact KC RALLY 400 4" Driving Lights are ideal for use in aftermarket front bumpers for trucks, Jeeps and SUVs as well as other areas where limited space is a consideration.

- 4" dia. deep black powder coated steel housing
- 55 watt H3 Halogen bulb
- Computer designed reflector and clear glass lens
- Waterproof wiring connectors
- Easy aiming two axis mounting



#490 - Driving

Pair packs include complete wiring kit and two protective stone guards  
Single lights include stone guard



Pair Pack Part #	Single Light Part #	Beam Type/Color	Finish	Watts	Beam Candlepower	Lens/Reflector Assembly	Bulb	Bezel	Lens Gasket	O-Ring
490	1490	Driving - Clear	Black	55	40,000	4218	2551	n/a	n/a	n/a



## APOLLO PRO SERIES

### 6" Apollo Pro Series Lights

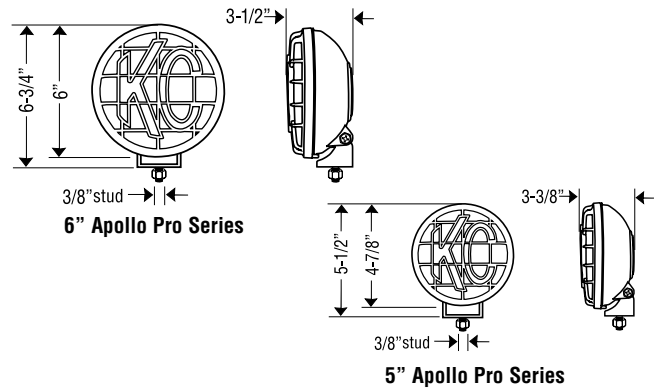


### 5" Apollo Pro Series Lights



KC Apollo Pro Series lights feature a super tuff black Polymax housing with an integrated stone guard. The Polymax housing is made in the U.S.A. and features a flat "space efficient" profile.

- Tough black Polymax housing
- Computer designed polished reflector
- Optical quality glass lens
- Built-in protective stone guard
- Pair packs include pre-terminated relay wiring harness with waterproof connectors
- Available in 6" dia. 100-watt or 5" dia. 55-watt Spot, Driving and Fog light models



### 6" Apollo Pro Series

Pair Pack Part #	Single Light Part #	Beam Type/Color	Finish	Watts	Beam Candlepower	Lens/Reflector Assembly	Bulb	Grille/Bezel	Gasket
150	1150	Spot - Clear	Black	100	200,000	4213	2767	7216	3077B
151	1151	Driving - Clear	Black	100	120,000	4205	2767	7216	3077B
152	1152	Fog - Clear	Black	100	40,000	4206	2767	7216	3077B

### 6" Apollo Pro Replacement Fog Lights for Jeep Wrangler TJs *(Includes O.E. style connector that plugs directly into factory wiring harness)*

n/a	1134	Fog - Clear (1997-04 TJ)	Black	55	25,000	4206	2551	7216	3077B
n/a	1135	Fog - Clear (2005-06 TJ)	Black	55	25,000	4206	2551	7216	3077B

### 5" Apollo Pro Series

Pair Pack Part #	Single Light Part #	Beam Type/Color	Finish	Watts	Beam Candlepower	Lens/Reflector Assembly	Bulb	Grille/Bezel	Gasket
450	1450	Spot - Clear	Black	55	72,000	4211	2551	7217	3077X
451	1451	Driving - Clear	Black	55	45,000	4207	2551	7217	3077X
452	1452	Fog - Clear	Black	55	20,000	4208	2551	7217	3077X

See page 39 for replacement parts reference illustrations



# HALOGEN

## APOLLO SERIES

### 6" Apollo Series Lights



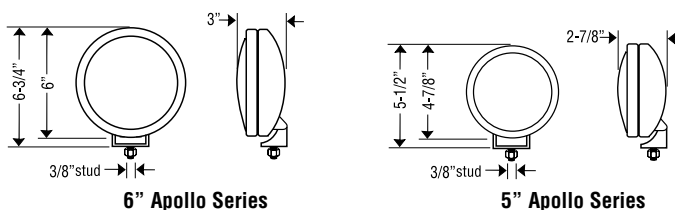
#155 - Spot

- Tough black Polymax housing
- Optical quality glass lens
- Two axis mount provides for easy aiming
- Pair packs include protective soft vinyl light covers and complete wiring kit
- Available in 6" dia. or 5" dia. 55-watt Spot, Driving and Fog light patterns

### 5" Apollo Series Lights



#456 - Driving



### 6" Apollo Series

Pair Pack Part #	Single Light Part #	Beam Type/Color	Finish	Beam Lens/Reflector		Assembly	Bulb	Bezel	O-Ring
				Watts	Candlepower				
155	1155	Spot - Clear	Black	55	104,000	4213	2551	3608A	3077B
156	1156	Driving - Clear	Black	55	66,000	4205	2551	3608A	3077B
157	1157	Fog - Clear	Black	55	25,000	4206	2551	3608A	3077B

### 5" Apollo Series

Pair Pack Part #	Single Light Part #	Beam Type/Color	Finish	Beam Lens/Reflector		Assembly	Bulb	Bezel	O-Ring
				Watts	Candlepower				
455	1455	Spot - Clear	Black	55	72,000	4211	2551	3607A	3077X
456	1456	Driving - Clear	Black	55	45,000	4207	2551	3607A	3077X
457	1457	Fog - Clear	Black	55	20,000	4208	2551	3607A	3077X

See page 39 for replacement parts reference illustrations

## ATV LIGHTING

Work or play, these lighting systems are ideal for adding extra light on any ATV. Features 5" Apollo halogen driving lights.

### ATV Pair Packs Include:

- Two 5" dia. Apollo Series lights
- Mounting brackets
- Wiring kit with switch
- Illustrated installation instructions



#421 - Driving

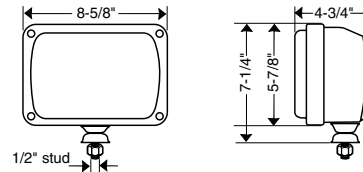
Pair Pack Part #	Single Light Part #	Description/Beam Type - Color	Finish	Watts	Beam Candlepower	Lens/Reflector	Bulb	Bezel	Gasket
421	n/a	5" Round - Driving - Clear	Black Polymax	35	45,000	4207	2551	3607A	3077X
7303		Light Bracket for 3/4" and 1" diameter bars (packaged individually)							



## 6" x 9" HALOGEN LIGHTS



- 6" x 9" black painted steel housings
- 100-watt quartz halogen bulbs
- Optical quality glass lens
- Gasket around the lens/reflector assembly and rubber washers on the bezel mounting screws to help prevent moisture from entering the housing
- Pair packs include hard plastic protective light covers and pre-terminated relay wiring harness with waterproof connectors
- Available in Spot and Driving Light models



Pair Pack Part #	Single Light Part #	Beam Type/Color	Finish	Watts	Beam Candlepower	Lens/Reflector	Bulb	Bezel	Gasket
241	1241	Spot - Clear	Black	100	191,000	4214	2767	3502	3077C
243	1243	Driving - Clear	Black	100	150,000	4215	2767	3502	3077C

See page 39 for replacement parts reference illustrations

## BACK-UP LIGHTING SYSTEM



KC Back-Up Lights illuminate a larger area than standard O.E. back-up lights. The Flood Lens pattern throws extra light right where it's needed to make backing up easier and safer. System includes everything necessary to connect to back-up light circuit so lights come on automatically when vehicle is placed in reverse.

### Part #517 Back-Up Flood Lighting System Includes:

- Two 2" x 6" rectangular composite housing Flood Lights
- 12 volts, 55 watts, 4.2 amps
- Two heavy duty brackets for easy mounting
- Relay wiring harness splices into back-up light circuit
- Illustrated instructions for easy installation



Standard back-up lights often don't provide enough illumination to see hazards



KC Back-Up Lights illuminate larger area, with brighter output



### Add-On Switch

Allows manual operation of back-up lights when vehicle shift lever is not placed in reverse.

Part #6303





# HALOGEN

## 2" x 6" SERIES LIGHTS



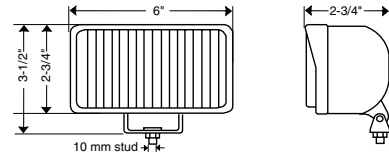
### 2" x 6" Series All Season Lighting System (left)

Systems include two 2" x 6" rectangular lights, interchangeable fog and Spot (driving) lenses, pre-terminated relay wiring harness and our unique adhesive mounting system for easy light installation.



### 2" x 6" Rear Facing Off-Road Racing Safety Lights

Virtually every off-road racing sanctioning body requires the use of rear facing safety lights on race vehicles. KC's compact 2" x 6" lights are the perfect for this use.

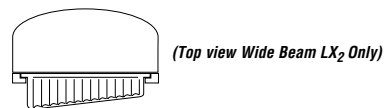
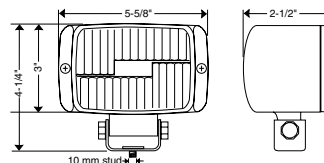


Pair Pack Part #	Single Light Part #	Beam Type/Color	Finish	Watts	Beam Candlepower	Lens	Reflector	Bulb	Bezel	Gasket
516*	1520	Fog - Amber	Black Plastic	55	6,500	4631	3520	2551	3522	3524
516*	1522	Fog - Clear	Black Plastic	55	10,000	4630	3520	2551	3522	3524
n/a	1525	Emergency - Red	Black Plastic	55	5,100	4625	3520	2551	3522	3524
516*	1762	Spot - Clear	Black Plastic	55	42,000	4639	3520	2551	3522	3524
517	1763	Backup/Flood - Clear	Black Plastic	55	n/a	4633	3520	2551	3522	3524

\*All Season System

See page 39 for replacement parts reference illustrations

## 3" x 5" SERIES WIDE BEAM DRIVING LIGHTS



- Specially shaped LX<sub>2</sub> lens projects a wider beam pattern than standard headlights
- Provides increased side to side illumination
- Pair packs include pre-terminated relay wiring harness

Pair Pack Part #	Single Light Part #	Beam Type/Color	Finish	Watts	Beam Candlepower	Lens/Reflector	Bulb	Bezel	Gasket
775	1775	Wide Beam - Clear	Black Plastic	55	22,000	4217	2551	n/a	n/a

See page 39 for replacement parts reference illustrations



## LED TAIL, BRAKE & TURN LIGHTS

KC offers a variety of quality LED Tail and Brake, Turn lights for utility and industrial vehicle use. All KC LED lights are made with Impact and UV resistant Polycarbonate lenses that are sonically sealed to prevent moisture issues. Typically, standard incandescent light bulbs might last only 1,000 to 2,000 hours. KC long-life LEDs last in excess of 100,000 hours with increased visibility and safety. Choose from a selection of tail lights, brake lights, turn signals, side marker and clearance lights, and trailer light kits.

### 4" Round Lights



### 5" Rectangular Lights



### 6" Oval Lights



### 2" Round Side Marker Lights



Part #	Description
1000	Trailer Tail Light Kit without Back Up Lights
1001	JEEP & Trailer Tail Light Kit with Back Up Lights
1002	4" Round Tail/Brake Light Red/Red - Light Only
1004	4" Round Tail/Brake Light Clear/Red - Light Only
1005	4" Round Turn Signal Light Clear/Amber - Light Only
1006	4" Round Backup Light Clear/White - Light Only
1008	5" Rectangular Tail/Brake Light Red - Light Only
1009	5" Rectangular Tail/Brake Light Amber/Amber - Light Only
1011	5" Rectangular Tail/Brake Light Clear/Amber - Light Only
1012	5" Rectangular Backup Light Clear/White - Light Only
1013	6" Oval Tail/Brake Light Red/Red - Light Only
1014	6" Oval Tail/Brake Light Amber/Amber - Light Only
1015	6" Oval Tail/Brake Light Clear/Red - Light Only
1016	6" Oval Turn Signal Light Clear/Amber - Light Only
1017	6" Oval Backup Light Clear/White - Light Only
10181	6" Oval Clearance Light Blue/White - Light Only
1023	Light Bar Tail/Brake Light Center Mount Red/Red
1031	2" Round Side Marker Light Kit Amber
1032	2" Round Side Marker Light Kit Red
1037	6" Oval Grommet
1038	4" Round Grommet
1039	5" Rectangular Grommet
1040	3-Wire Plug





# FOR JEEPS

## LED SYSTEMS FOR JEEP JK



#366 - Windshield System



These systems are a great, and simple way to add extra LED lighting power to your Jeep JK.

- Complete systems include KC C-Series LED light bars, mounting brackets with all necessary hardware and wiring harness with waterproof connectors
- Heavy duty steel mounting brackets feature a black powder coat finish and are made in the U.S.A.
- Bracket sets also available separately

Part#	Description
366	JK LED System - C50, Windshield Brackets & Harness
367	JK LED System - C30, Hood Mount Brackets & Harness
368	JK LED System - C20, Grille Mount Brackets & Harness



#367 - Hood System



#368 - Grille System



## LIGHT MOUNTING BRACKETS FOR JEEPS

### Windshield Hinge Light Mounting Brackets

- Available for Jeep Wrangler YJs, TJs & JKs
- Accepts all KC lights
- Black powder coat finish
- Packed in pairs

Part#	Year	Description	Finish
7311	1997-06	TJ Wrangler Brackets	Black
7316	2007-14	JK Wrangler Brackets	Black
7317	2007-14	JK Side Mount Brackets	Black
7321	1976-95	CJ7 & YJ Wrangler Brackets	Black



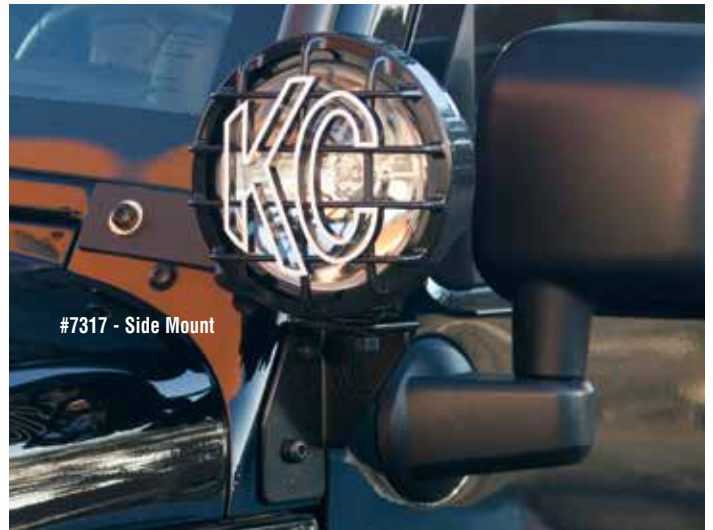
#7311



#7317



#7321



#7317 - Side Mount



#7409

Part #	Description
7409	JK Wrangler Tube Style Hood Mount Lite Bar



#492

## REPLACEMENT BUMPER LIGHTS

Upgrade your stock JK bumper lights with powerful state-of-the-art KC LZR Series 4" round LED lights.

- System includes two LZR Series 4" round LED lights, mounting brackets and hardware
- Wiring harness adapters feature waterproof connectors and plug directly into the factory wiring
- For off-road use only

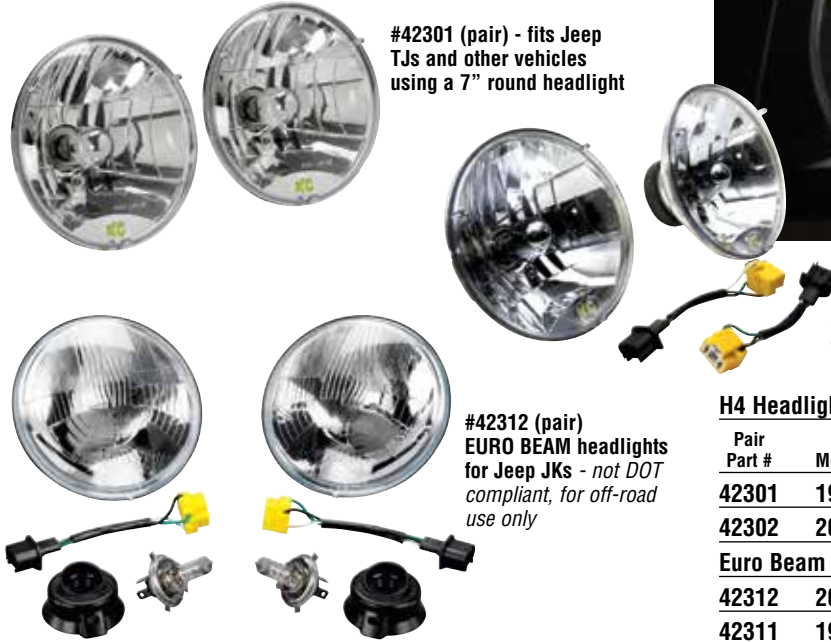
Part#	Year	Description
492	2007-09	LZR 4" Round LED JK Bumper Light System



## KC HILITES REPLACEMENT HEADLIGHTS

### H4 7" Replacement Headlights

- DOT approved KC replacement headlight
- Includes 55/60-watt H4 halogen bulb
- Features unbreakable hard coated Lexan® lens and computer designed multi-surface reflector for superior optics



#42301 (pair) - fits Jeep TJs and other vehicles using a 7" round headlight

#42302 (pair) - headlights with jumpers for Jeep JKs

#42312 (pair) EURO BEAM headlights for Jeep JKs - not DOT compliant, for off-road use only

#### H4 Headlights

Pair Part #	Model/Description	Watts	Diameter
42301	1997-06 Jeep Wrangler TJ	55/60	7.00"
42302	2007-14 Jeep Wrangler JK	55/60	7.00"

#### Euro Beam Headlights (for off-road use only)

42312	2007-14 Jeep Wrangler JK	55/60	7.00"
42311	1997-06 Jeep Wrangler TJ	55/60	7.00"

### LED 7" Replacement Headlights

KC LED replacement headlights provide a dramatic improvement in lighting performance and night time vision.

- State-of-the-art optics and diode technology provide a crisp beam with a wider, more even pattern and a color temperature that closely matches natural daylight
- Solid-state design and rugged construction provides exceptional long life performance
- DOT approved direct replacement with standard H4 3-blade terminals integrated directly into the cast alloy housing
- Proudly made in USA

#42321 - Pair Pack for Jeep JK or 7" H13 Headlight  
Includes H13 to H4 adapter harness



	LOW BEAM	HIGH BEAM
Light Source	2 LED chips	
Lumens	1100	1650
Current Draw @ 12.8 Volts	1.5 Amps	1.9 Amps
Power Consumption	20 Watts	25 Watts
Color Temperature	5400k - 6300k	
Housing Material	Heavy-duty cast aluminum	
Lens	UV- and impact-resistant, hard-coated polycarbonate	
Reflector	Vacuum metallized	



These images show the difference between standard halogen sealed beams and KC LED headlights. They were taken in the same vehicle, in the same spot, with the same exposure settings



# LITE BARS



KC Lite Bars are a great and simple way to mount additional lighting to your truck, Jeep or SUV.

- Durable textured black powder coat finish
- Light tabs for mounting 2, 3, 4 or 5 KC lights depending on application
- Bolts securely to existing factory holes - no drilling required for installation



# LITE BARS



#7417



#7467



#7420

## KC Lite Bars

Part #	Year	Description	No. Of Light Mounting Tabs
<b>JEEP</b>			
7400	1997-06	TJ Wrangler	2-Tab
7404	1997-06	TJ Hood Mount	3-Tab
74071	2007-14	JK Wrangler	2-Tab
7409	2007-14	JK Hood Mount	2-Tab
7416	1997-06	TJ Overhead Windshield Lite Bar	4-Tab
7417	2007-14	JK Overhead Windshield Lite Bar	5-Tab
<b>FORD</b>			
7420	1999-07	Super Duty	4-Tab
74241	2008-14	Super Duty	4-Tab
7427	2006-09	Edge	2-Tab
74281	2010-14	F-150 Raptor	4-Tab
7429	2009-14	F-150	4-Tab
<b>DODGE</b>			
7430	2003-09	Ram 2500-3500 4WD	4-Tab
7434	2006-14	Ram 2500 HD 4WD	4-Tab
<b>CHEVROLET / GMC</b>			
74371	2007-13	1500 4WD	2-Tab
74381	2007-10	2500HD 4WD	2-Tab
74382	2011-14	2500/3500HD 2WD/4WD with tow hooks	2-Tab
<b>TOYOTA</b>			
74521	2005-13	Tacoma	4-Tab
74531	2007-13	FJ Cruiser	2-Tab
<b>UNIVERSAL</b>			
7467	n/a	Universal Fit*	2-Tab
<b>LED LIGHT BAR ADAPTER BRACKETS</b>			
73261	n/a	For C10 LED Light Bar	2 or 4-Tab
73262	n/a	For C20 LED Light Bar	2 or 4-Tab
73263	n/a	For C30 LED Light Bar	2 or 4-Tab
73264	n/a	For C40 LED Light Bar	2 or 4-Tab
73265	n/a	For C50 LED Light Bar	2 or 4-Tab

\* Requires drilling to mount

Note: lights not included



### LED Light Bar Universal Adapter Brackets

- For mounting KC C-Series LED light bars on KC front end lite bars
- Brackets available for C10 thru C50 LED light bars
- For use on 2 and 4-tab light bars and includes mounting hardware





# ACCESSORIES

## 8" Buggy Headlights

KC 8" Buggy Headlights are great for "street legal" buggy applications or getting back to your campsite after a night cruise without blinding your neighbors.

- DOT approved Hi/Lo beam headlight assemblies
- 55/60-watt H4 halogen bulb
- All Stainless Steel eight inch dia. Rally 800 housings
- Available in either polished or black painted finishes
- Sold individually

### 8" Buggy Headlights

Single Part #	Description
1810	Polished Stainless Steel Buggy Headlight
1811	Black Painted Stainless Steel Buggy Headlight



## Light Locks

Helps prevent theft of your lights. Each set includes one socket key and two special keyed nuts.

#7221 - 1/2" x 13, fits Daylighters, 6" x 9" rectangular and Rally 800 lights. *(does not fit SlimLites)*



## Acrylic Light Shields

Made from super-tough clear acrylic plastic, they simply snap in place to protect the front of your lights. The round shields fit SlimLites, 6" HID's and Daylighters. **Packed in pairs.**

Available in color tints:

- #7207 - Clear
- #7206 - Amber
- #7205 - Red
- #7204 - Blue





## Tube Clamp Mounting Brackets

These 2-piece KC Tube Clamp light and accessory mounting brackets are made in the U.S.A. from super tough injected molded glass filled nylon composite.

- Great for adding lights to a light bar or tube bumper without having to weld on extra light tabs
- Use them to mount a whip antenna or auxiliary rear view mirror on a sand rail or UTV
- Uses for this unique and handy accessory are only limited by your imagination
- 5 sizes available to fit from 3/4" to 3" round tubing
- Sold individually



### Tube Clamp Mounting Brackets

Part#	Description
7300	3/4" to 1" with the supplied rubber spacers
7301	1-1/4" to 1-1/2" with the supplied rubber spacers
7307	1-3/4" to 2" with the supplied rubber spacers
7308	2-1/4" to 2-1/2" with the supplied rubber spacers
7309	2-3/4" to 3" with the supplied rubber spacers



#7300 – 3/4" to 1"

#7307 – 1-3/4" to 2"

#7308 – 2-1/4" to 2-1/2"

#7309 – 2-3/4" to 3"





# ACCESSORIES

## LIGHT COVERS

### Stone Guards

Made from tough ABS plastic and fit 6" round Daylighters®, SlimLites® and 8" Rally 800 lights. *WILL NOT fit Apollo Series lights.*  
**Packed individually.**



#7210 - fits 6" Daylighters & SlimLites  
#7214 - fits 8" Rally 800



#7213 - fits 6" Daylighters & SlimLites

### Acrylic Light Covers

Formed specifically to fit KC CUBE and C3 compact LED lights.  
**Packed individually.**



#72000 - CUBE Black



#72001 - CUBE Amber



#72002 - C3 Black



#72003 - C3 Amber

### KC Soft Vinyl & Hard Plastic Light Covers

Available in high quality soft vinyl and hard plastic to protect your lights and keep the lenses clean.  
**Hard plastic covers are packed individually. Soft vinyl covers are packed in pairs.**

#### Soft Vinyl - Round



8"	5801	N/A	5800	N/A	N/A	5819
6"	5101	5205	5100	5110	5117	5119
5"	N/A	N/A	5400	N/A	N/A	N/A

#### Hard Plastic - Round



6"	5106	5105	5202	5200	5203	5124
----	------	------	------	------	------	------

#### Hard Plastic - Rectangular

5" x 7"	5309
6" x 9"	5609



2" x 6"	5709
---------	------



## WIRING KITS



#6315

### KC Pre-terminated Relay Wiring Harness

Includes a heavy duty 40 amp relay, rocker switch, waterproof wiring connectors, fuses and mounting hardware. Made to hook up any two KC lights.

**Part #6315 - Relay Harness Kit**

**Part #6316 - Relay Harness without switch for use with #6315 to wire two additional lights**

**Part #6317 - 4 ft. wire extension**

**Part #6318 - 8 ft. wire extension**

**Part #3300 - 40 Amp Relay only**

**Part #95602 - HID Harness for two lights**

### Non-Relay Wiring Kit

For wiring two, maximum 55-watt (110-watts total) lights. Includes high quality wire with waterproof connectors, illuminated rocker switch and hardware.

**Part # 6308 - Complete Kit for 2 Lights**



#6310

### KC Wiring Harness for Roof Mounted Light Bars

Provides a clean factory installed appearance. Designed to operate two lights, this fully assembled harness includes a 40 amp relay and is ready to plug into the lights. Additional plugs are provided for easy light bar removal.

**Part #6310 - Pre-terminated Harness for Roof Mounted Lights**



#6308

## Cyclone Underhood Lighting Kits

These ready-to-install underhood lighting kits include KC Cyclone LED light(s), wiring and water proof switch.



#350



#351



#352

### Cyclone Kit

Part #	Description
<b>350</b>	<b>Universal DIY Cyclone LED Light Kit</b> – one light, weatherproof switch, bulk wire & butt connectors, mounting hardware
<b>351</b>	<b>JK Under Hood LED Light Kit</b> – one light, wiring harness w/ weatherproof switch, mounting hardware
<b>352</b>	<b>Raptor Under Hood LED Light Kit</b> – two lights, wiring harness w/ weatherproof switch, mounting hardware
<b>353</b>	<b>Tacoma Under Hood LED Light Kit</b> – two lights, wiring harness w/ weatherproof switch, mounting hardware



# REPLACEMENT PARTS

## REPLACEMENT LIGHT BULBS & LENSES

### Replacement Bulbs

KC Replacement Bulbs are available for all KC quartz halogen lights.

Bulb Part #	Watts	Color	Description
2550	35	Clear	H-3 Halogen
2551	55	Clear	H-3 Halogen
2554	55/60	Clear	H-4 Halogen
2766	130	Clear	H-3 Halogen
2767	100	Clear	H-3 Halogen
2769	100	Clear	H-3 24V Halogen



### Replacement Lenses

KC Replacement Lenses are identical to the originals and available for all KC lights with replaceable lenses or lens/reflector.



Lens Part #	Type	Color	Description
4203	Driving	Clear	8" Round lens/reflector
4205	Driving	Clear	6" Round lens/reflector
4206	Fog	Clear	6" Round lens/reflector
4207	Driving	Clear	5" Round lens/reflector
4208	Fog	Clear	5" Round lens/reflector
4210	Spot	Clear	8" Round lens/reflector
4211	Spot	Clear	5" Round lens/reflector
4213	Spot	Clear	6" Round lens/reflector
4214	Spot	Clear	6x9 Rectangular lens/reflector
4215	Driving	Clear	6x9 Rectangular lens/reflector

Lens Part #	Type	Color	Description
4217	Wide Beam	Clear	3x5 Rectangular lens/reflector
4218	Driving	Clear	4" Rally 400
4219	Flood	Clear	6" Round lens/reflector
4625	Emergency	Red	2x6 Rectangular lens
4626	Emergency	Blue	2x6 Rectangular lens
4630	Fog	Clear	2x6 Rectangular lens
4631	Fog	Amber	2x6 Rectangular lens
4633	Flood	Clear	2x6 Rectangular lens
4639	Spot	Clear	2x6 Rectangular lens

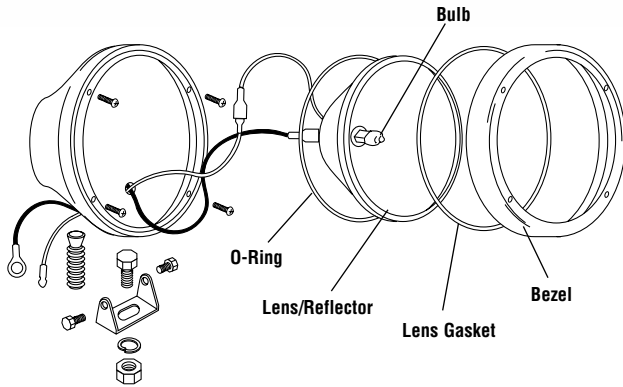


# REPLACEMENT PARTS

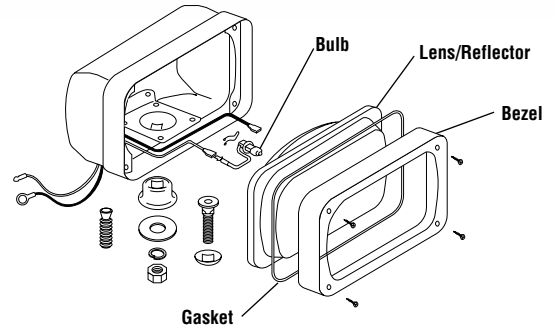


## REPLACEMENT PARTS REFERENCE GUIDE

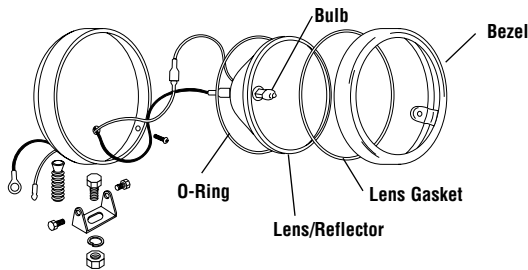
### RALLY 800 - 8" Round Housings



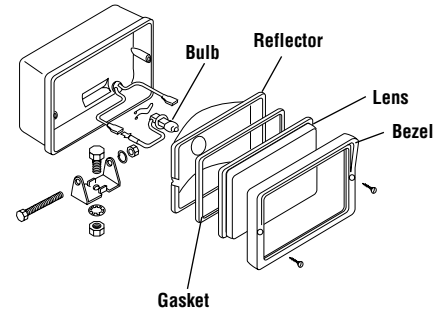
### 69 SERIES - 6"x 9" Rectangular Housings



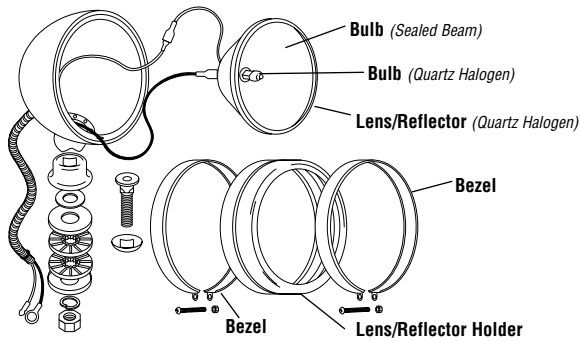
### SlimLite - 6" Round Housings



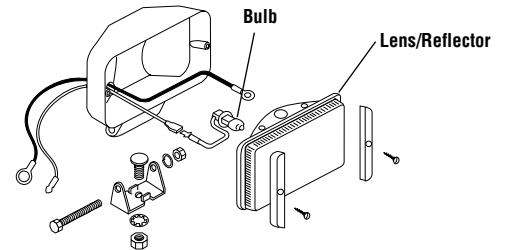
### 26 SERIES - 2"x 6" Rectangular Housings



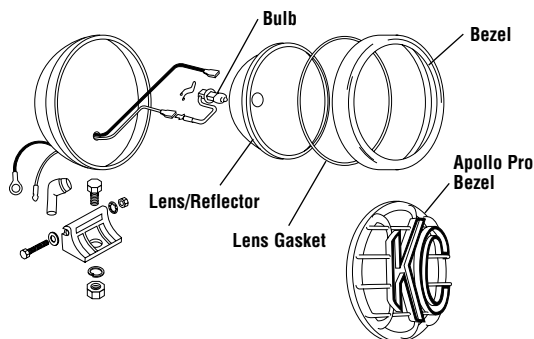
### DAYLIGHTER - 6" Round Housings



### 35 SERIES - 3"x 5" Rectangular Housings



### APOLLO / APOLLO PRO - 5" & 6" Round Housings





**KC HiLiTES, Inc.**

**2843 West Avenida de Luces • Williams, Arizona U.S.A. 86046**

**928-635-2607 • fax: 928-635-2486 • e-mail: [info@kchilites.com](mailto:info@kchilites.com)**

**website: [kchilites.com](http://kchilites.com)**