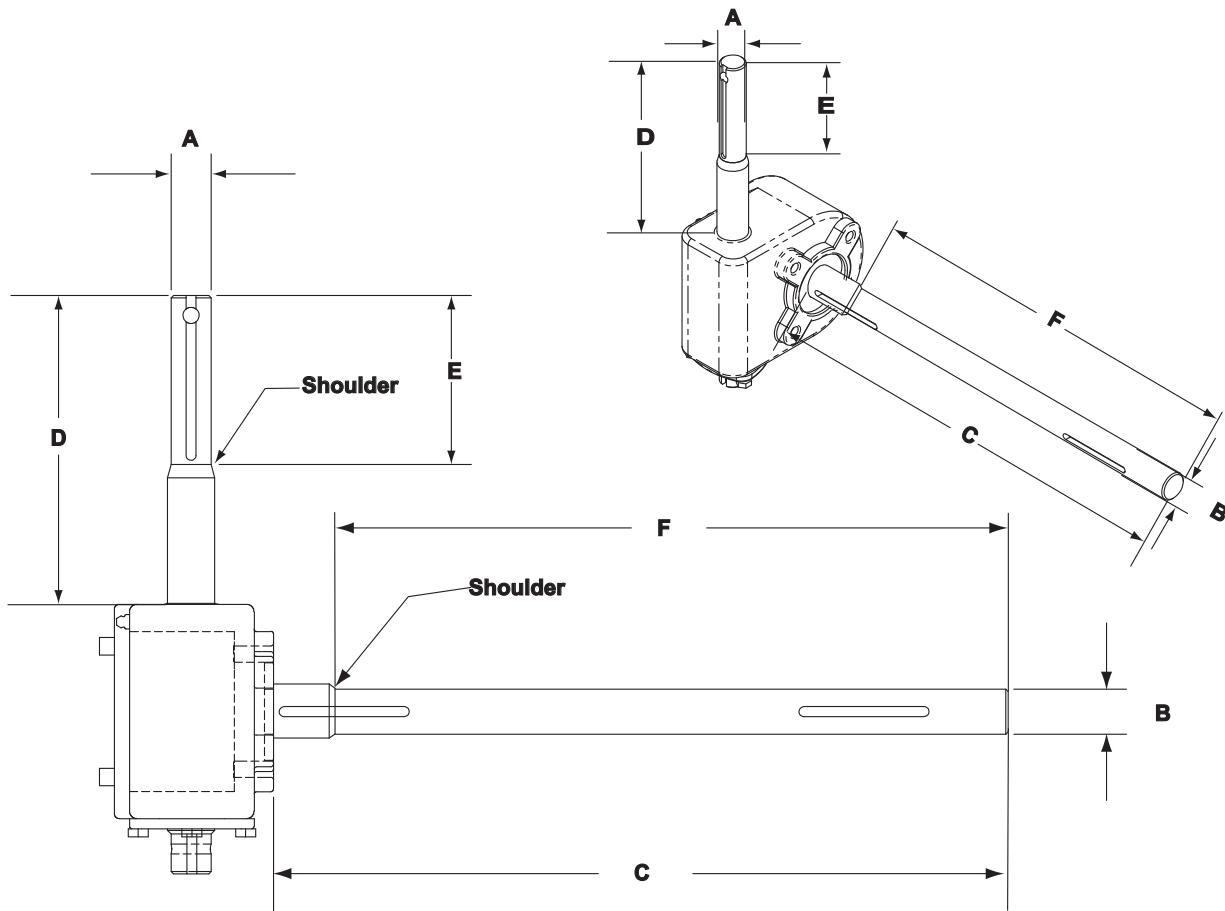


# SPREADERS

## SPREADER GEAR CASE REFERENCE CHART



Part Number	MEASUREMENT						Comments
	A	B	C	D	E	F	
	Input Shaft OD	Output Shaft OD	Output Shaft Length	Input Shaft Length	Input Shaft Length to Shoulder	Output Shaft Length to Shoulder	
<b>POLY-CASTER™</b>							
95756	5/8	3/4			5	2-5/8	
<b>POLY-CASTER II</b>							
95567	1	1-1/8	18-3/8		4-7/32		Center Drive
<b>SPEED-CASTER™ 2</b>							
68803	5/8	3/4		3-3/16		2-5/8	S/N 202650 & higher
65762	5/8	3/4		3-3/16		2-5/8	S/N 202389 – 202649
<b>Non PRO-CASTER™</b>							
68374 <sup>2</sup>	1	1-1/8	14-3/8	7-7/8			Reg Capacity
68412 <sup>2</sup>	1	1-1/8	14-3/8	7-7/8			Reg Capacity/Hyd
9171	1	1-1/8	2	8-3/8			Reg Capacity
68384 <sup>3</sup>	1	1-1/8	18-3/8	7-7/8			High Capacity/Gas
68463 <sup>3</sup>	1	1-1/8	18-3/8	7-7/8			High Capacity/Hyd
<b>PRO-CASTER</b>							
94349	1	1-1/8	18-3/8		4-7/32		Direct Drive <sup>1</sup>
95567	1	1-1/8	18-3/8		4-7/32		Center Drive

<sup>1</sup> Stub shaft directly below input shaft

<sup>2</sup> 68374 and 68412 both use the 68732 gear case

<sup>3</sup> 68384 and 68463 both use 68733