
PE-TE-16-35

Table of Contents

Book Page	Page Number
Final Assembly TL 15-20	4
Final Assembly 20	5
Final Assembly 15-20 202107	7
Final Assembly TL 25-30	9
Final Assembly 25-30	10
Final Assembly 25-30 202107	12
Dual Steps Kit	14
Single Step Kits	20
Flexible Steps Kits	24
Main Assembly 15-20 Painted	29
Main Assembly 15-20 Painted, Pins and Bushings	31
Main Assembly 15-20 Galvanized	33
Main Assembly 15-20 Galvanized, Pins and Bushings	35
Main Assembly 25-30 P STS	37
Main Assembly 25-30 P STS P and B	39
Main Assembly 25-30 G STS	41
Main Assembly 25-30 G STS P and B	43
Main Assembly 25-30 P DTS	45
Main Assembly 25-30 P DTS P and B	47
Main Assembly 25-30 G DTS	49
Main Assembly 25-30 G DTS P and B	51
Steel Platform and Flipover	53
Steel Platform and Flipover wo TB	55
Steel Platform and Flipover w TB	57

Steel Platform and Aluminum Flipover 202106	59
Platform Assembly (Steel)	61
Aluminum Platform and Flipover Assembly 20	63
Aluminum Platform and Flipover Assembly 15-20 202107	65
Aluminum Platform and Flipover Assembly 25-30	67
Aluminum Platform and Flipover Assembly 25-30 202107	69
Platform Assembly 20 (Aluminum)	71
Platform Assembly 15-20 (Aluminum) 202107	73
Platform Assembly 25-30 (Aluminum)	75
Platform Assembly 25-30 (Aluminum) 202107	77
Flipover with Single Cart Stop 20	79
Flipover with Single Cart Stop 15-20 202107	81
Flipover with Single Cart Stop 25-30	83
Flipover with Single Cart Stop 25-30 202107	85
Flipover with Dual Cart Stops 20	87
Flipover with Dual Cart Stops 15-20 202107	89
Flipover with Dual Cart Stops 25-30	91
Flipover with Dual Cart Stops 25-30 202107	93
Hydraulic Systems GD 15-20	95
Hydraulic Systems GD 25-30	97
Hydraulic Systems PD 15-20	99
Hydraulic Systems PD 25-30	101
Pump Assembly GD 12V	103
Pump Assembly GD 24V	105
Pump Assembly PD	107
12 VDC Power Unit GD	109
24 VDC Power Unit GD	111
12 VDC Power Unit PD	113
Control Switch and Power Cable	115
Optional Battery Box Electrical Components	117

Optional Battery Box Assembly	119
Optional Battery Box	121
Decals 15-20	123
Decals 25-30	125

SPARE PARTS LIST

TE-15/20/25/30

TE-15/20
TUK-A-WAY® SERIES

Final Assembly TE-20 (Aug 2021 to present)

Final Assembly TE-15/20 (Jan 2021 to Jul 2021)

**Pos** **CPN****Qty** **Description**

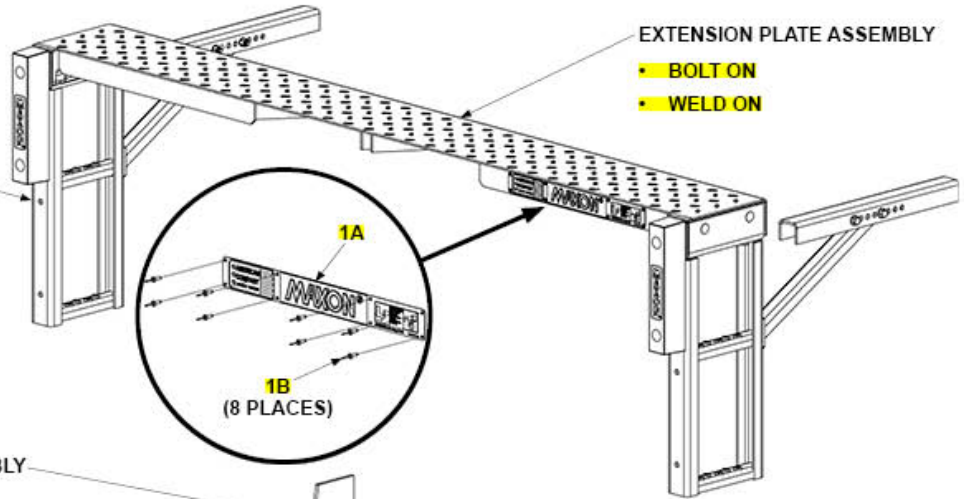
SPARE PARTS LIST

TE-15/20/25/30

TE-20 FINAL ASSEMBLY

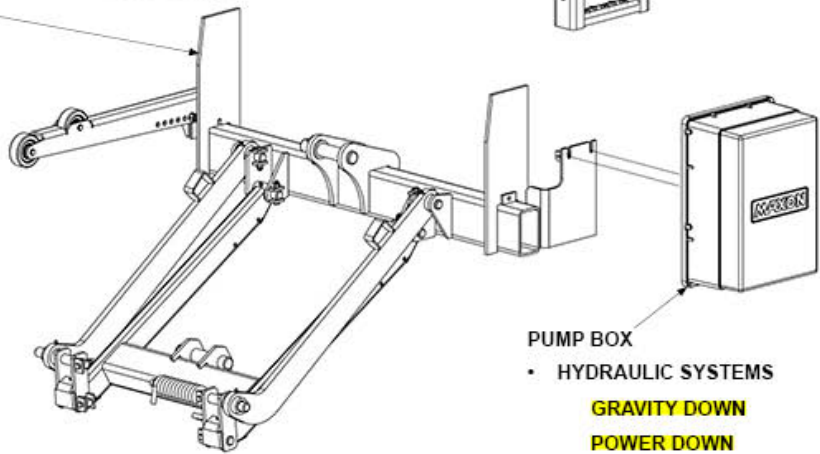
AUG 2021 to present

- STEP KITS**
- DUAL
 - SINGLE
 - FLEXIBLE

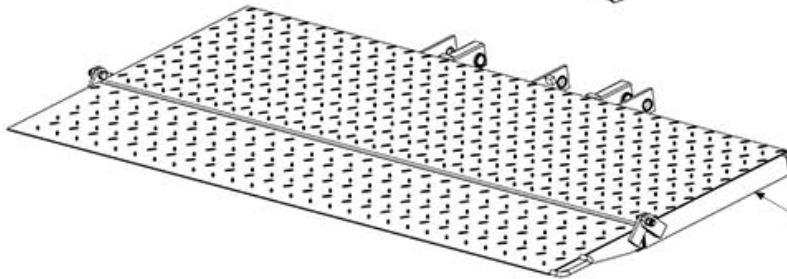


- EXTENSION PLATE ASSEMBLY**
- BOLT ON
 - WELD ON

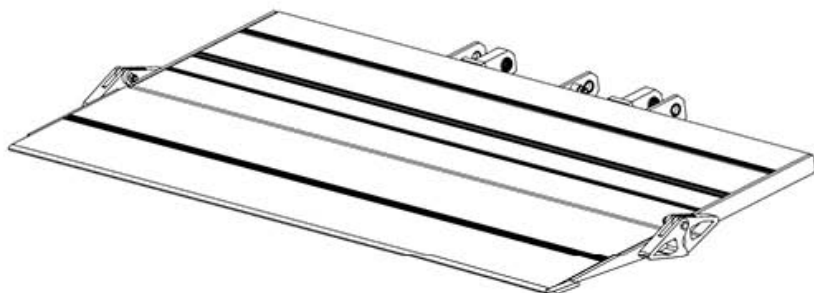
- MAIN ASSEMBLY**
- PAINTED
 - GALVANIZED



- PUMP BOX**
- HYDRAULIC SYSTEMS
 - GRAVITY DOWN
 - POWER DOWN
 - PUMP COVER AND MOUNTING PLATE ASSEMBLY
 - GRAVITY DOWN 12V
 - GRAVITY DOWN 24V
 - POWER DOWN



- STEEL PLATFORM AND FLIPOVER ASSEMBLY**



- ALUMINUM PLATFORM AND FLIPOVER ASSEMBLY**



04/28/2023

Page

6

of

126

Spare Parts

SPARE PARTS LIST

TE-15/20/25/30

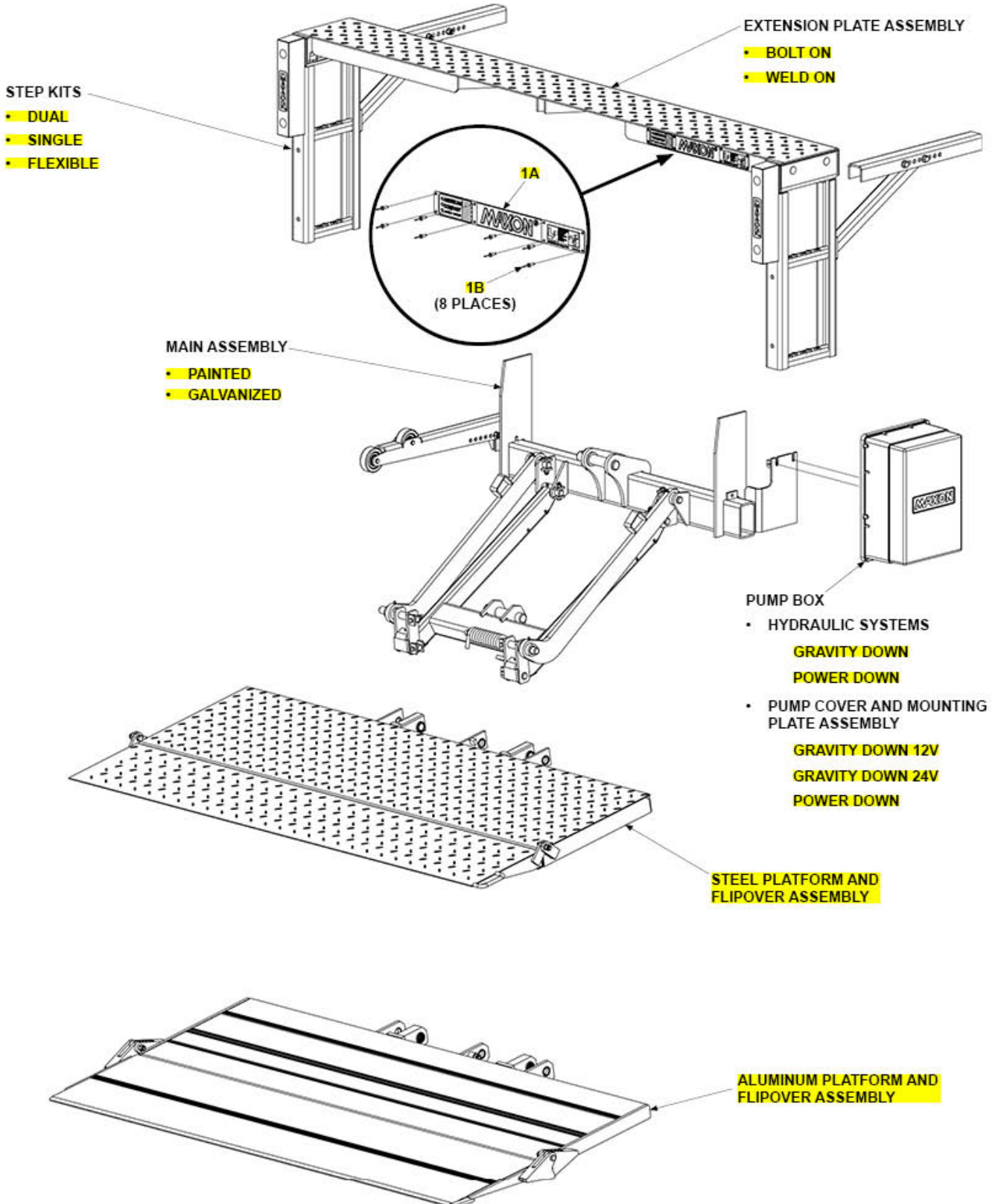
Pos	CPN	Qty	Description
1 Bolt	299245-01	1	EXT PL ASSY,STD TUKS,96IN,BOLT ON
1 Bolt	299245-01G	1	EXT PL ASSY,STD TUKS,96IN, BOLT ON,G
1 Bolt	299245-02	1	EXT PL ASSY,STD TUKS,102IN, BOLT ON
1 Bolt	299245-02G	1	EXT PL ASSY,STD TUKS,102IN, BOLT ON,G
1 Weld	299235-01	1	EXT PL ASSY,STD TUKS,96IN,WELD ON
1 Weld	299235-02	1	EXT PL ASSY,STD TUKS,102IN,WELD ON
1A	280004-01	1	PLATE, MAXON NAME & DECALS
1B	904005-2	8	RIVET,BLIND SSTL DOME.187X.565

SPARE PARTS LIST

TE-15/20/25/30

TE-15/20 FINAL ASSEMBLY

JAN 2021 to JUL 2021



SPARE PARTS LIST

TE-15/20/25/30

Pos	CPN	Qty	Description
1 Bolt	299245-01	1	EXT PL ASSY,STD TUKS,96IN,BOLT ON
1 Bolt	299245-01G	1	EXT PL ASSY,STD TUKS,96IN, BOLT ON,G
1 Bolt	299245-02	1	EXT PL ASSY,STD TUKS,102IN, BOLT ON
1 Bolt	299245-02G	1	EXT PL ASSY,STD TUKS,102IN, BOLT ON,G
1 Weld	299235-01	1	EXT PL ASSY,STD TUKS,96IN,WELD ON
1 Weld	299235-02	1	EXT PL ASSY,STD TUKS,102IN,WELD ON
1A	280004-01	1	PLATE, MAXON NAME & DECALS
1B	904005-2	8	RIVET,BLIND SSTL DOME.187X.565

SPARE PARTS LIST

TE-15/20/25/30

TE-25/30
TUK-A-WAY® SERIES

Final Assembly TE-25/30 (Aug 2021 to present)

Final Assembly TE-25/30 (Jan 2021 to Jul 2021)

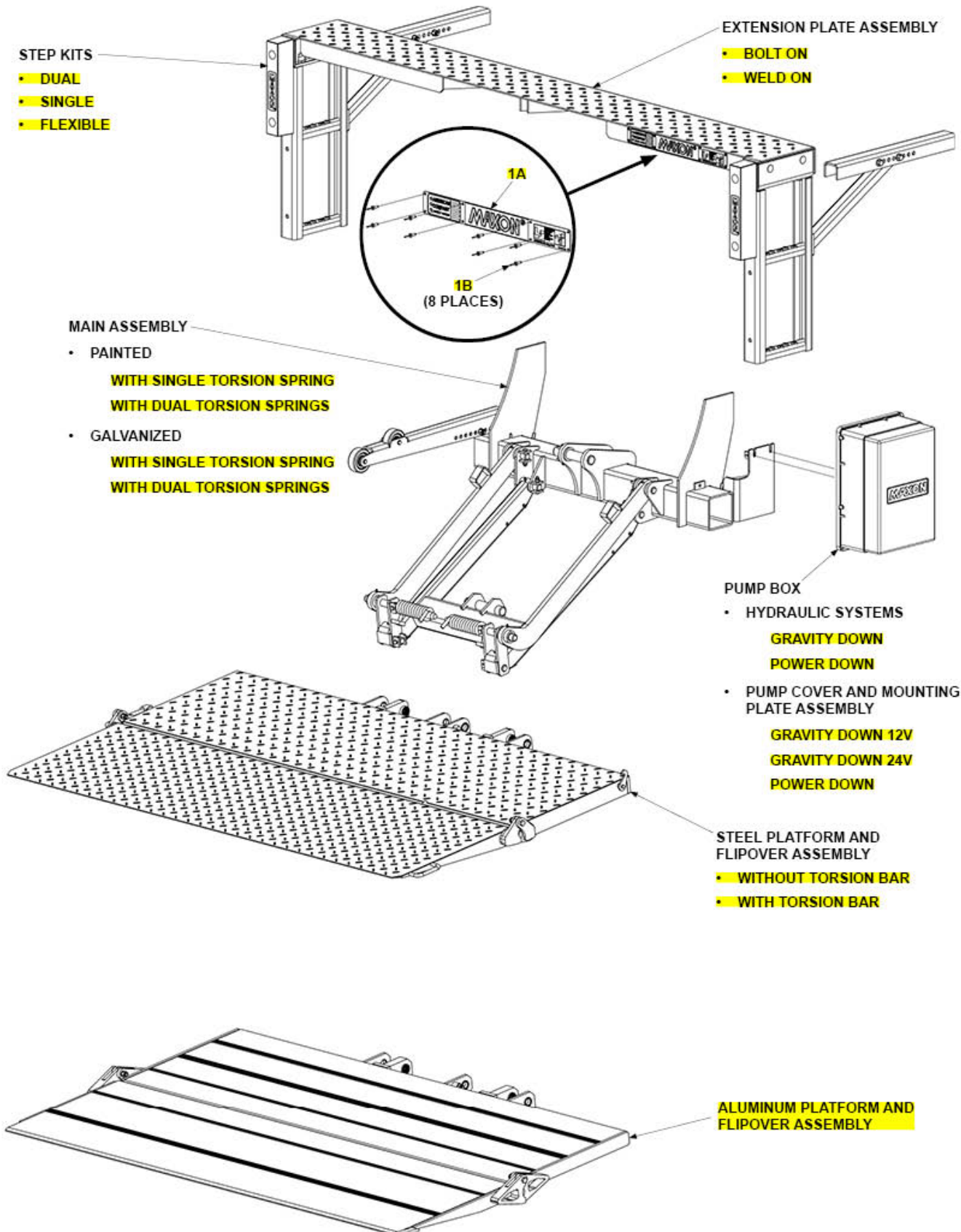
**Pos** **CPN****Qty** **Description**

SPARE PARTS LIST

TE-15/20/25/30

TE-25/30 FINAL ASSEMBLY

AUG 2021 to present



SPARE PARTS LIST**TE-15/20/25/30**

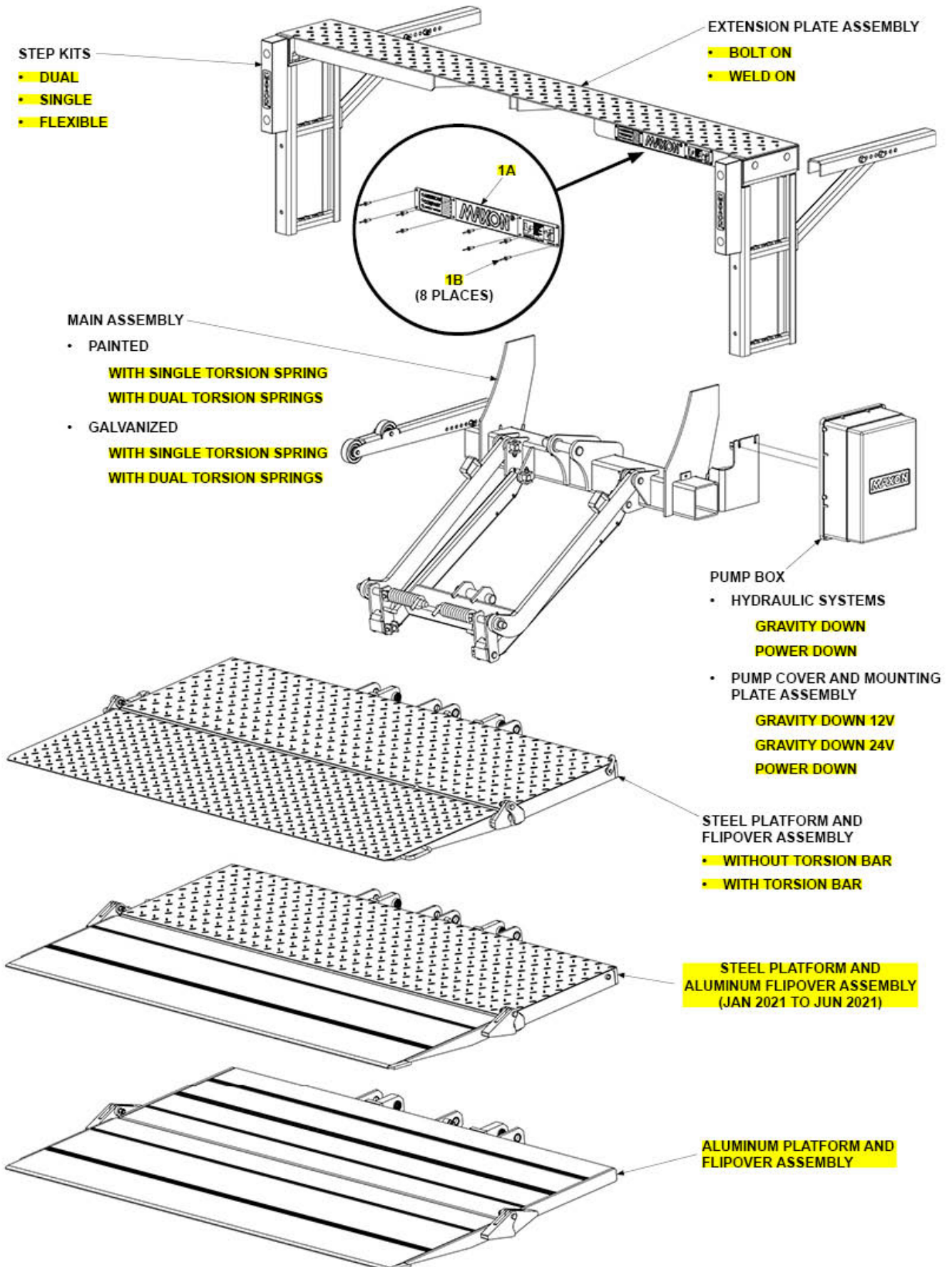
Pos	CPN	Qty	Description
1 Bolt	299245-01	1	EXT PL ASSY,STD TUKS,96IN,BOLT ON
1 Bolt	299245-01G	1	EXT PL ASSY,STD TUKS,96IN, BOLT ON,G
1 Bolt	299245-02	1	EXT PL ASSY,STD TUKS,102IN, BOLT ON
1 Bolt	299245-02G	1	EXT PL ASSY,STD TUKS,102IN, BOLT ON,G
1 Weld	299235-01	1	EXT PL ASSY,STD TUKS,96IN,WELD ON
1 Weld	299235-02	1	EXT PL ASSY,STD TUKS,102IN,WELD ON
1A	280004-01	1	PLATE, MAXON NAME & DECALS
1B	904005-2	8	RIVET,BLIND SSTL DOME.187X.565

SPARE PARTS LIST

TE-15/20/25/30

TE-25/30 FINAL ASSEMBLY

JAN 2021 to JUL 2021



SPARE PARTS LIST**TE-15/20/25/30**

Pos	CPN	Qty	Description
1 Bolt	299245-01	1	EXT PL ASSY,STD TUKS,96IN,BOLT ON
1 Bolt	299245-01G	1	EXT PL ASSY,STD TUKS,96IN, BOLT ON,G
1 Bolt	299245-02	1	EXT PL ASSY,STD TUKS,102IN, BOLT ON
1 Bolt	299245-02G	1	EXT PL ASSY,STD TUKS,102IN, BOLT ON,G
1 Weld	299235-01	1	EXT PL ASSY,STD TUKS,96IN,WELD ON
1 Weld	299235-02	1	EXT PL ASSY,STD TUKS,102IN,WELD ON
1A	280004-01	1	PLATE, MAXON NAME & DECALS
1B	904005-2	8	RIVET,BLIND SSTL DOME.187X.565

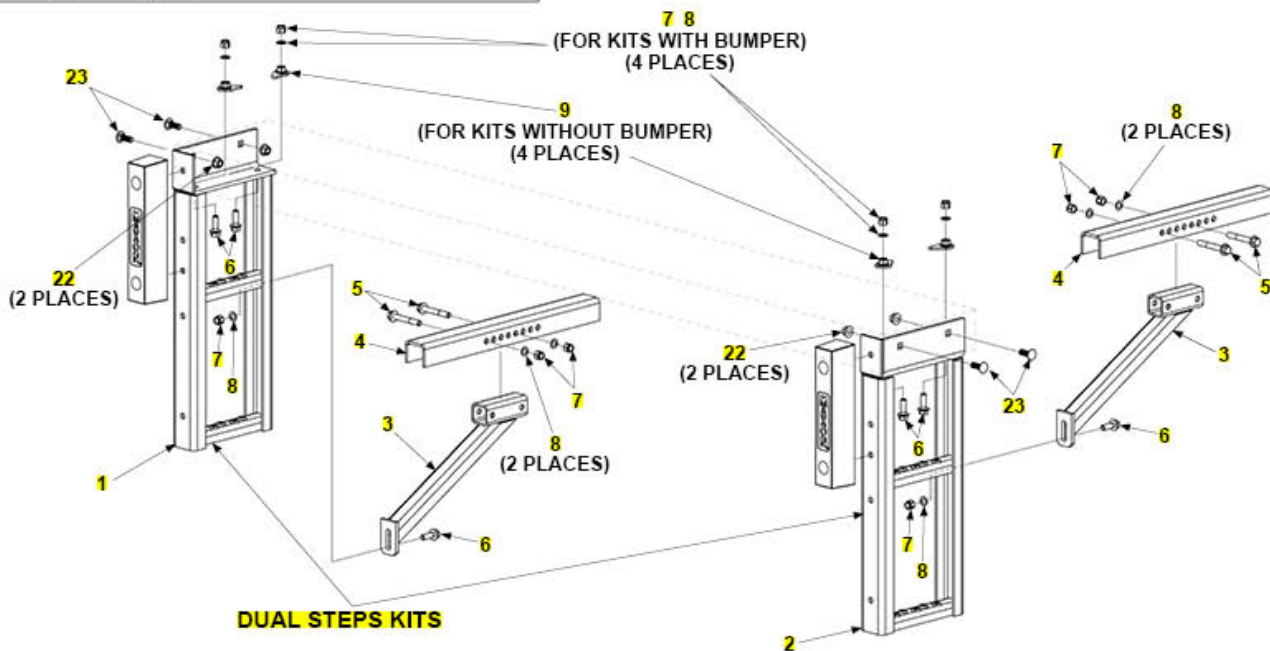
SPARE PARTS LIST

TE-15/20/25/30

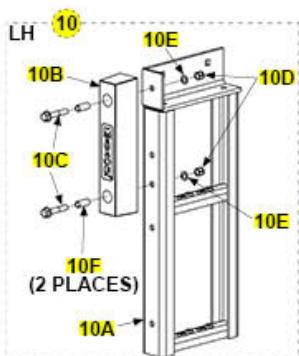
DUAL STEPS KITS

JAN 2018 to present

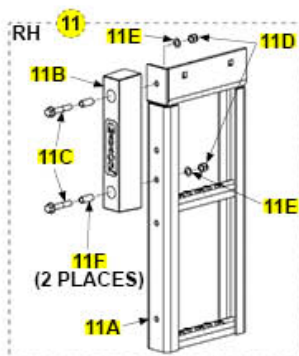
NOTE: Dual steps shown are only compatible with bolt-on extension plates.



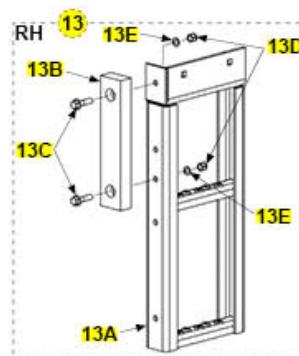
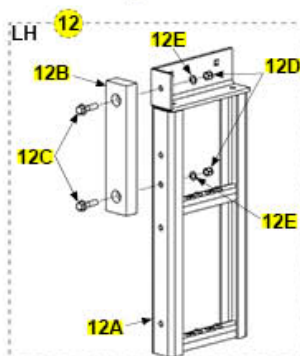
DUAL STEPS KITS



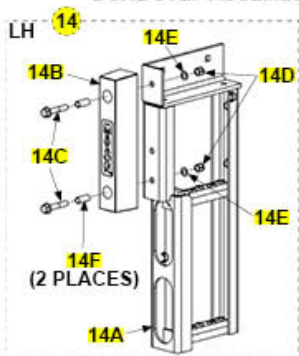
DUAL STEP ASSEMBLY WITH RUBBER BUMPER



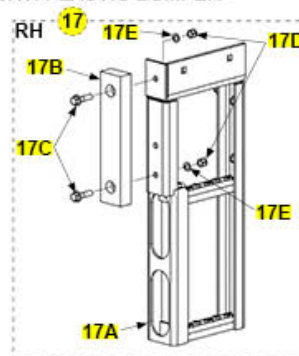
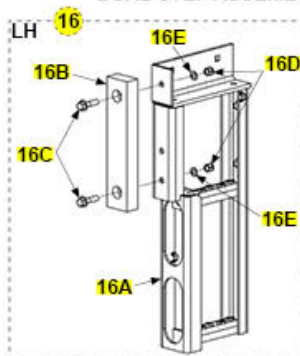
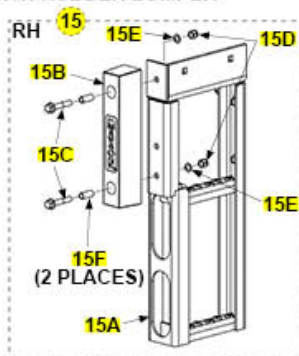
DUAL STEP ASSEMBLY WITH RUBBER BUMPER



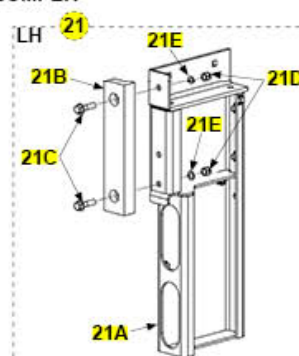
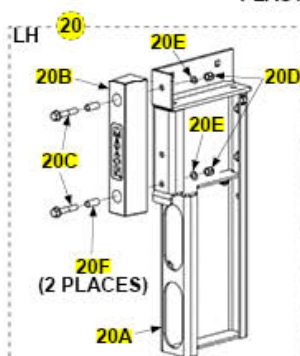
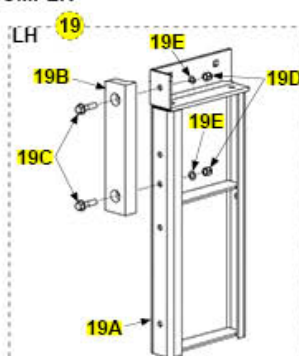
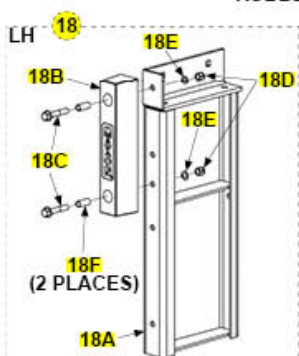
DUAL STEP ASSEMBLY WITH PLASTIC BUMPER



OVAL LIGHT DUAL STEP ASSEMBLY WITH RUBBER BUMPER



OVAL LIGHT DUAL STEP ASSEMBLY WITH PLASTIC BUMPER



DUAL NO STEP ASSEMBLY WITH BUMPER

SPARE PARTS LIST
TE-15/20/25/30

Pos	CPN	Qty	Description
REF	288705-01	1	KIT, DUAL STEPS, 14" RBR BMPRS
REF	288705-01G	1	KIT, DUAL STEPS, 14" RBR BMPRS, G
REF	288705-02	1	KIT, DUAL STEPS, 13.5" PE BMPRS
REF	288705-02G	1	KIT, DUAL STEPS, 13.5" PE BMPRS, G
REF	288705-03	1	KIT, DUAL STEPS, SS NO/STPS, 14" RBR BMPRS
REF	288705-03G	1	KIT, DUAL STEPS, SS NO/STPS, 14" RBR BMPRS,G
REF	288705-04	1	KIT, DUAL STEPS, SS NO/STPS, 13.5" PE BMPRS
REF	288705-04G	1	KIT, DUAL STEPS, SS NO/STPS, 13.5" PE BMPRS,G
REF	288705-05	1	KIT, DUAL STEPS NO BMPRS
REF	288705-05G	1	KIT, DUAL STEPS NO BMPRS, G
REF	288705-06	1	KIT, DUAL STEPS, SS NO/STEPS,NO BMPRS
REF	288705-06G	1	KIT, DUAL STEPS, SS NO/STEPS,NO BMPRS, G
REF	288705-31	1	KIT, DUAL STEPS W/LGHT, 14" RBR BMPRS
REF	288705-31G	1	KIT, DUAL STEPS W/LGHT, 14" RBR BMPRS, G
REF	288705-32	1	KIT, DUAL STEPS W/LGHT, 13.5" PE BMPRS
REF	288705-32G	1	KIT, DUAL STEPS W/LGHT, 13.5" PE BMPRS, G
REF	288705-33	1	KIT, DUAL STEPS W/LGHT, SS NO/STPS, 14" RBR BMPRS
REF	288705-33G	1	KIT, DUAL STEPS W/LGHT, SS NO/STPS, 14" RBR BMPRS,G
REF	288705-34	1	KIT, DUAL STEPS W/LGHT, SS NO/STPS, 13.5" PE BMPRS
REF	288705-34G	1	KIT, DUAL STEPS W/LGHT, SS NO/STPS, 13.5" PE BMPRS,G
REF	288705-35	1	KIT, DUAL STEPS W/LGHT, NO BMPRS
REF	288705-35G	1	KIT, DUAL STEPS W/LGHT, NO BMPRS, G
REF	288705-36	1	KIT, DUAL STEPS W/LGHT, SS NO/STEPS,NO BMPRS
REF	288705-36G	1	KIT, DUAL STEPS W/LGHT, SS NO/STEPS,NO BMPRS, G
1	288675-01	1	DUAL STEP WLDM, L

SPARE PARTS LIST

TE-15/20/25/30

Pos	CPN	Qty	Description
1	288675-01G	1	DUAL STEP WLDMT, LH,G
1	288675-03	1	DUAL STEP WLDMT, NO STEP, LH
1	288675-03G	1	DUAL STEP WLDMT, NO STEP, LH, G
1	288675-31	1	DUAL STEP WLDMT, W/OVL LGHT, LH
1	288675-31G	1	DUAL STEP WLDMT, W/OVL LGHT, LH,G
1	288675-33	1	DUAL STEP WLDMT, W/OVL LGHT, NO STP, LH
1	288675-33G	1	DUAL STEP WLDMT, W/OVL LGHT, NO STP, LH,G
2	288675-02	1	DUAL STEP WLDMT, RH
2	288675-02G	1	DUAL STEP WLDMT, RH,G
2	288675-32	1	DUAL STEP WLDMT, W/OVL LGHT, RH
2	288675-32G	1	DUAL STEP WLDMT, W/OVL LGHT, RH, G
3	288688-01	2	SUPPORT WLDMT, STEPS
3	288688-01G	2	SUPPORT WLDMT, STEPS, GAL
4	288419-01	2	CHANNEL, STEP MOUNT
5	901024-10	4	BOLT HEX FRAME .5-13X3.5"LG
6	901024-5	6	BOLT HEX FRAME .5-13X1.5"LG
7	901010	10	NUT, NYLON LOCK 1/2-13 ZC
8	902000-14	10	WASHER, FLAT .500X.063 THK
9	283700-01	4	TEAR DROP WLDMT
10	288690-01	1	DUAL STEP ASSY, LH, 14"RBR BMPR
10	288690-01G	1	DUAL STEP ASSY, LH, 14"RBR BMPR,G
10A	288675-01	1	DUAL STEP WLDMT, LH
10A	288675-01G	1	DUAL STEP WLDMT, LH, G
10B	905344-02	1	BUMPER,RUBBER, BLK 2.5X3X14
10C	901024-9	2	BOLT HEX FRAME .5-13X2.75"LG
10D	901010	2	NUT, NYLON LOCK 1/2-13 ZC
10E	902000-14	2	WASHER, FLAT .500X.063 THK
10F	092036-10	2	RD MECH TUBE.625ODX.058WX1.44L
11	288690-02	1	DUAL STEP ASSY, RH, 14"RBR BMPR
11	288690-02G	1	DUAL STEP ASSY, RH, 14"RBR BMPR,G
11A	288675-02	1	DUAL STEP WLDMT, RH
11A	288675-02G	1	DUAL STEP WLDMT, RH, G
11B	905344-02	1	BUMPER,RUBBER, BLK 2.5X3X14

SPARE PARTS LIST

TE-15/20/25/30

Pos	CPN	Qty	Description
11C	901024-9	2	BOLT HEX FRAME .5-13X2.75"LG
11D	901010	2	NUT, NYLON LOCK 1/2-13 ZC
11E	902000-14	2	WASHER, FLAT .500X.063 THK
11F	092036-10	2	RD MECH TUBE.625ODX.058WX1.44L
12	288690-03	1	DUAL STEP ASSY, LH, 13.5"PE BMPR
12	288690-03G	1	DUAL STEP ASSY, LH, 13.5"PE BMPR,G
12A	288675-01	1	DUAL STEP WLDMT, LH
12A	288675-01G	1	DUAL STEP WLDMT, LH, G
12B	905386-01	1	BUMPER,PLASTIC, 1.5 X 2.85 X13.5 LG
12C	901024-7	2	BOLT HEX FRAME .5-13X2"LG
12D	901010	2	NUT, NYLON LOCK 1/2-13 ZC
12E	902000-14	2	WASHER, FLAT .500X.063 THK
13	288690-04	1	DUAL STEP ASSY, RH, 13.5"PE BMPR
13	288690-04G	1	DUAL STEP ASSY, RH, 13.5"PE BMPR,G
13A	288675-02	1	DUAL STEP WLDMT, RH
13A	288675-02G	1	DUAL STEP WLDMT, RH, G
13B	905386-01	1	BUMPER,PLASTIC, 1.5 X 2.85 X13.5 LG
13C	901024-7	2	BOLT HEX FRAME .5-13X2"LG
13D	901010	2	NUT, NYLON LOCK 1/2-13 ZC
13E	902000-14	2	WASHER, FLAT .500X.063 THK
14	288690-31	1	DUAL STEP ASSY, O/LGHT, LH, 14"RBR BMPR
14	288690-31G	1	DUAL STEP ASSY, O/LGHT, LH, 14"RBR BMPR, G
14A	288675-31	1	DUAL STEP WLDMT,W/OVL LGHT, LH
14A	288675-31G	1	DUAL STEP WLDMT,W/OVL LGHT, LH, G
14B	905344-02	1	BUMPER,RUBBER, BLK 2.5X3X14
14C	901024-9	2	BOLT HEX FRAME .5-13X2.75"LG
14D	901010	2	NUT, NYLON LOCK 1/2-13 ZC
14E	902000-14	2	WASHER, FLAT .500X.063 THK
14F	092036-10	2	RD MECH TUBE.625ODX.058WX1.44L
15	288690-32	1	DUAL STEP ASSY, O/LGHT, RH, 14"RBR BMPR
15	288690-32G	1	DUAL STEP ASSY, O/LGHT, RH, 14"RBR BMPR,G

SPARE PARTS LIST

TE-15/20/25/30

Pos	CPN	Qty	Description
15A	288675-32	1	DUAL STEP WLDMT,W/OVL LGHT, RH
15A	288675-32G	1	DUAL STEP WLDMT,W/OVL LGHT, RH, G
15B	905344-02	1	BUMPER,RUBBER, BLK 2.5X3X14
15C	901024-9	2	BOLT HEX FRAME .5-13X2.75"LG
15D	901010	2	NUT, NYLON LOCK 1/2-13 ZC
15E	902000-14	2	WASHER, FLAT .500X.063 THK
15F	092036-10	2	RD MECH TUBE.625ODX.058WX1.44L
16	288690-33	1	DUAL STEP ASSY, O/LGHT, LH, 13.5"PE BMPR
16	288690-33G	1	DUAL STEP ASSY, O/LGHT, LH, 13.5"PE BMPR,G
16A	288675-31	1	DUAL STEP WLDMT,W/OVL LGHT, LH
16A	288675-31G	1	DUAL STEP WLDMT,W/OVL LGHT, LH, G
16B	905386-01	1	BUMPER,PLASTIC, 1.5 X 2.85 X13.5 LG
16C	901024-7	2	BOLT HEX FRAME .5-13X2"LG
16D	901010	2	NUT, NYLON LOCK 1/2-13 ZC
16E	902000-14	2	WASHER, FLAT .500X.063 THK
17	288690-34	1	DUAL STEP ASSY, O/LGHT, RH, 13.5"PE BMPR
17	288690-34G	1	DUAL STEP ASSY, O/LGHT, RH, 13.5"PE BMPR,G
17A	288675-32	1	DUAL STEP WLDMT,W/OVL LGHT, RH
17A	288675-32G	1	DUAL STEP WLDMT,W/OVL LGHT, RH, G
17B	905386-01	1	BUMPER,PLASTIC, 1.5 X 2.85 X13.5 LG
17C	901024-7	2	BOLT HEX FRAME .5-13X2"LG
17D	901010	2	NUT, NYLON LOCK 1/2-13 ZC
17E	902000-14	2	WASHER, FLAT .500X.063 THK
18	288690-05	1	DUAL NO STEP ASSY, LH, 14"RBR BMPR
18	288690-05G	1	DUAL NO STEP ASSY, LH, 14"RBR BMPR,G
18A	288675-03	1	CHANNEL WLDMT 29.5" LG, NO STEPS, LH
18A	288675-03G	1	CHANNEL WLDMT 29.5" LG, NO STEPS, LH, G
18B	905344-02	1	BUMPER,RUBBER, BLK 2.5X3X14
18C	901024-9	2	BOLT HEX FRAME .5-13X2.75"LG
18D	901010	2	NUT, NYLON LOCK 1/2-13 ZC
18E	902000-14	2	WASHER, FLAT .500X.063 THK

SPARE PARTS LIST

TE-15/20/25/30

Pos	CPN	Qty	Description
18F	092036-10	2	RD MECH TUBE.625ODX.058WX1.44L
19	288690-06	1	DUAL NO STEP ASSY, LH, 13.5"PE BMPR
19	288690-06G	1	DUAL NO STEP ASSY, LH, 13.5"PE BMPR,G
19A	288675-03	1	CHANNEL WLDMT 29.5" LG, NO STEPS, LH
19A	288675-03G	1	CHANNEL WLDMT 29.5" LG, NO STEPS, LH, G
19B	905386-01	1	BUMPER,PLASTIC, 1.5 X 2.85 X13.5 LG
19C	901024-7	2	BOLT HEX FRAME .5-13X2"LG
19D	901010	2	NUT, NYLON LOCK 1/2-13 ZC
19E	902000-14	2	WASHER, FLAT .500X.063 THK
20	288690-35	1	DUAL NO STEP ASSY, O/LGHT, LH, 14"RBR BMPR
20	288690-35G	1	DUAL NO STEP ASSY,O/LGHT, LH, 14"RBR BMPR,G
20A	288675-33	1	CHNL WLDMT,W/OVL LGHT, NO STEPS, LH
20A	288675-33G	1	CHNL WLDMT,W/OVL LGHT, NO STEPS, LH, G
20B	905344-02	1	BUMPER,RUBBER, BLK 2.5X3X14
20C	901024-9	2	BOLT HEX FRAME .5-13X2.75"LG
20D	901010	2	NUT, NYLON LOCK 1/2-13 ZC
20E	902000-14	2	WASHER, FLAT .500X.063 THK
20F	092036-10	2	RD MECH TUBE.625ODX.058WX1.44L
21	288690-36	1	DUAL NO STEP ASSY, O/LGHT, LH, 13.5"PE BMPR
21	288690-36G	1	DUAL NO STEP ASSY,O/LGHT, LH, 13.5"PE BMPR,G
21A	288675-33	1	CHNL WLDMT,W/OVL LGHT, NO STEPS, LH
21A	288675-33G	1	CHNL WLDMT,W/OVL LGHT, NO STEPS, LH, G
21B	905386-01	1	BUMPER,PLASTIC, 1.5 X 2.85 X13.5 LG
21C	901024-7	2	BOLT HEX FRAME .5-13X2"LG
21D	901010	2	NUT, NYLON LOCK 1/2-13 ZC
21E	902000-14	2	WASHER, FLAT .500X.063 THK
22	901023	4	FLANGE LOCK NUT
23	900820-01	4	CARRIAGE BOLT SQUARE NECK 1/2"-13

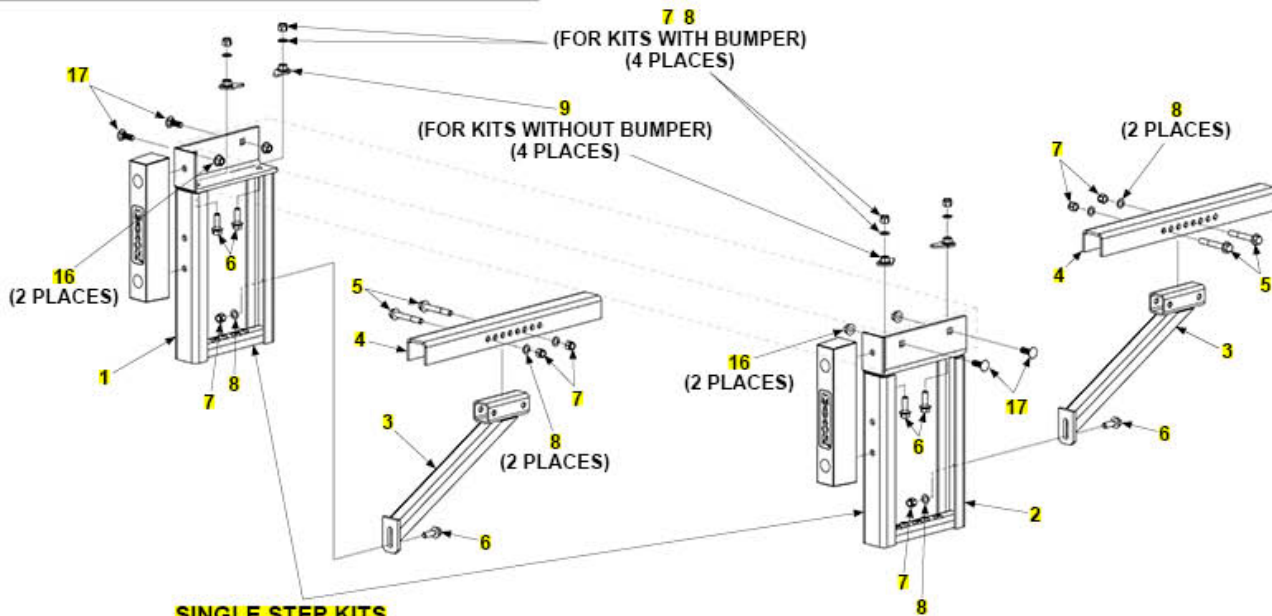
SPARE PARTS LIST

TE-15/20/25/30

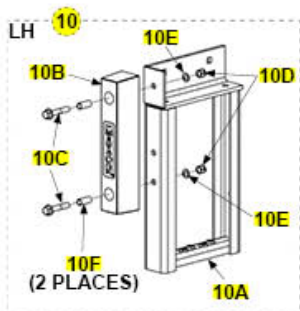
SINGLE STEP KITS

JAN 2018 to present

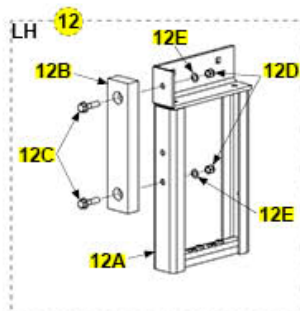
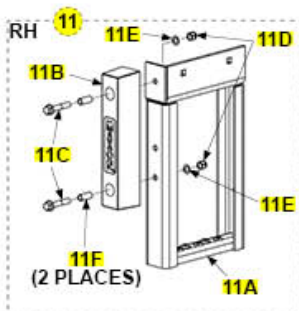
NOTE: Single step shown are only compatible with bolt-on extension plates.



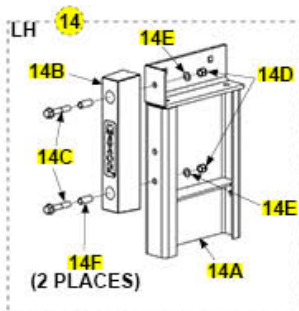
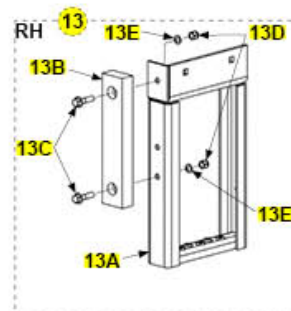
SINGLE STEP KITS



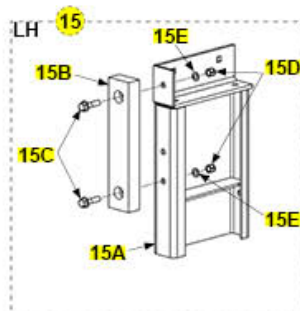
SINGLE STEP ASSEMBLY WITH RUBBER BUMPER



SINGLE STEP ASSEMBLY WITH PLASTIC BUMPER



SINGLE NO STEP ASSEMBLY WITH BUMPER



SPARE PARTS LIST

TE-15/20/25/30

Pos	CPN	Qty	Description
REF	288705-11	1	KIT, SNGL STEPS, 14" RBR BMPR
REF	288705-11G	1	KIT, SNGL STEPS, 14" RBR BMPR, G
REF	288705-12	1	KIT, SNGL STEPS, 13.5" PE BMPR
REF	288705-12G	1	KIT, SNGL STEPS, 13.5" PE BMPR, G
REF	288705-13	1	KIT, SNGL STEPS, SS NO/STPS, 14" RBR BMPRS
REF	288705-13G	1	KIT, SNGL STEPS, SS NO/STPS, 14" RBR BMPRS,G
REF	288705-14	1	KIT, SNGL STEPS, SS NO/STPS, 13.5" PE BMPRS
REF	288705-14G	1	KIT, SNGL STEPS, SS NO/STPS, 13.5" PE BMPRS,G
REF	288705-15	1	KIT, SNGL STEPS NO BMPRS
REF	288705-15G	1	KIT, SNGL STEPS NO BMPRS, G
REF	288705-16	1	KIT, SNGL STEPS, SS NO/STPS, NO BMPRS
REF	288705-16G	1	KIT, SNGL STEPS, SS NO/STPS, NO BMPRS,G
1	288675-11	1	SINGLE STEP WLDMT, LH
1	288675-11G	1	SINGLE STEP WLDMT, LH, G
1	288675-13	1	SINGLE STEP WLDMT, NO STEP, LH
1	288675-13G	1	SINGLE STEP WLDMT, NO STEP, LH, G
2	288675-12	1	SINGLE STEP WLDMT, RH
2	288675-12G	1	SINGLE STEP WLDMT, RH, G
3	288688-01	2	SUPPORT WLDMT, STEPS
3	288688-01G	2	SUPPORT WLDMT, STEPS, GAL
4	288419-01	2	CHANNEL, STEP MOUNT
5	901024-10	4	BOLT HEX FRAME .5-13X3.5"LG
6	901024-5	6	BOLT HEX FRAME .5-13X1.5"LG
7	901010	10	NUT, NYLON LOCK 1/2-13 ZC
8	902000-14	10	WASHER, FLAT .500X.063 THK
9	283700-01	4	TEAR DROP WLDMT
10	288690-11	1	SINGLE STEP ASSY, LH, 14" RBR BMPR
10	288690-11G	1	SINGLE STEP ASSY, LH, 14" RBR BMPR,G
10A	288675-11	1	SINGLE STEP WLDMT,LH
10A	288675-11G	1	SINGLE STEP WLDMT, LH, G
10B	905344-02	1	BUMPER,RUBBER, BLK 2.5X3X14

SPARE PARTS LIST

TE-15/20/25/30

Pos	CPN	Qty	Description
10C	901024-9	2	BOLT HEX FRAME .5-13X2.75"LG
10D	901010	2	NUT, NYLON LOCK 1/2-13 ZC
10E	902000-14	2	WASHER, FLAT .500X.063 THK
10F	092036-10	2	RD MECH TUBE.625ODX.058WX1.44L
11	288690-12	1	SINGLE STEP ASSY, RH, 14" RBR BMPR
11	288690-12G	1	SINGLE STEP ASSY, RH, 14" RBR BMPR,G
11A	288675-12	1	SINGLE STEP WLDMT, RH
11A	288675-12G	1	SINGLE STEP WLDMT, RH, G
11B	905344-02	1	BUMPER,RUBBER, BLK 2.5X3X14
11C	901024-9	2	BOLT HEX FRAME .5-13X2.75"LG
11D	901010	2	NUT, NYLON LOCK 1/2-13 ZC
11E	902000-14	2	WASHER, FLAT .500X.063 THK
11F	092036-10	2	RD MECH TUBE.625ODX.058WX1.44L
12	288690-13	1	SINGLE STEP ASSY, LH, 13.5" PE BMPR
12	288690-13G	1	SINGLE STEP ASSY, LH, 13.5" PE BMPR,G
12A	288675-11	1	SINGLE STEP WLDMT,LH
12A	288675-11G	1	SINGLE STEP WLDMT, LH, G
12B	905386-01	1	BUMPER,PLASTIC, 1.5 X 2.85 X13.5 LG
12C	901024-7	2	BOLT HEX FRAME .5-13X2"LG
12D	901010	2	NUT, NYLON LOCK 1/2-13 ZC
12E	902000-14	2	WASHER, FLAT .500X.063 THK
13	288690-14	1	SINGLE STEP ASSY, RH, 13.5" PE BMPR
13	288690-14G	1	SINGLE STEP ASSY, RH, 13.5" PE BMPR,G
13A	288675-12	1	SINGLE STEP WLDMT, RH
13A	288675-12G	1	SINGLE STEP WLDMT, RH, G
13B	905386-01	1	BUMPER,PLASTIC, 1.5 X 2.85 X13.5 LG
13C	901024-7	2	BOLT HEX FRAME .5-13X2"LG
13D	901010	2	NUT, NYLON LOCK 1/2-13 ZC
13E	902000-14	2	WASHER, FLAT .500X.063 THK
14	288690-15	1	SINGLE NO STEP ASSY, LH, 14" RBR BMPR
14	288690-15G	1	SINGLE NO STEP ASSY, LH, 14" RBR BMPR,G
14A	288675-13	1	CHANNEL WLDMT 21" LG, NO STEPS, LH
14A	288675-13G	1	CHANNEL WLDMT 21" LG, NO STEPS, LH, G

SPARE PARTS LIST

TE-15/20/25/30

Pos	CPN	Qty	Description
14B	905344-02	1	BUMPER,RUBBER, BLK 2.5X3X14
14C	901024-9	2	BOLT HEX FRAME .5-13X2.75"LG
14D	901010	2	NUT, NYLON LOCK 1/2-13 ZC
14E	902000-14	2	WASHER, FLAT .500X.063 THK
14F	092036-10	2	RD MECH TUBE.625ODX.058WX1.44L
15	288690-16	1	SINGLE NO STEP ASSY, LH, 13.5" PE BMPR
15	288690-16G	1	SINGLE NO STEP ASSY, LH, 13.5" PE BMPR,G
15A	288675-13	1	CHANNEL WLDMT 21" LG, NO STEPS, LH
15A	288675-13G	1	CHANNEL WLDMT 21" LG, NO STEPS, LH, G
15B	905386-01	1	BUMPER,PLASTIC, 1.5 X 2.85 X13.5 LG
15C	901024-7	2	BOLT HEX FRAME .5-13X2"LG
15D	901010	2	NUT, NYLON LOCK 1/2-13 ZC
15E	902000-14	2	WASHER, FLAT .500X.063 THK
16	901023	4	FLANGE LOCK NUT
17	900820-01	4	CARRIAGE BOLT SQUARE NECK 1/2"-13

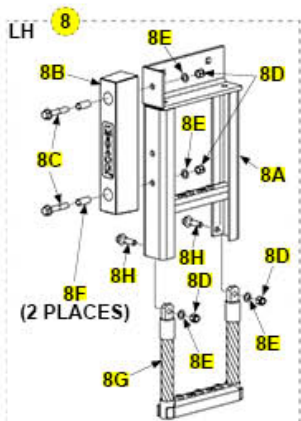
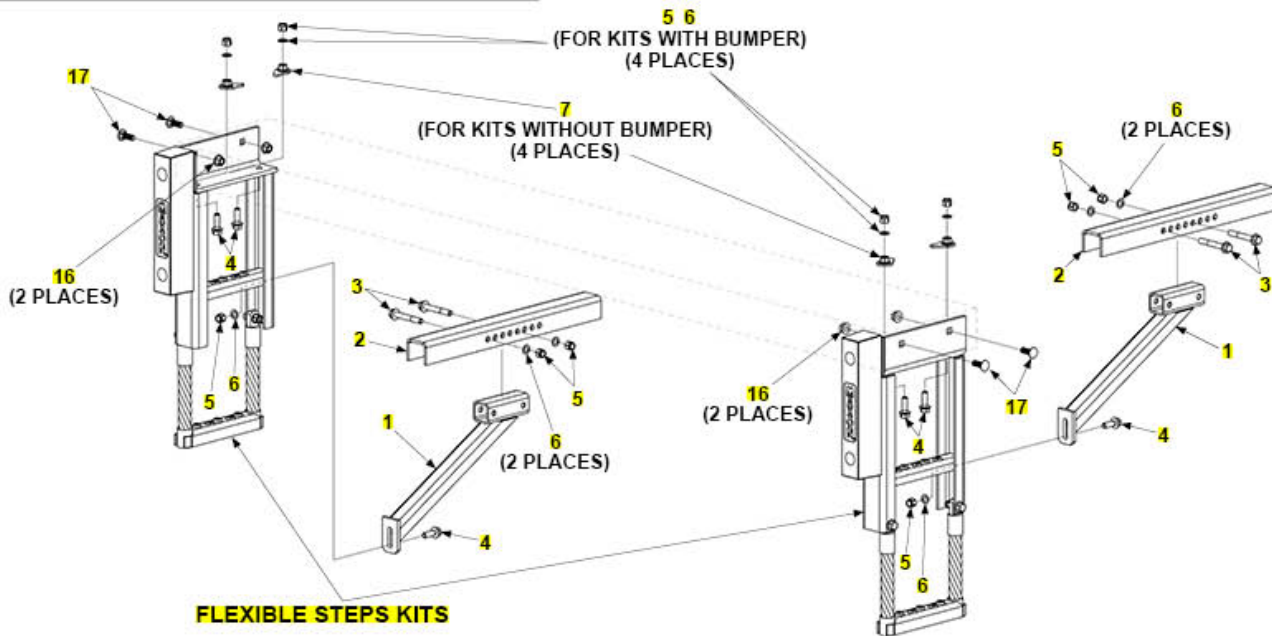
SPARE PARTS LIST

TE-15/20/25/30

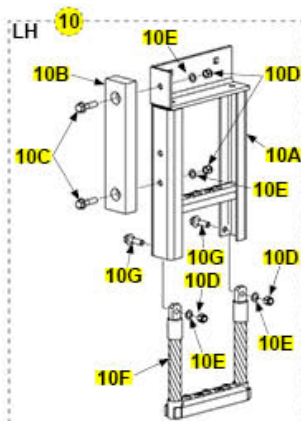
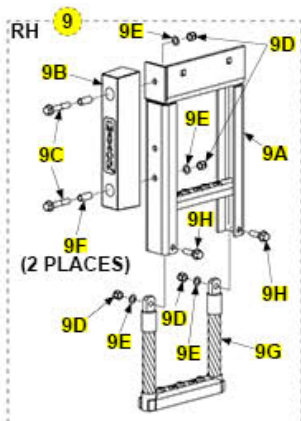
FLEXIBLE STEPS KITS

JAN 2018 to present

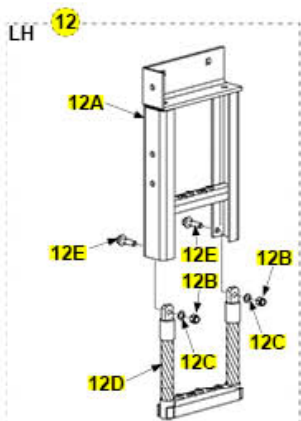
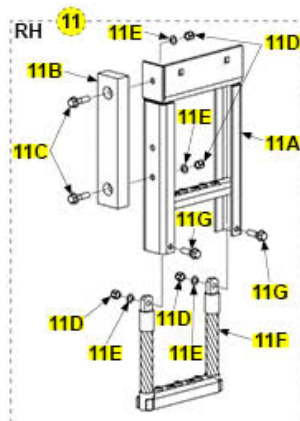
NOTE: Dual steps shown are only compatible with bolt-on extension plates.



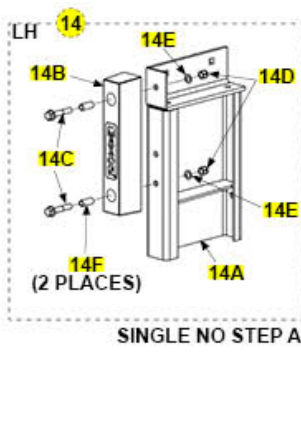
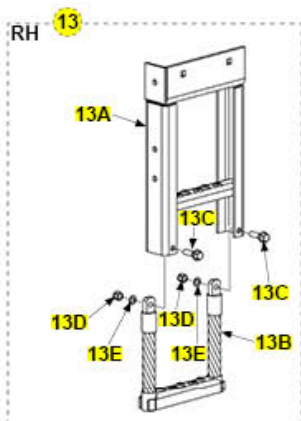
FLEXIBLE STEP ASSEMBLY WITH RUBBER BUMPER



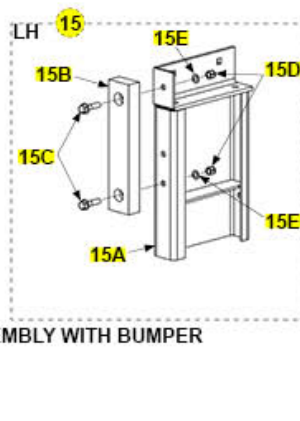
FLEXIBLE STEP ASSEMBLY WITH PLASTIC BUMPER



FLEXIBLE STEP ASSEMBLY WITH NO RUBBER BUMPER



SINGLE NO STEP ASSEMBLY WITH BUMPER



SPARE PARTS LIST

TE-15/20/25/30

Pos	CPN	Qty	Description
REF	288705-21	1	KIT, DUAL FLX STEPS, 14" RBR BMPR
REF	288705-21G	1	KIT, DUAL FLX STEPS, 14" RBR BMPR, G
REF	288705-22	1	KIT, DUAL FLX STEPS, 13.5" PE BMPR
REF	288705-22G	1	KIT, DUAL FLX STEPS, 13.5" PE BMPR, G
REF	288705-23	1	KIT, DUAL FLX STEPS, SS NO/STPS, 14" RBR BMPRS
REF	288705-23G	1	KIT, DUAL FLX STEPS, SS NO/STPS, 14" RBR BMPRS,G
REF	288705-24	1	KIT, DUAL FLX STEPS, SS NO/STPS, 13.5" PE BMPRS
REF	288705-24G	1	KIT, DUAL FLX STEPS, SS NO/STPS, 13.5" PE BMPRS,G
REF	288705-25	1	KIT, DUAL FLX STEPS NO BMPRS
REF	288705-25G	1	KIT, DUAL FLX STEPS NO BMPRS, G
REF	288705-26	1	KIT, DUAL FLX STEPS, SS NO/STPS, NO BMPRS
REF	288705-26G	1	KIT, DUAL FLX STEPS, SS NO/STPS, NO BMPRS,G
1	288688-01	2	SUPPORT WLDMT, STEPS
1	288688-01G	2	SUPPORT WLDMT, STEPS, GAL
2	288419-01	2	CHANNEL, STEP MOUNT
3	901024-10	4	BOLT HEX FRAME .5-13X3.5"LG
4	901024-5	6	BOLT HEX FRAME .5-13X1.5"LG
5	901010	10	NUT, NYLON LOCK 1/2-13 ZC
6	902000-14	10	WASHER, FLAT .500X.063 THK
7	283700-01	4	TEAR DROP WLDMT
8	288690-21	1	DUAL STEP ASSY, FLEX, LH, 14"RBR BMPR
8	288690-21G	1	DUAL STEP ASSY, FLEX, LH, 14"RBR BMPR,G
8A	288675-21	1	DUAL STEP WLDMT, FLEX, LH
8A	288675-21G	1	DUAL STEP WLDMT, FLEX, LH, G
8B	905344-02	1	BUMPER,RUBBER, BLK 2.5X3X14
8C	901024-9	2	BOLT HEX FRAME .5-13X2.75"LG
8D	901010	4	NUT, NYLON LOCK 1/2-13 ZC
8E	902000-14	4	WASHER, FLAT .500X.063 THK
8F	092036-10	2	RD MECH TUBE.625ODX.058WX1.44L

SPARE PARTS LIST

TE-15/20/25/30

Pos	CPN	Qty	Description
8G	288680-01	1	STEP WLDMT, FLEXIBLE, LOWER
8H	901024-2	2	BOLT HEX FRAME .5-13X1.75"LG
9	288690-22	1	DUAL STEP ASSY, FLEX, RH, 14"RBR BMPR
9	288690-22G	1	DUAL STEP ASSY, FLEX, RH, 14"RBR BMPR,G
9A	288675-22	1	DUAL STEP WLDMT, FLEX, RH
9A	288675-22G	1	DUAL STEP WLDMT, FLEX, RH, G
9B	905344-02	1	BUMPER,RUBBER, BLK 2.5X3X14
9C	901024-9	2	BOLT HEX FRAME .5-13X2.75"LG
9D	901010	4	NUT, NYLON LOCK 1/2-13 ZC
9E	902000-14	4	WASHER, FLAT .500X.063 THK
9F	092036-10	2	RD MECH TUBE.625ODX.058WX1.44L
9G	288680-01	1	STEP WLDMT, FLEXIBLE, LOWER
9H	901024-2	2	BOLT HEX FRAME .5-13X1.75"LG
10	288690-23	1	DUAL STEP ASSY, FLEX, LH, 13.5"PE BMPR
10	288690-23G	1	DUAL STEP ASSY, FLEX, LH, 13.5"PE BMPR,G
10A	288675-21	1	DUAL STEP WLDMT, FLEX, LH
10A	288675-21G	1	DUAL STEP WLDMT, FLEX, LH, G
10B	905386-01	1	BUMPER,PLASTIC, 1.5 X 2.85 X13.5 LG
10C	901024-7	2	BOLT HEX FRAME .5-13X2"LG
10D	901010	4	NUT, NYLON LOCK 1/2-13 ZC
10E	902000-14	4	WASHER, FLAT .500X.063 THK
10F	288680-01	1	STEP WLDMT, FLEXIBLE, LOWER
10G	901024-2	2	BOLT HEX FRAME .5-13X1.75"LG
11	288690-24	1	DUAL STEP ASSY, FLEX, RH, 13.5"PE BMPR
11	288690-24G	1	DUAL STEP ASSY, FLEX, RH, 13.5"PE BMPR,G
11A	288675-22	1	DUAL STEP WLDMT, FLEX, RH
11A	288675-22G	1	DUAL STEP WLDMT, FLEX, RH, G
11B	905386-01	1	BUMPER,PLASTIC, 1.5 X 2.85 X13.5 LG
11C	901024-7	2	BOLT HEX FRAME .5-13X2"LG
11D	901010	4	NUT, NYLON LOCK 1/2-13 ZC
11E	902000-14	4	WASHER, FLAT .500X.063 THK
11F	288680-01	1	STEP WLDMT, FLEXIBLE, LOWER

SPARE PARTS LIST

TE-15/20/25/30

Pos	CPN	Qty	Description
11G	901024-2	2	BOLT HEX FRAME .5-13X1.75"LG
12	288690-27	1	DUAL STEP ASSY, FLEX,LH, NO BMPR
12	288690-27G	1	DUAL STEP ASSY, FLEX,LH, NO BMPR, G
12A	288675-21	1	DUAL STEP WLDMT, FLEX, LH
12A	288675-21G	1	DUAL STEP WLDMT, FLEX, LH, G
12B	901010	2	NUT, NYLON LOCK 1/2-13 ZC
12C	902000-14	2	WASHER, FLAT .500X.063 THK
12D	288680-01	1	STEP WLDMT, FLEXIBLE, LOWER
12E	901024-2	2	BOLT HEX FRAME .5-13X1.75"LG
13	288690-28	1	DUAL STEP ASSY, FLEX,RH, NO BMPR
13	288690-28G	1	DUAL STEP ASSY, FLEX,RH, NO BMPR, G
13A	288675-22	1	DUAL STEP WLDMT, FLEX, RH
13A	288675-22G	1	DUAL STEP WLDMT, FLEX, RH, G
13B	288680-01	1	STEP WLDMT, FLEXIBLE, LOWER
13C	901024-2	2	BOLT HEX FRAME .5-13X1.75"LG
13D	901010	4	NUT, NYLON LOCK 1/2-13 ZC
13E	902000-14	4	WASHER, FLAT .500X.063 THK
14	288690-15	1	SINGLE NO STEP ASSY, LH, 14" RBR BMPR
14	288690-15G	1	SINGLE NO STEP ASSY, LH, 14" RBR BMPR,G
14A	288675-13	1	CHANNEL WLDMT 21" LG, NO STEPS, LH
14A	288675-13G	1	CHANNEL WLDMT 21" LG, NO STEPS, LH, G
14B	905344-02	1	BUMPER,RUBBER, BLK 2.5X3X14
14C	901024-9	2	BOLT HEX FRAME .5-13X2.75"LG
14D	901010	2	NUT, NYLON LOCK 1/2-13 ZC
14E	902000-14	2	WASHER, FLAT .500X.063 THK
14F	092036-10	2	RD MECH TUBE.625ODX.058WX1.44L
15	288690-16	1	SINGLE NO STEP ASSY, LH, 13.5" PE BMPR
15	288690-16G	1	SINGLE NO STEP ASSY, LH, 13.5" PE BMPR,G
15A	288675-13	1	CHANNEL WLDMT 21" LG, NO STEPS, LH
15A	288675-13G	1	CHANNEL WLDMT 21" LG, NO STEPS, LH, G
15B	905386-01	1	BUMPER,PLASTIC, 1.5 X 2.85 X13.5 LG
15C	901024-7	2	BOLT HEX FRAME .5-13X2"LG
15D	901010	2	NUT, NYLON LOCK 1/2-13 ZC



04/28/2023

Page

28

of

126

Spare Parts

SPARE PARTS LIST

TE-15/20/25/30

Pos	CPN	Qty	Description
15E	902000-14	2	WASHER, FLAT .500X.063 THK
16	901023	4	FLANGE LOCK NUT
17	900820-01	4	CARRIAGE BOLT SQUARE NECK 1/2"-13

SPARE PARTS LIST

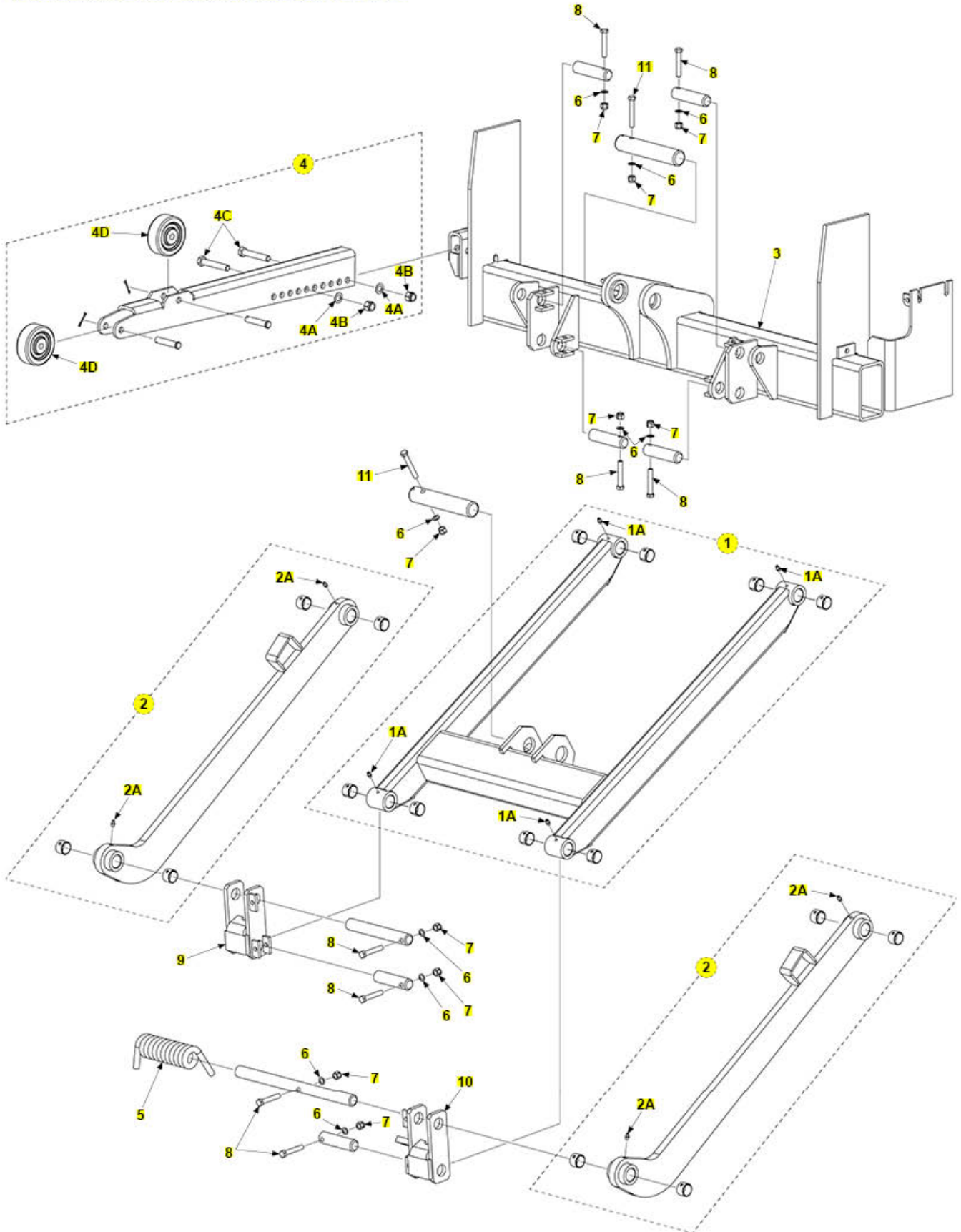
TE-15/20/25/30

TE-15/20 MAIN ASSEMBLY PAINTED

FOR PINS AND BUSHINGS:

TE-15/20 MAIN ASSEMBLY PAINTED, PINS AND BUSHINGS

JAN 2021 to present



SPARE PARTS LIST

TE-15/20/25/30

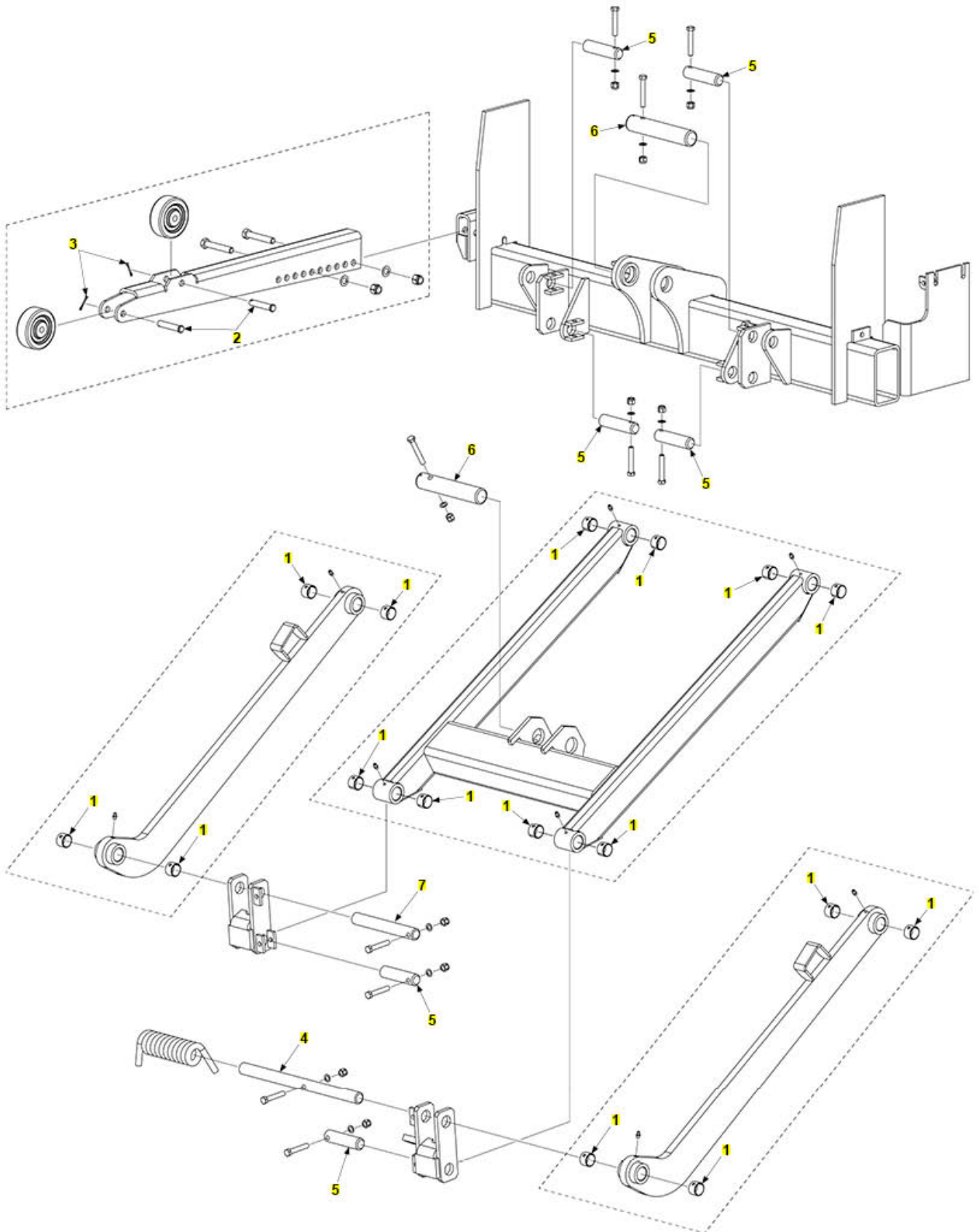
Pos	CPN	Qty	Description
1	298073-01	1	LIFT FRAME ASSY
1A	224342	4	FITTING, GREASE 1/4"SELF DRILL
2	286007-01	2	PARALLEL ARM ASSY
2A	224342	4	FITTING, GREASE 1/4"SELF DRILL
3	299420-01	1	MAIN FRAME ASSY, TE-15/TE-20
4	287060-01	1	KIT, OPENER, TUK-A-WAY
4A	902000-13	2	WASHER, FLAT .500 .032 THK
4B	901010	2	NUT, NYLON LOCK 1/2-13 ZC
4C	900035-9	2	SCREW,CAP HXHD.5-13UNC-2A 3.00
4D	280082-01	2	ROLLER, OPENER,3.5 X 1.25 X .5
5	286038-01	1	TORSION SPRING
6	902000-9	10	WASHER, FLAT.375X.032 THK
7	901002	10	NUT, NYLON 3/8-16 ZINC
8	900014-9	8	SCREW,HEX CAP.38-16X2.25,G8,ZC
9	296872-08	1	SHACKLE WLDM'T,HB,RH,4.25,NO SPRG BRKT
9	296872-09	1	SHACKLE WLDM'T,HB,LH,4.63,NO SPRG BRKT
10	296872-02	1	SHACKLE WLDMT,HB,RH,4.63
10	296872-07	1	SHACKLE WLDM'T,HB,LH,4.25
11	900014-18	2	SCREW,HEX CAP.38-16X2.75,G8,ZC

SPARE PARTS LIST

TE-15/20/25/30

TE-15/20 MAIN ASSEMBLY PAINTED, PINS AND BUSHINGS

JAN 2021 to present



SPARE PARTS LIST**TE-15/20/25/30**

Pos	CPN	Qty	Description
1	260916-08	16	BEARING,SELF LUBE 1"DIA X.75"
2	905202-03	2	PIN CLEVIS, .500 DIA X 2.50
3	030805	2	COTTER PIN 1/8 X 1"
4	262981	1	PIN 1"DIA X 14.00"LG
5	252686	6	PIN 1"DIA. 4.00"LG
6	286074-01	2	PIN, CYLINDER
7	260830	1	PIN 1"DIA X 7.25"LG

SPARE PARTS LIST

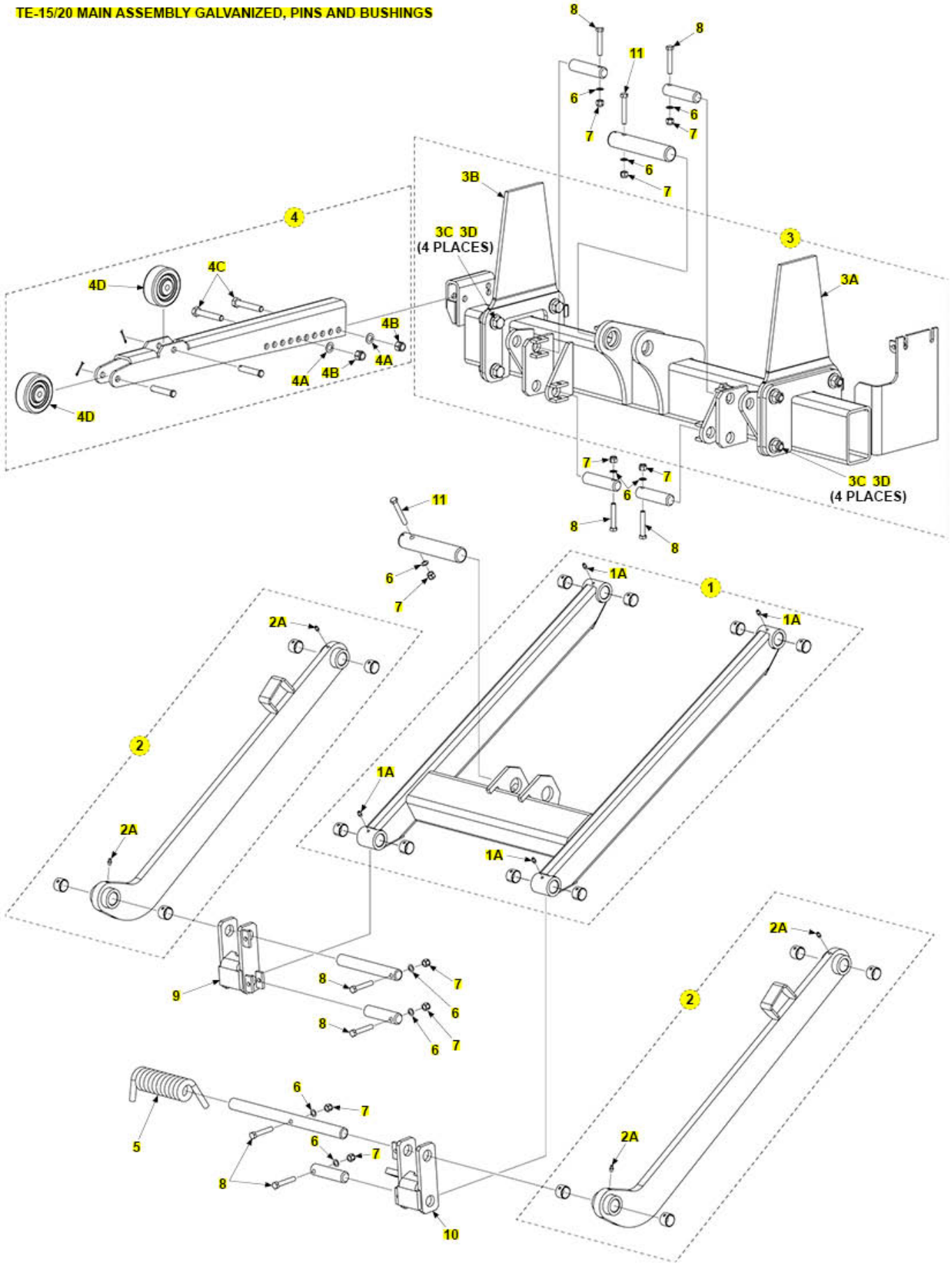
TE-15/20/25/30

TE-15/20 MAIN ASSEMBLY GALVANIZED

FOR PINS AND BUSHINGS:

TE-15/20 MAIN ASSEMBLY GALVANIZED, PINS AND BUSHINGS

JAN 2021 to present



Spare Parts

SPARE PARTS LIST

TE-15/20/25/30

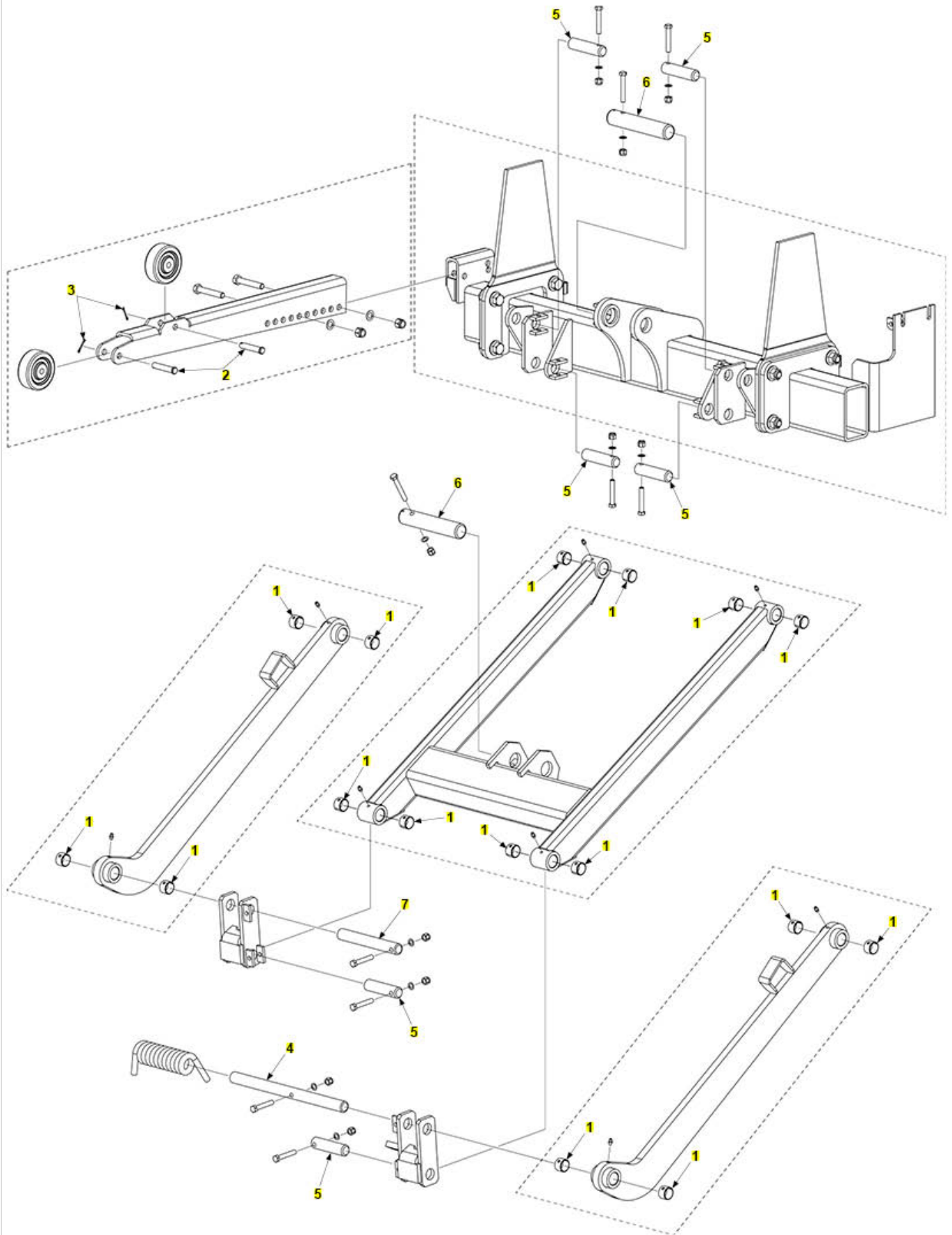
Pos	CPN	Qty	Description
1	298073-01G	1	LIFT FRAME ASSY, GAL
1A	224342	4	FITTING, GREASE 1/4"SELF DRILL
2	286007-01G	2	PARALLEL ARM ASSY,GAL
2A	224342	4	FITTING, GREASE 1/4"SELF DRILL
3	299420-01G	1	MAIN FRAME ASSY, TE-15/TE-20, G
3A	298351-01	1	MOUNT PL. WLDMT, TE, .13 JOG
3B	298351-02	1	MOUNT PL. WLDMT, TE, .13 JOG
3C	901615-03	8	BOLT HEX FLANGE .63-11X1.75"LG
3D	901023-04	8	FLANGE LOCK NUT,63-11,ZC
4	287060-01G	1	KIT, OPENER, TUK-A-WAY, GALV
4A	902000-13	2	WASHER, FLAT .500 .032 THK
4B	901010	2	NUT, NYLON LOCK 1/2-13 ZC
4C	900035-9	2	SCREW,CAP HXHD.5-13UNC-2A 3.00
4D	280082-01	2	ROLLER, OPENER,3.5 X 1.25 X .5
5	286038-01	1	TORSION SPRING
6	902000-9	10	WASHER, FLAT.375X.032 THK
7	901002	10	NUT, NYLON 3/8-16 ZINC
8	900014-9	8	SCREW,HEX CAP.38-16X2.25,G8,ZC
9	296872-08G	1	SHACKLE WLDM'T,HB,RH,4.25,NO SPRG BRKT,G
9	296872-09G	1	SHACKLE WLDM'T,HB,LH,4.63,NO SPRG BRKT,G
10	296872-02G	1	SHACKLE WLDM'T,HB,RH,4.63,G
10	296872-07G	1	SHACKLE WLDM'T,HB,LH,4.25,G
11	900014-18	2	SCREW,HEX CAP.38-16X2.75,G8,ZC

SPARE PARTS LIST

TE-15/20/25/30

TE-15/20 MAIN ASSEMBLY GALVANIZED, PINS AND BUSHINGS

JAN 2021 to present



SPARE PARTS LIST**TE-15/20/25/30**

Pos	CPN	Qty	Description
1	260916-08	16	BEARING,SELF LUBE 1"DIA X.75"
2	905202-03	2	PIN CLEVIS, .500 DIA X 2.50
3	030805	2	COTTER PIN 1/8 X 1"
4	262981	1	PIN 1"DIA X 14.00"LG
5	252686	6	PIN 1"DIA. 4.00"LG
6	286074-01	2	PIN, CYLINDER
7	260830	1	PIN 1"DIA X 7.25"LG

SPARE PARTS LIST

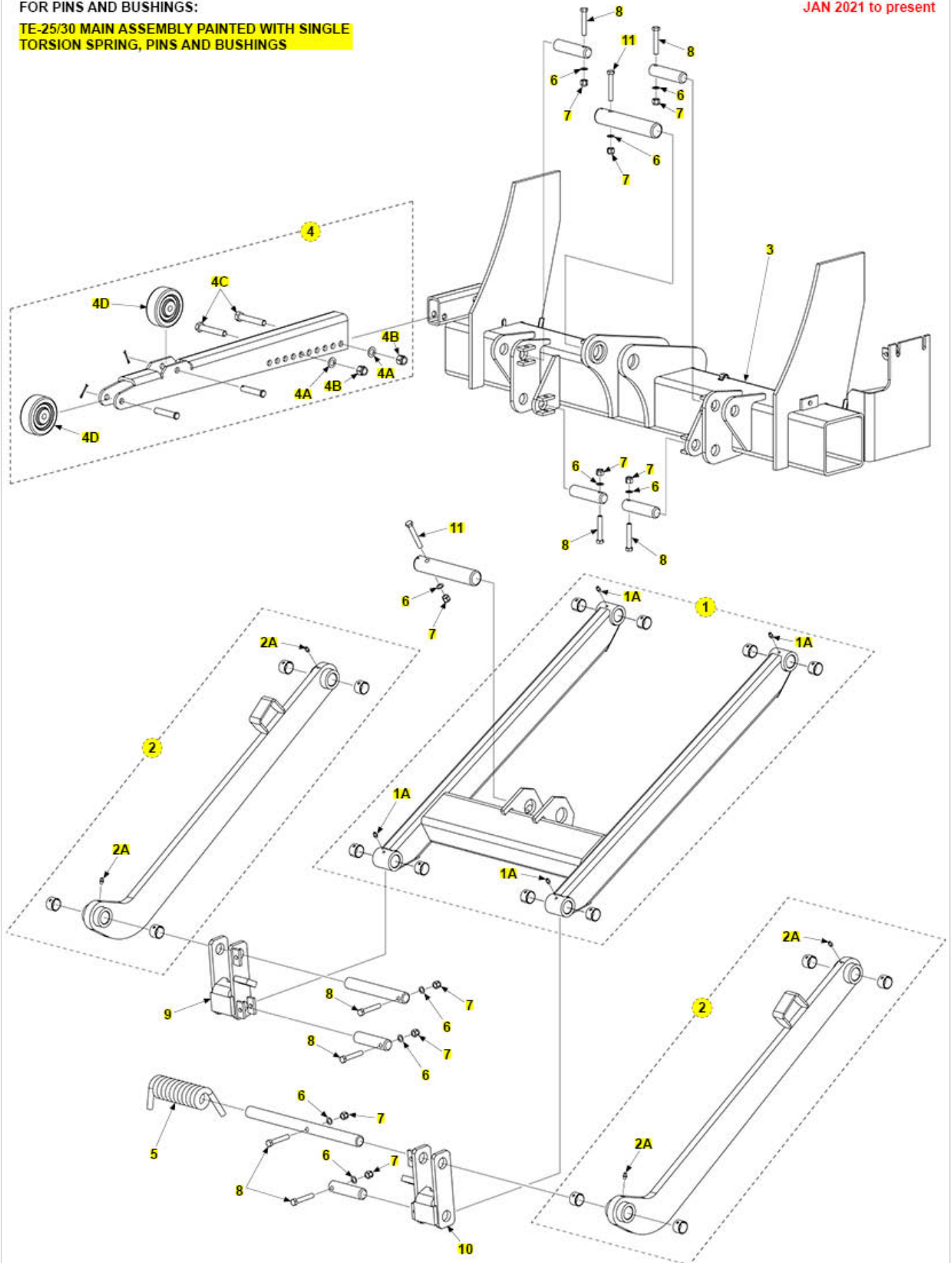
TE-15/20/25/30

TE-25/30 MAIN ASSEMBLY PAINTED WITH SINGLE TORSION SPRING

FOR PINS AND BUSHINGS:

TE-25/30 MAIN ASSEMBLY PAINTED WITH SINGLE TORSION SPRING, PINS AND BUSHINGS

JAN 2021 to present



SPARE PARTS LIST

TE-15/20/25/30

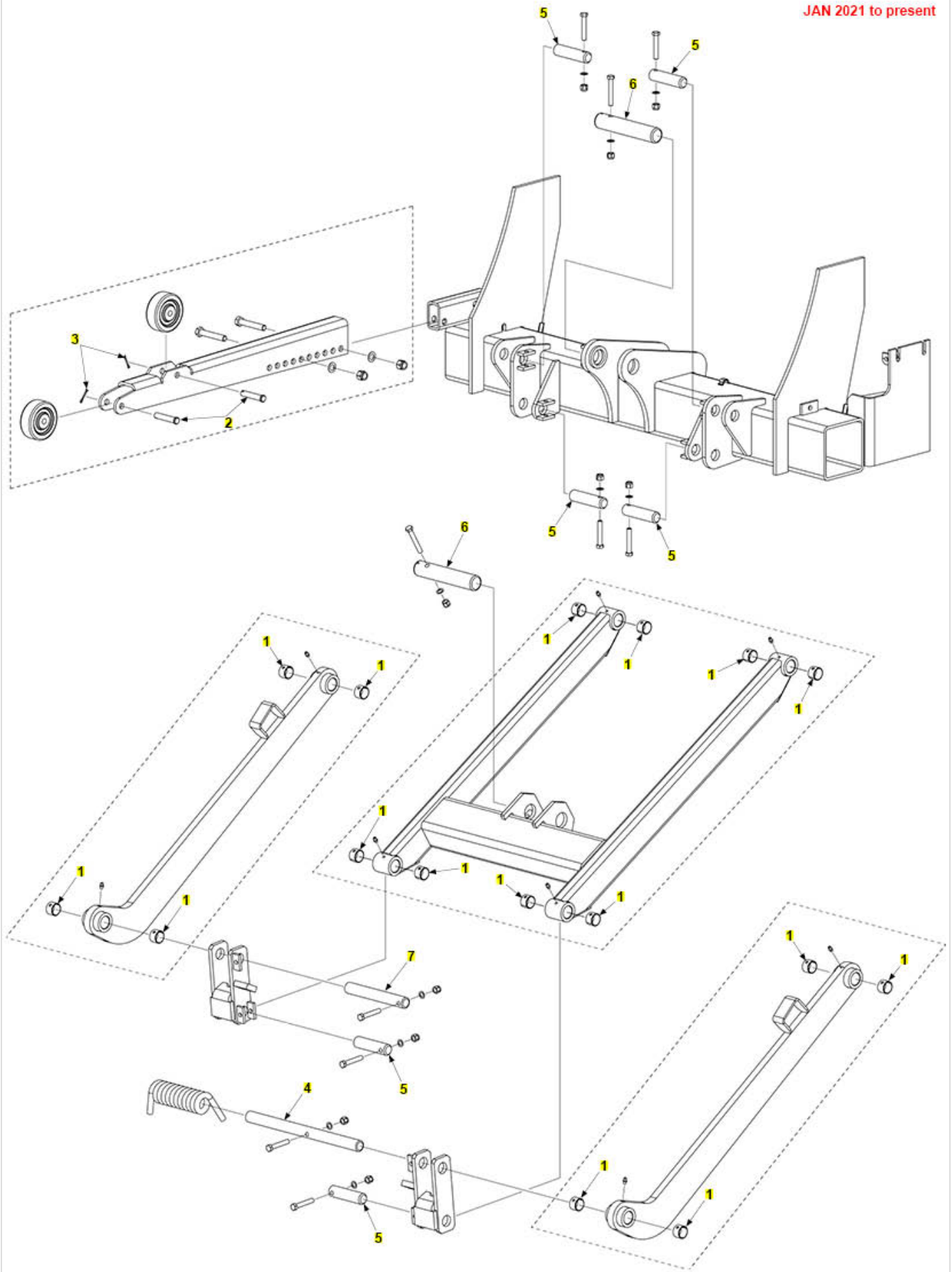
Pos	CPN	Qty	Description
1	298073-01	1	LIFT FRAME ASSY
1A	224342	4	FITTING, GREASE 1/4"SELF DRILL
2	286007-01	2	PARALLEL ARM ASSY
2A	224342	4	FITTING, GREASE 1/4"SELF DRILL
3	210359-01	1	M/F ASSY,WELD ON PAINTED MNT PL'S
4	287060-01	1	KIT, OPENER, TUK-A-WAY
4A	902000-13	2	WASHER, FLAT .500 .032 THK
4B	901010	2	NUT, NYLON LOCK 1/2-13 ZC
4C	900035-9	2	SCREW,CAP HXHD.5-13UNC-2A 3.00
4D	280082-01	2	ROLLER, OPENER,3.5 X 1.25 X .5
5	286038-01	1	TORSION SPRING
6	902000-9	10	WASHER, FLAT.375X.032 THK
7	901002	10	NUT, NYLON 3/8-16 ZINC
8	900014-9	8	SCREW,HEX CAP.38-16X2.25,G8,ZC
9	296872-09	1	SHACKLE WLDM'T,HB,LH,4.63,NO SPRG BRKT
9	296872-10	1	SHACKLE WLDM'T,HB/LB,LH,5.00,NO SPRG BRKT
10	296872-02	1	SHACKLE WLDMT,HB,RH,4.63
10	296872-04	1	SHACKLE WLDMT,HB/LB,RH,5.00
11	900014-18	2	SCREW,HEX CAP.38-16X2.75,G8,ZC

SPARE PARTS LIST

TE-15/20/25/30

TE-25/30 MAIN ASSEMBLY PAINTED WITH SINGLE TORSION SPRING, PINS AND BUSHINGS

JAN 2021 to present





04/28/2023

Page

40

of

126

Spare Parts

SPARE PARTS LIST

TE-15/20/25/30

Pos	CPN	Qty	Description
1	260916-08	16	BEARING,SELF LUBE 1"DIA X.75"
2	905202-03	2	PIN CLEVIS, .500 DIA X 2.50
3	030805	2	COTTER PIN 1/8 X 1"
4	262981	1	PIN 1"DIA X 14.00"LG
5	252686	6	PIN 1"DIA. 4.00"LG
6	286074-01	2	PIN, CYLINDER
7	260830	1	PIN 1"DIA X 7.25"LG

SPARE PARTS LIST

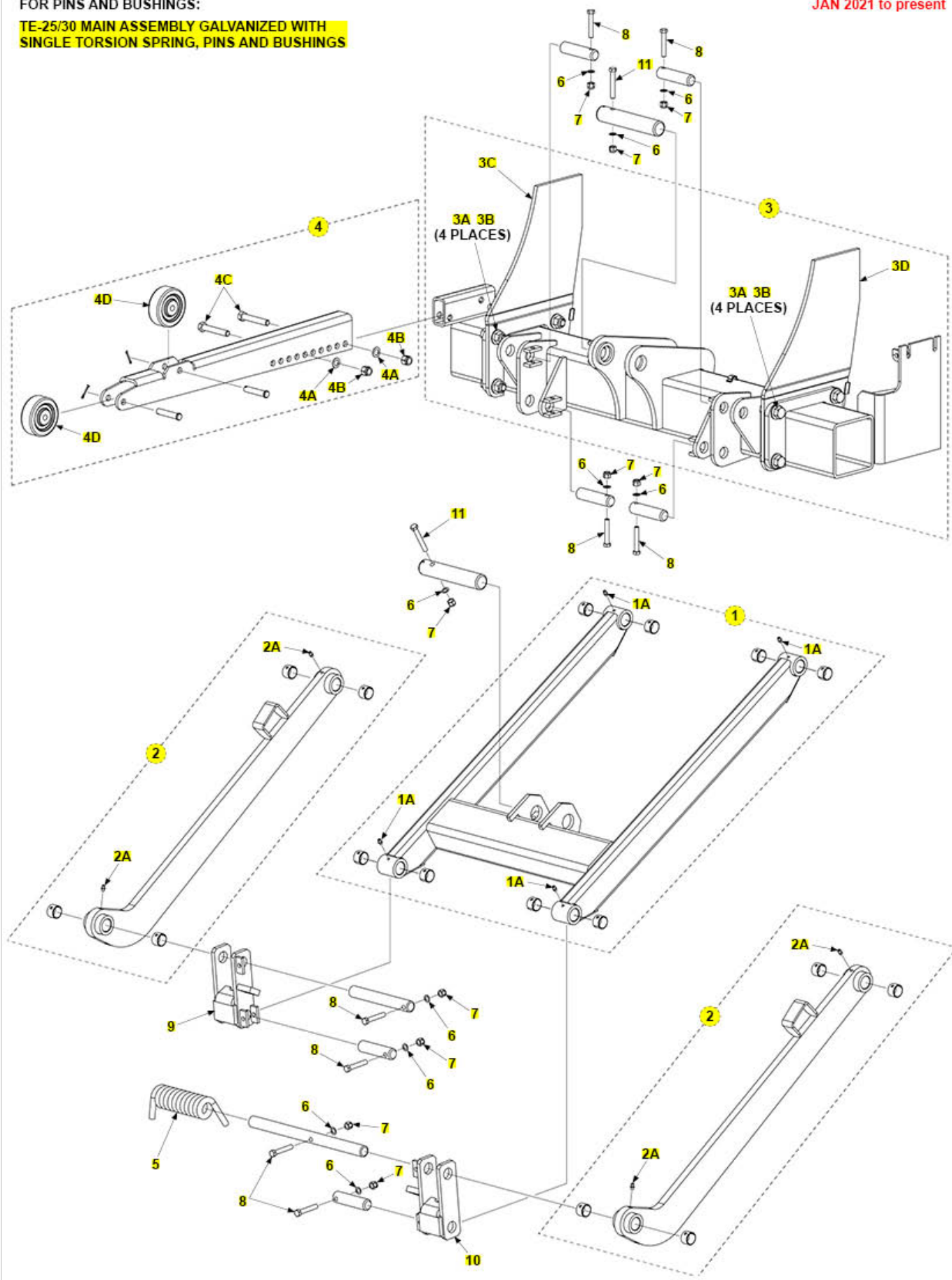
TE-15/20/25/30

TE-25/30 MAIN ASSEMBLY GALVANIZED WITH SINGLE TORSION SPRING

FOR PINS AND BUSHINGS:

TE-25/30 MAIN ASSEMBLY GALVANIZED WITH SINGLE TORSION SPRING, PINS AND BUSHINGS

JAN 2021 to present



SPARE PARTS LIST

TE-15/20/25/30

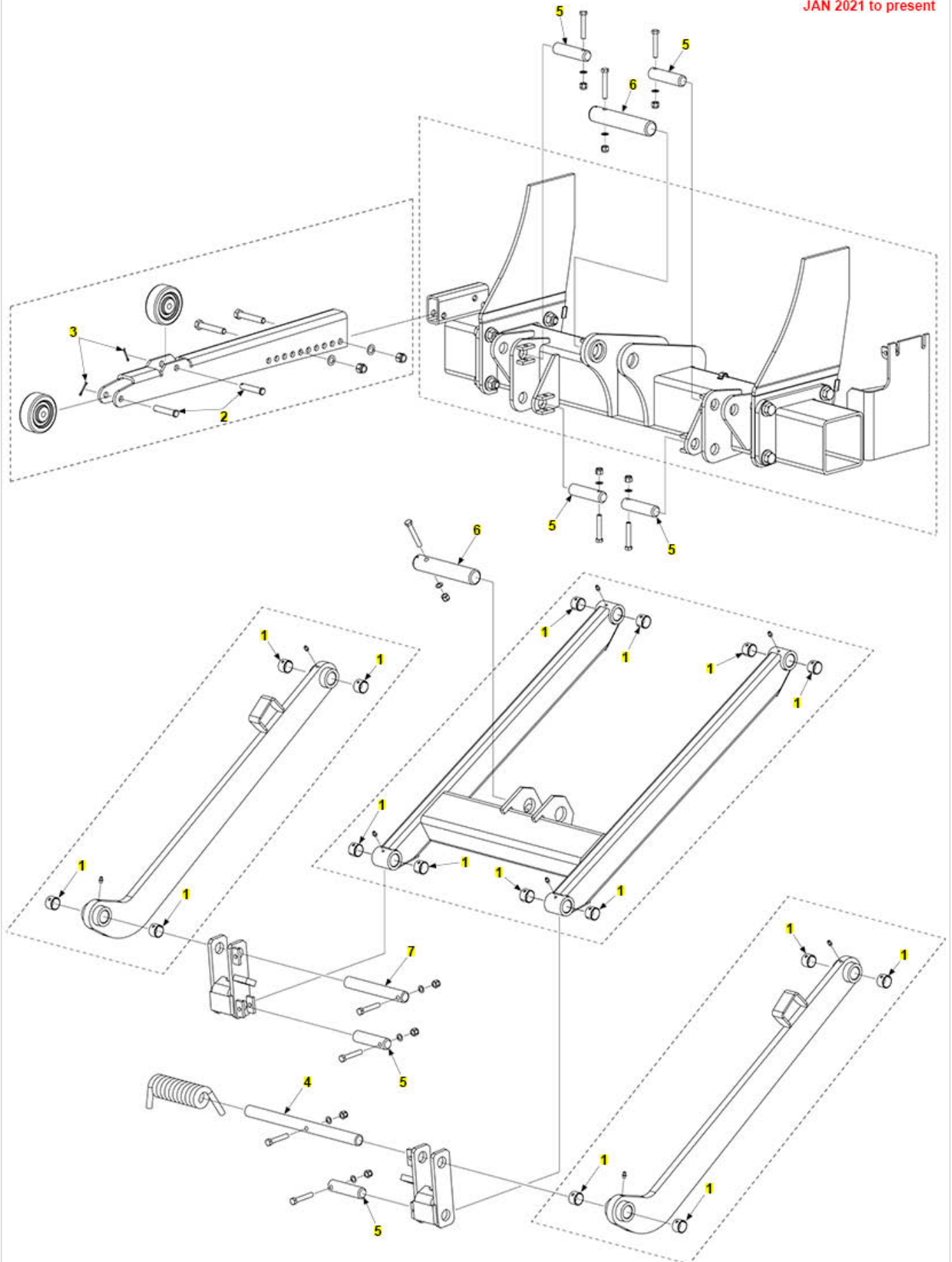
Pos	CPN	Qty	Description
1	298073-01G	1	LIFT FRAME ASSY, GAL
1A	224342	4	FITTING, GREASE 1/4"SELF DRILL
2	286007-01G	2	PARALLEL ARM ASSY,GAL
2A	224342	4	FITTING, GREASE 1/4"SELF DRILL
3	210358-01G	1	M/F ASSY,BOLTED 34.25 & 33.75 MNT,G
3A	901023-04	8	FLANGE LOCK NUT,63-11,ZC
3B	901615-03	8	BOLT HEX FLANGE .63-11X1.75"LG
3C	298382-02	1	MOUNT PL. WLDMT, TE, .13 JOG
3D	298382-01	1	MOUNT PL. WLDMT, TE, .13 JOG
4	287060-01G	1	KIT, OPENER, TUK-A-WAY, GALV
4A	902000-13	2	WASHER, FLAT .500 .032 THK
4B	901010	2	NUT, NYLON LOCK 1/2-13 ZC
4C	900035-9	2	SCREW,CAP HXHD.5-13UNC-2A 3.00
4D	280082-01	2	ROLLER, OPENER,3.5 X 1.25 X .5
5	286038-01	1	TORSION SPRING
6	902000-9	10	WASHER, FLAT.375X.032 THK
7	901002	10	NUT, NYLON 3/8-16 ZINC
8	900014-9	8	SCREW,HEX CAP.38-16X2.25,G8,ZC
9	296872-09G	1	SHACKLE WLDM'T,HB,LH,4.63,NO SPRG BRKT,G
9	296872-10G	1	SHACKLE WLDM'T,HB/LB,LH,5.00,NO SPRG BRKT,G
10	296872-02G	1	SHACKLE WLDM'T,HB,RH,4.63,G
10	296872-04G	1	SHACKLE WLDM'T,HB/LB,RH,5.00,G
11	900014-18	2	SCREW,HEX CAP.38-16X2.75,G8,ZC

SPARE PARTS LIST

TE-15/20/25/30

TE-25/30 MAIN ASSEMBLY GALVANIZED WITH SINGLE TORSION SPRING, PINS AND BUSHINGS

JAN 2021 to present





04/28/2023

Page

44

of

126

Spare Parts

SPARE PARTS LIST

TE-15/20/25/30

Pos	CPN	Qty	Description
1	260916-08	16	BEARING,SELF LUBE 1"DIA X.75"
2	905202-03	2	PIN CLEVIS, .500 DIA X 2.50
3	030805	2	COTTER PIN 1/8 X 1"
4	262981	1	PIN 1"DIA X 14.00"LG
5	252686	6	PIN 1"DIA. 4.00"LG
6	286074-01	2	PIN, CYLINDER
7	260830	1	PIN 1"DIA X 7.25"LG

SPARE PARTS LIST

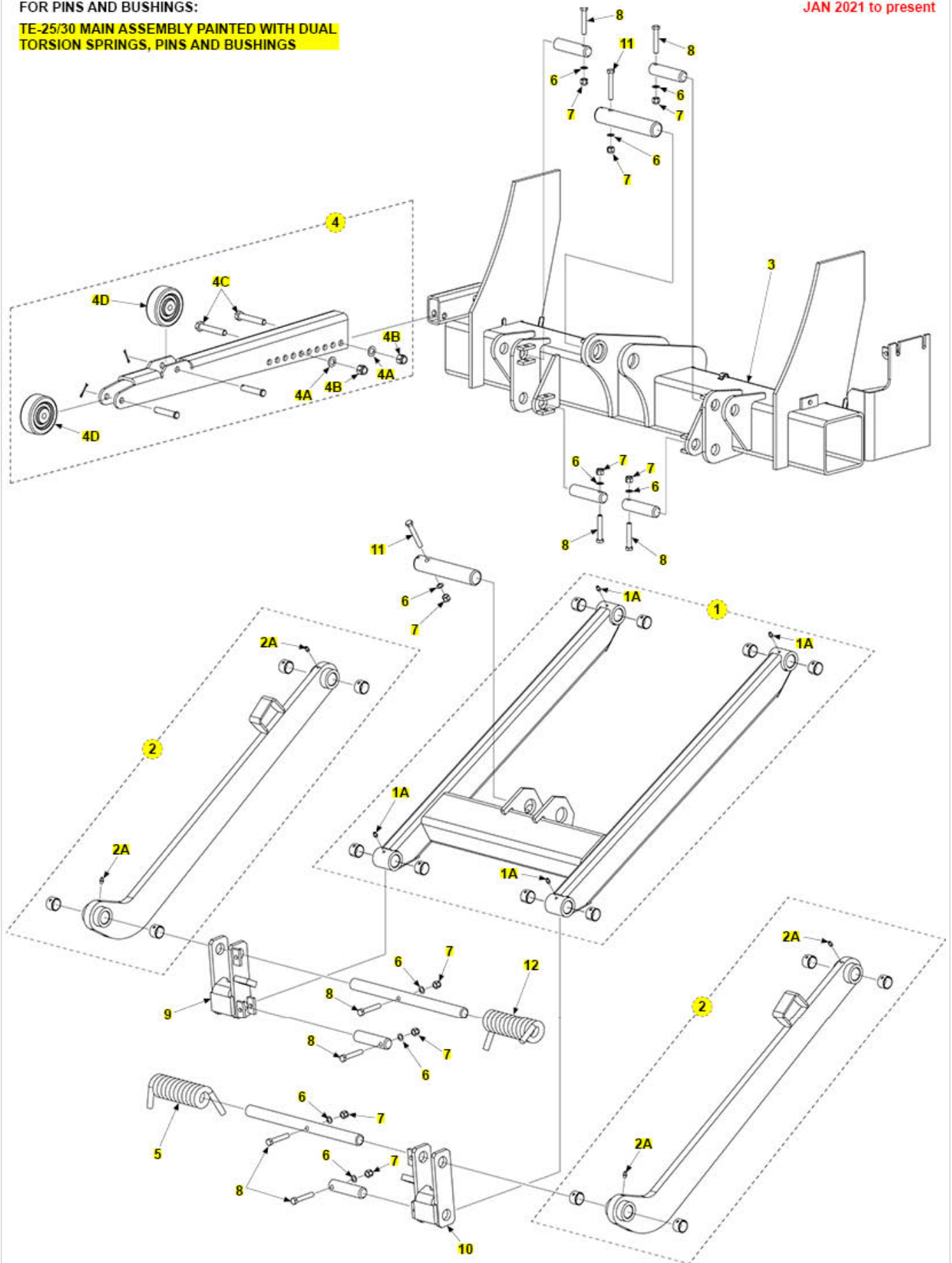
TE-15/20/25/30

TE-25/30 MAIN ASSEMBLY PAINTED WITH DUAL TORSION SPRINGS

FOR PINS AND BUSHINGS:

TE-25/30 MAIN ASSEMBLY PAINTED WITH DUAL TORSION SPRINGS, PINS AND BUSHINGS

JAN 2021 to present



SPARE PARTS LIST

TE-15/20/25/30

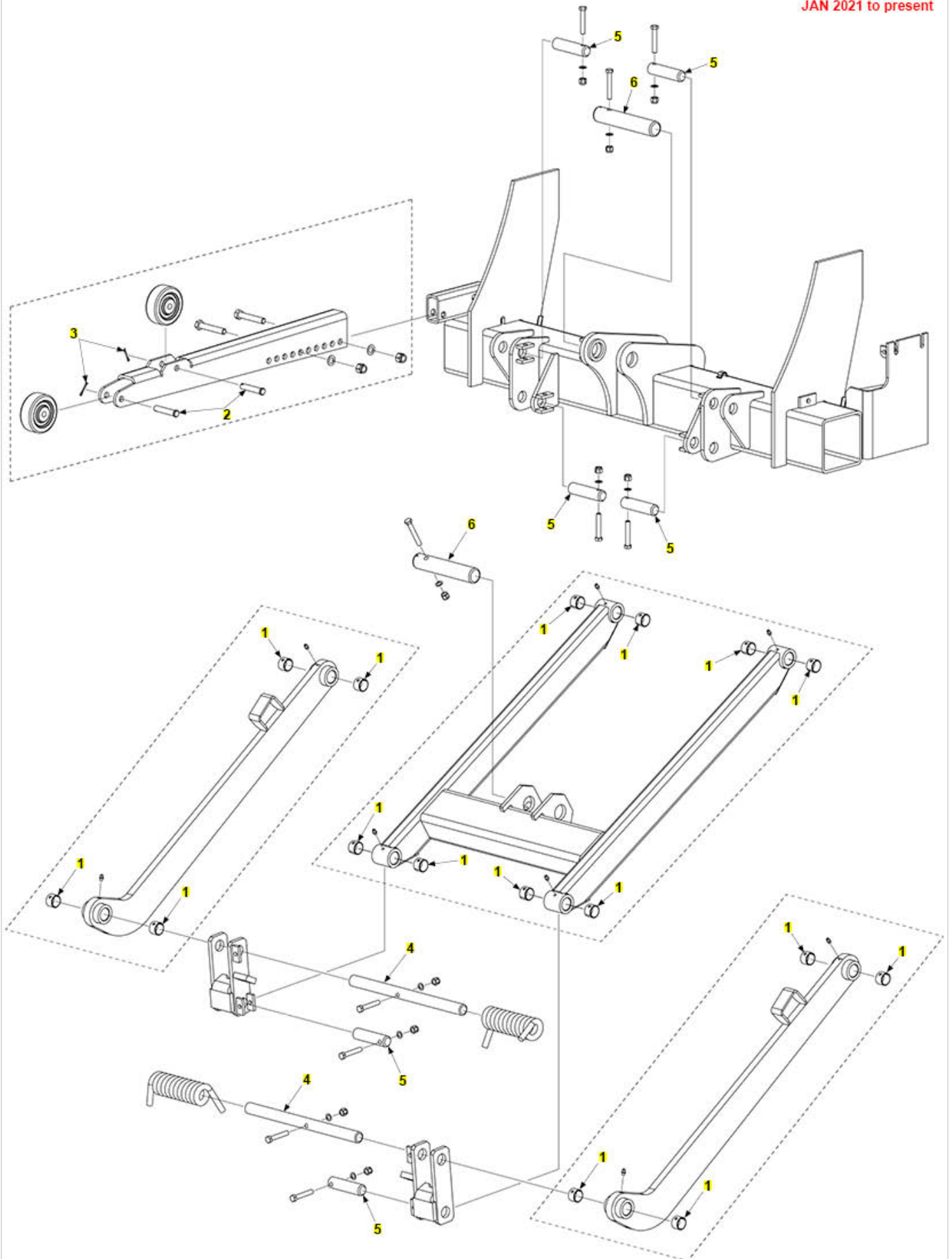
Pos	CPN	Qty	Description
1	298073-01	1	LIFT FRAME ASSY
1A	224342	4	FITTING, GREASE 1/4"SELF DRILL
2	286007-01	2	PARALLEL ARM ASSY
2A	224342	4	FITTING, GREASE 1/4"SELF DRILL
3	210359-01	1	M/F ASSY,WELD ON PAINTED MNT PL'S
4	287060-01	1	KIT, OPENER, TUK-A-WAY
4A	902000-13	2	WASHER, FLAT .500 .032 THK
4B	901010	2	NUT, NYLON LOCK 1/2-13 ZC
4C	900035-9	2	SCREW,CAP HXHD.5-13UNC-2A 3.00
4D	280082-01	2	ROLLER, OPENER,3.5 X 1.25 X .5
5	286038-01	1	TORSION SPRING
6	902000-9	10	WASHER, FLAT.375X.032 THK
7	901002	10	NUT, NYLON 3/8-16 ZINC
8	900014-9	8	SCREW,HEX CAP.38-16X2.25,G8,ZC
9	296872-01	1	SHACKLE WLDM'T,HB,LH,4.63
9	296872-03	1	SHACKLE WLDM'T,HB/LB,LH,5.00
9	296872-05	1	SHACKLE WLDM'T,LB,LH,5.25
10	296872-02	1	SHACKLE WLDMT,HB,RH,4.63
10	296872-04	1	SHACKLE WLDMT,HB/LB,RH,5.00
10	296872-06	1	SHACKLE WLDMT,LB,RH,5.25
11	900014-18	2	SCREW,HEX CAP.38-16X2.75,G8,ZC
12	286038-02	1	TORSION SPRING

SPARE PARTS LIST

TE-15/20/25/30

TE-25/30 MAIN ASSEMBLY PAINTED WITH DUAL TORSION SPRINGS, PINS AND BUSHINGS

JAN 2021 to present





04/28/2023

Page

48

of

126

Spare Parts

SPARE PARTS LIST

TE-15/20/25/30

Pos	CPN	Qty	Description
1	260916-08	16	BEARING,SELF LUBE 1"DIA X.75"
2	905202-03	2	PIN CLEVIS, .500 DIA X 2.50
3	030805	2	COTTER PIN 1/8 X 1"
4	262981	2	PIN 1"DIA X 14.00"LG
5	252686	6	PIN 1"DIA. 4.00"LG
6	286074-01	2	PIN, CYLINDER

SPARE PARTS LIST

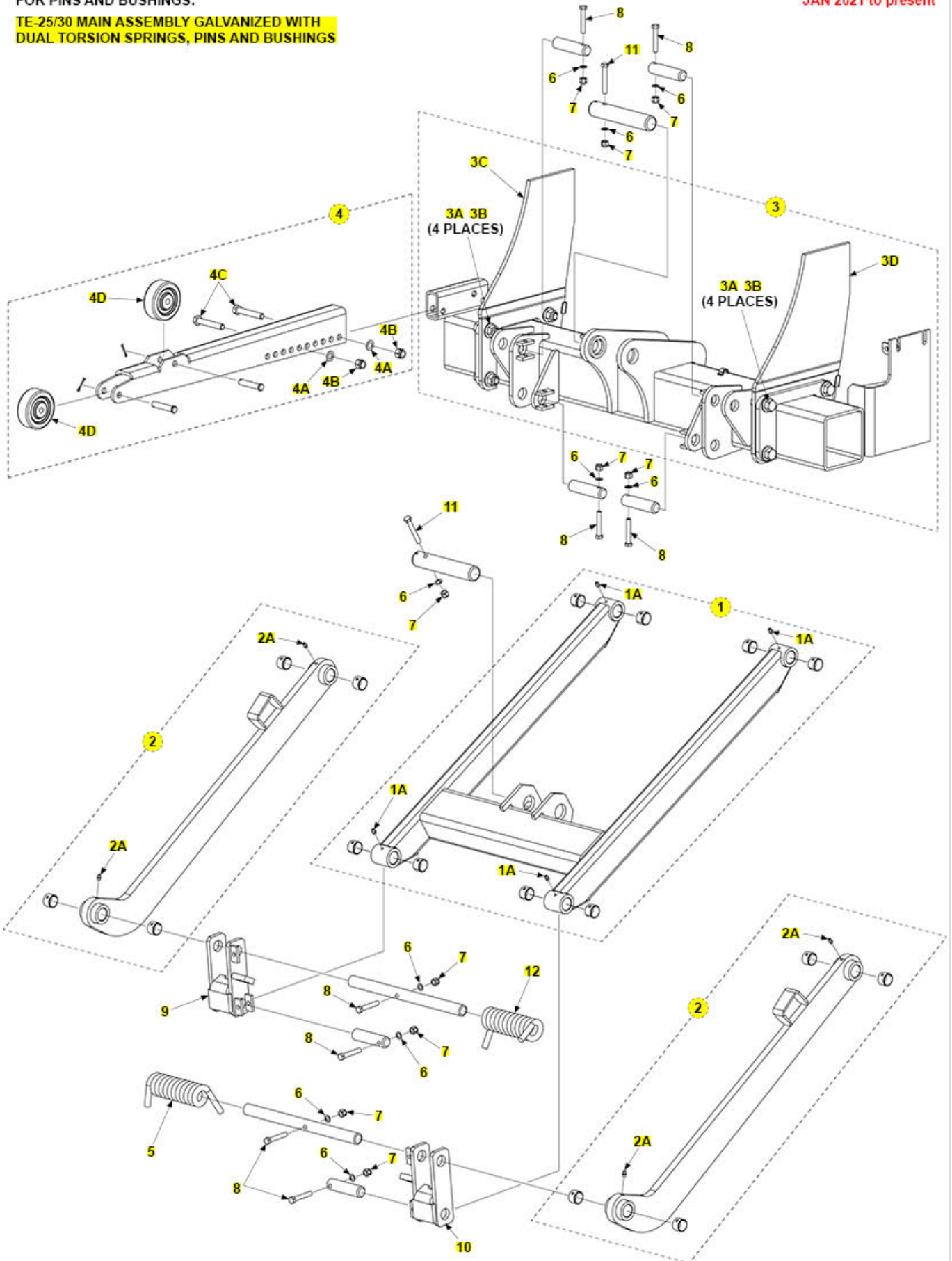
TE-15/20/25/30

TE-25/30 MAIN ASSEMBLY GALVANIZED WITH DUAL TORSION SPRINGS

FOR PINS AND BUSHINGS:

TE-25/30 MAIN ASSEMBLY GALVANIZED WITH DUAL TORSION SPRINGS, PINS AND BUSHINGS

JAN 2021 to present



SPARE PARTS LIST

TE-15/20/25/30

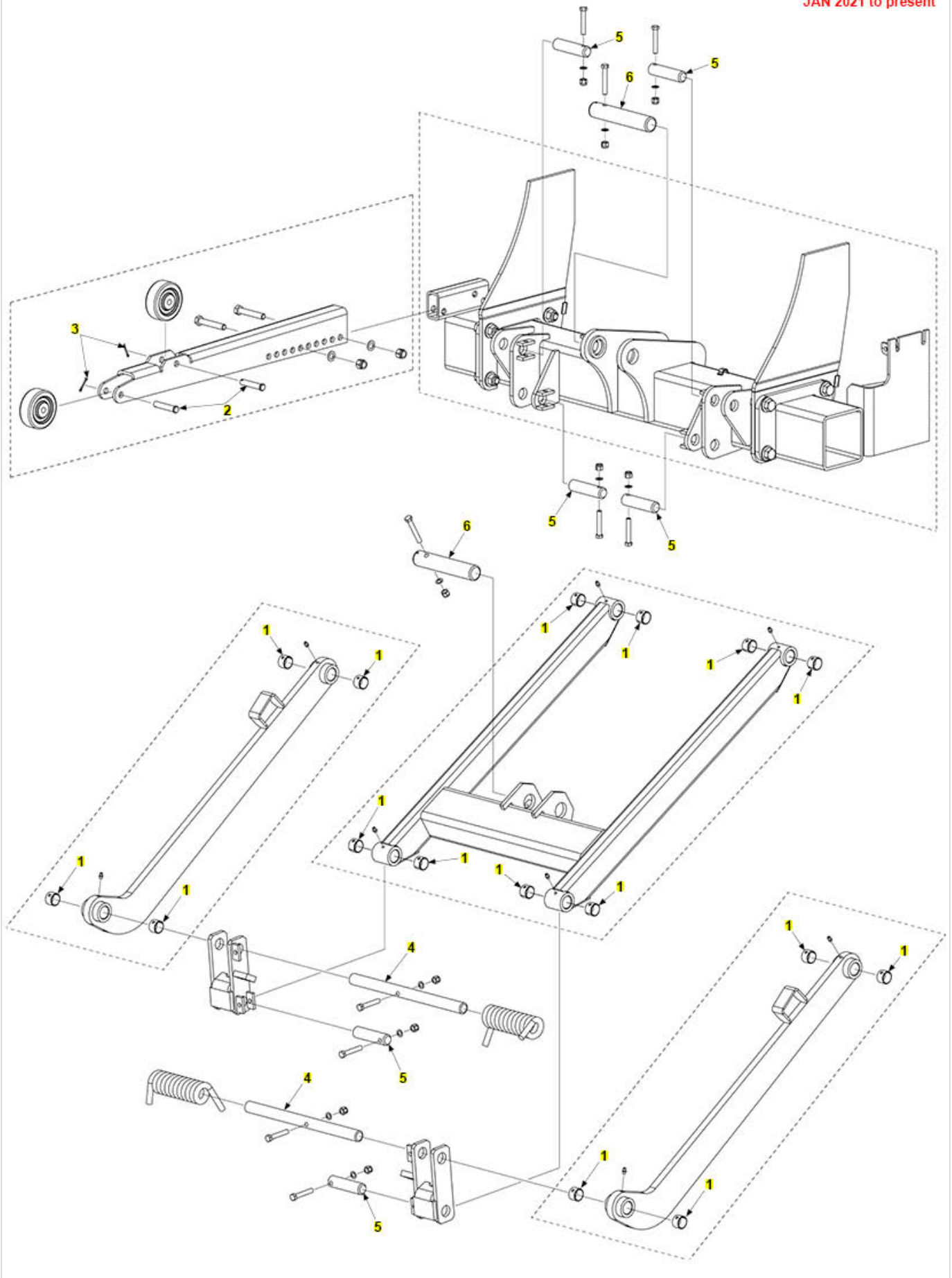
Pos	CPN	Qty	Description
1	298073-01G	1	LIFT FRAME ASSY, GAL
1A	224342	4	FITTING, GREASE 1/4"SELF DRILL
2	286007-01G	2	PARALLEL ARM ASSY,GAL
2A	224342	4	FITTING, GREASE 1/4"SELF DRILL
3	210358-01G	1	M/F ASSY,BOLTED 34.25 & 33.75 MNT,G
3A	901023-04	8	FLANGE LOCK NUT,63-11,ZC
3B	901615-03	8	BOLT HEX FLANGE .63-11X1.75"LG
3C	298382-02	1	MOUNT PL. WLDMT, TE, .13 JOG
3D	298382-01	1	MOUNT PL. WLDMT, TE, .13 JOG
4	287060-01G	1	KIT, OPENER, TUK-A-WAY, GALV
4A	902000-13	2	WASHER, FLAT .500 .032 THK
4B	901010	2	NUT, NYLON LOCK 1/2-13 ZC
4C	900035-9	2	SCREW,CAP HXHD.5-13UNC-2A 3.00
4D	280082-01	2	ROLLER, OPENER,3.5 X 1.25 X .5
5	286038-01	1	TORSION SPRING
6	902000-9	10	WASHER, FLAT.375X.032 THK
7	901002	10	NUT, NYLON 3/8-16 ZINC
8	900014-9	8	SCREW,HEX CAP.38-16X2.25,G8,ZC
9	296872-01G	1	SHACKLE WLDM'T,HB,LH,4.63,G
9	296872-03G	1	SHACKLE WLDM'T,HB/LB,LH,5.00G
9	296872-05G	1	SHACKLE WLDM'T,LB,LH,5.25,G
10	296872-02G	1	SHACKLE WLDM'T,HB,RH,4.63,G
10	296872-04G	1	SHACKLE WLDM'T,HB/LB,RH,5.00,G
10	296872-06G	1	SHACKLE WLDM'T,LB,RH,5.25,G
11	900014-18	2	SCREW,HEX CAP.38-16X2.75,G8,ZC
12	286038-02	1	TORSION SPRING

SPARE PARTS LIST

TE-15/20/25/30

TE-25/30 MAIN ASSEMBLY GALVANIZED WITH DUAL TORSION SPRINGS, PINS AND BUSHINGS

JAN 2021 to present





04/28/2023

Page

52

of

126

Spare Parts

SPARE PARTS LIST

TE-15/20/25/30

Pos	CPN	Qty	Description
1	260916-08	16	BEARING,SELF LUBE 1"DIA X.75"
2	905202-03	2	PIN CLEVIS, .500 DIA X 2.50
3	030805	2	COTTER PIN 1/8 X 1"
4	262981	2	PIN 1"DIA X 14.00"LG
5	252686	6	PIN 1"DIA. 4.00"LG
6	286074-01	2	PIN, CYLINDER

SPARE PARTS LIST

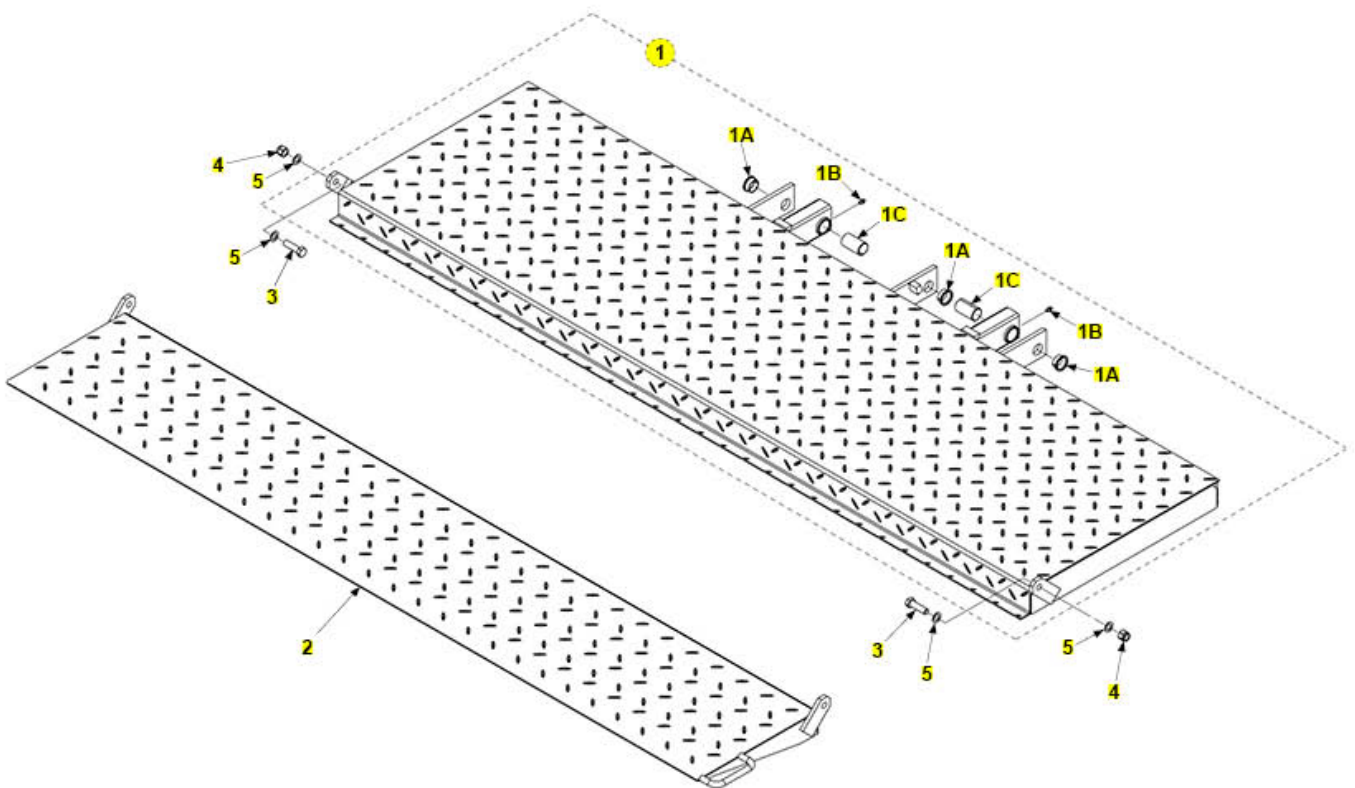
TE-15/20/25/30

TE-15/20 STEEL PLATFORM AND FLIPOVER ASSEMBLY

COMPLETE ASSEMBLY:

JAN 2021 to present

TE-15/20 STEEL PLATFORM AND FLIPOVER ASSEMBLY



SPARE PARTS LIST**TE-15/20/25/30**

Pos	CPN	Qty	Description
REF	298025-05	1	P/F & F/O ASSY,80X22+14 ST,W/OUT HOOK
REF	298025-05G	1	P/F & F/O ASSY,80X22+14 ST,W/OUT HOOK,G
1	298006-02	1	P/F ASSY,22X80,TE-15/TE-20,W/OUT HOOK
1	298006-02G	1	P/F ASSY,22X80,TE-15/TE-20,W/OUT HOOK,G
1A	908002-03	3	BEARING,SELF LUB.1ID X.5 LG
1B	224342	2	FITTING, GREASE 1/4"SELF DRILL
1C	260916-03	2	BEARING SELF LUBE 1DIAX2.00IN
2	298037-01	1	F/O WLDMT 80X14WG TE-15/TE-20
2	298037-01G	1	F/O WLDMT 80X14WG TE-15/TE-20,G
3	900033-4	2	SCREW, CAP.5-20X1.75 GR8 ZC
4	901008	2	NUT, NYLON 1/2-20 ZC
5	902000-14	4	WASHER, FLAT .500X.063 THK

SPARE PARTS LIST

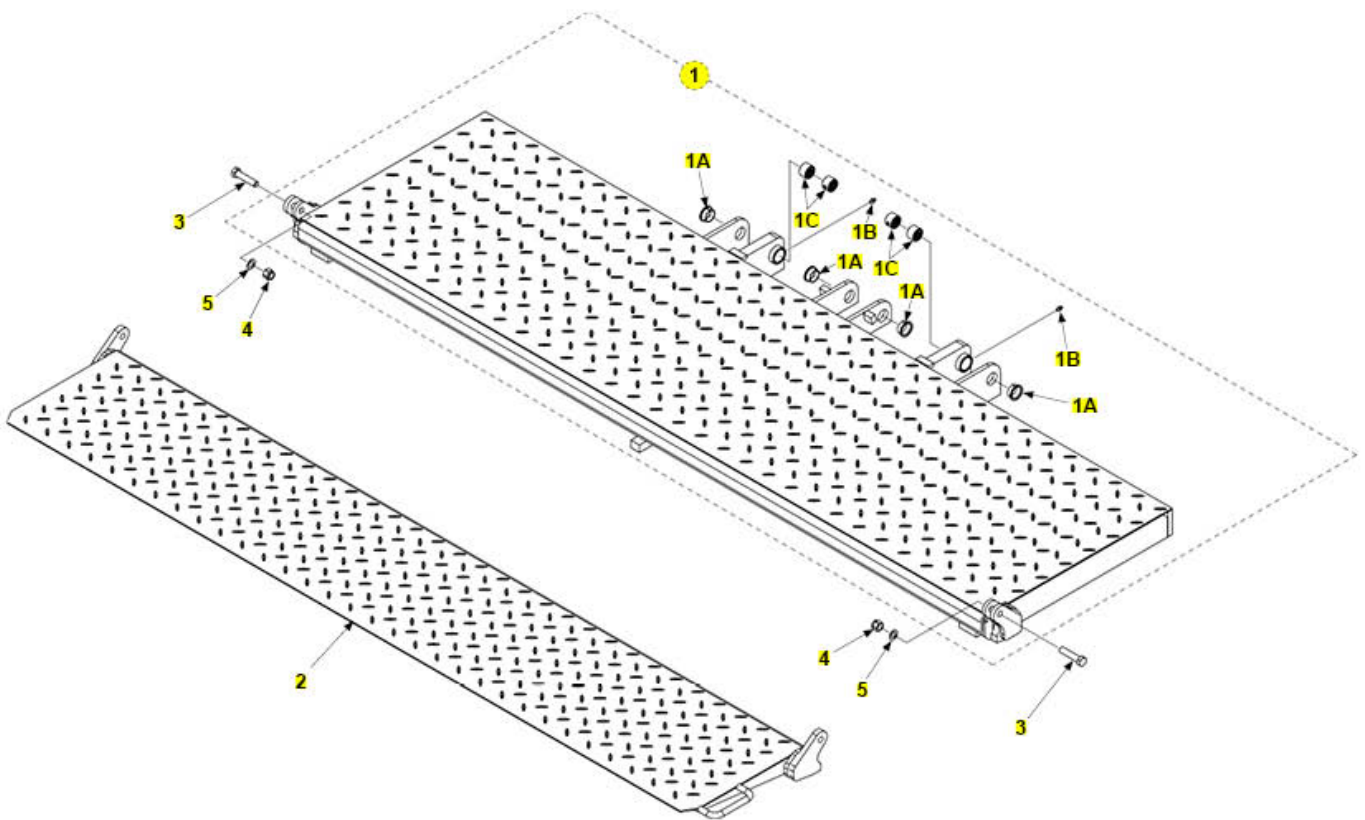
TE-15/20/25/30

TE-25/30 STEEL PLATFORM AND FLIPOVER ASSEMBLY WITHOUT TORSION BAR

COMPLETE ASSEMBLY:

TE-25/30 STEEL PLATFORM AND FLIPOVER ASSEMBLY WITHOUT TORSION BAR

JAN 2021 to present



SPARE PARTS LIST**TE-15/20/25/30**

Pos	CPN	Qty	Description
REF	299385-01	1	P/F & F/O ASSY,80X22+14 ST
REF	299385-01G	1	P/F & F/O ASSY,80X22+14 ST,GAL
1	299380-01	1	P/F ASSY,STL 80X22
1	299380-01G	1	P/F ASSY,STL 80X22,G
1A	908002-03	4	BEARING,SELF LUB.1ID X.5 LG
1B	224342	2	FITTING, GREASE 1/4"SELF DRILL
1C	908178-01	4	BEARING,PRE LUBRICATING 1.00ID X .75 LG
2	296870-01	1	F/O WLDMT,ST 80 X 14,WDG
2	296870-01G	1	F/O WLDMT,ST 80 X 14,WDG,G
3	900033-6	2	SCREW, CAP.5-20X2.25 GR8 ZC
4	901008	2	NUT, NYLON 1/2-20 ZC
5	902000-14	2	WASHER, FLAT .500X.063 THK

SPARE PARTS LIST

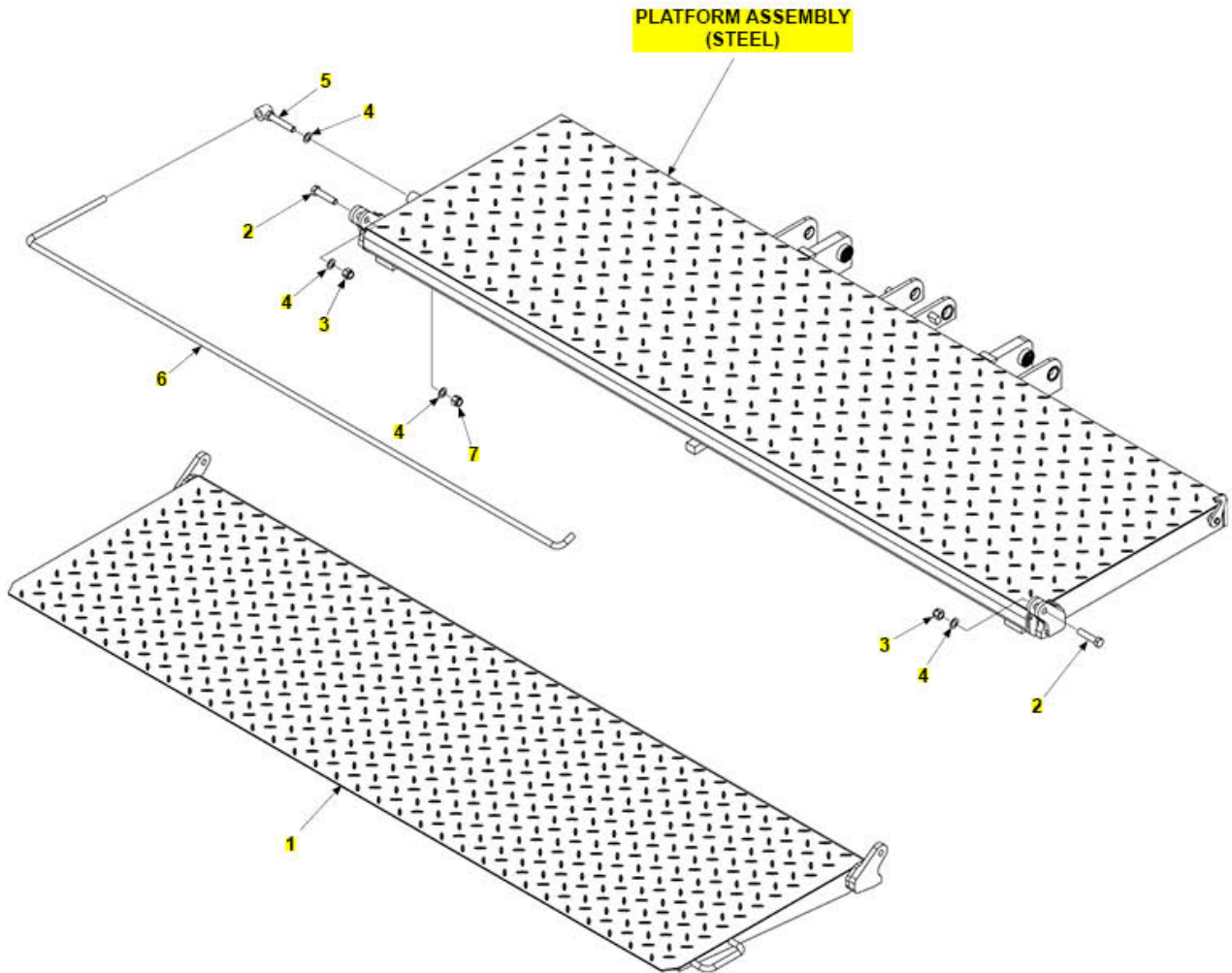
TE-15/20/25/30

TE-25/30 STEEL PLATFORM AND FLIPOVER ASSEMBLY WITH TORSION BAR

COMPLETE ASSEMBLY:

TE-25/30 STEEL PLATFORM AND FLIPOVER ASSEMBLY WITH TORSION BAR

JAN 2021 to present



SPARE PARTS LIST

TE-15/20/25/30

Pos	CPN	Qty	Description
REF	299385-02	1	P/F & F/O ASSY,80X24+24 ST
REF	299385-02G	1	P/F & F/O ASSY,80X24+24 ST,GAL
1	296870-02	1	F/O WLDMT,ST 80X24,WDG,TB
1	296870-02G	1	F/O WLDMT,ST 80X24,WDG,TB,G
2	900033-6	2	SCREW, CAP.5-20X2.25 GR8 ZC
3	901008	2	NUT, NYLON 1/2-20 ZC
4	902000-14	4	WASHER, FLAT .500X.063 THK
5	280749-02	1	ANCHOR BOLT WLDMT, ZINC PLATE
6	280751-01	1	TORSION BAR
7	901010	1	NUT, NYLON LOCK 1/2-13 ZC

SPARE PARTS LIST

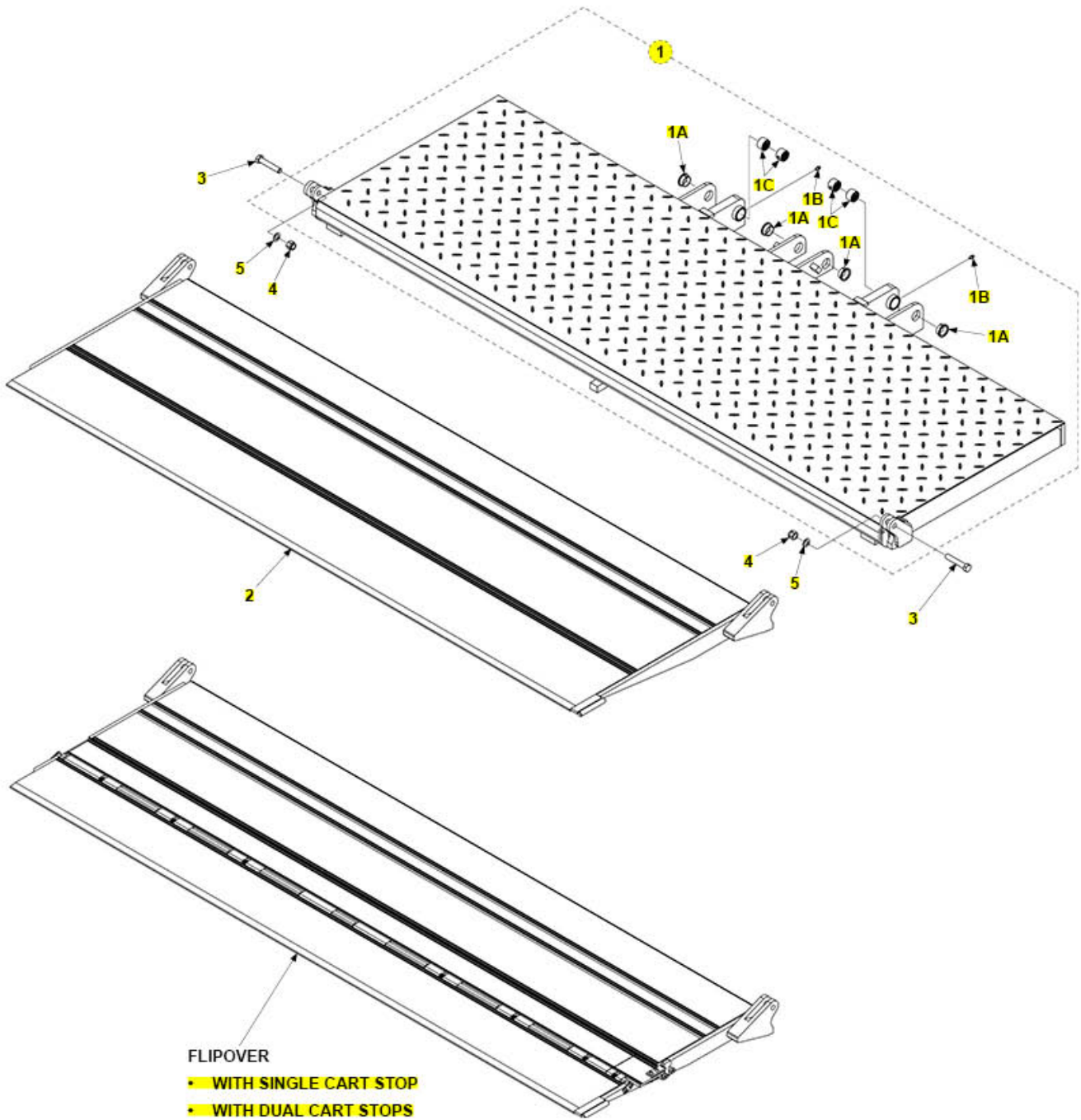
TE-15/20/25/30

TE-25/30 STEEL PLATFORM AND ALUMINUM FLIPOVER ASSEMBLY

COMPLETE ASSEMBLY:

JAN 2021 to JUN 2021

TE-25/30 STEEL PLATFORM AND
ALUMINUM FLIPOVER ASSEMBLY



SPARE PARTS LIST

TE-15/20/25/30

Pos	CPN	Qty	Description
REF	299385-04	1	P/F & F/O ASSY,80X24+24,ST-AL NCS
REF	299385-04G	1	P/F & F/O ASSY,80X24+24,ST-AL NCS,GAL
REF	299385-05	1	P/F & F/O ASSY,80X26+26,ST-AL NCS
REF	299385-05G	1	P/F & F/O ASSY,80X26+26,ST-AL NCS,GAL
REF	299385-06	1	P/F & F/O ASSY,80X24+24,ST-AL SCS
REF	299385-06G	1	P/F & F/O ASSY,80X24+24,ST-AL SCS,GAL
REF	299385-07	1	P/F & F/O ASSY,80X26+26,ST-AL SCS
REF	299385-07G	1	P/F & F/O ASSY,80X26+26,ST-AL SCS,GAL
REF	299385-08	1	P/F & F/O ASSY,80X24+24,ST-AL DCS
REF	299385-08G	1	P/F & F/O ASSY,80X24+24,ST-AL DCS,GAL
REF	299385-09	1	P/F & F/O ASSY,80X26+26,ST-AL DCS
REF	299385-09G	1	P/F & F/O ASSY,80X26+26,ST-AL DCS,GAL
1	299380-02	1	P/F ASSY,STL 80X26
1	299380-02G	1	P/F ASSY,STL 80X26,G
1	299380-04	1	P/F ASSY,STL 80X24,W/OUT LATCH
1	299380-04G	1	P/F ASSY,STL 80X24,W/OUT LATCH,G
1A	908002-03	4	BEARING,SELF LUB.1ID X.5 LG
1B	224342	2	FITTING, GREASE 1/4"SELF DRILL
1C	908178-01	4	BEARING,PRE LUBRICATING 1.00ID X .75 LG
2	296879-01	1	F/O WLDMT, AL 80X24, NCS
2	296879-02	1	F/O WLDMT,AL 80X26,NCS
3	900033-8	2	SCREW, CAP.5-20X2.75 GR8 ZC
4	901008	2	NUT, NYLON 1/2-20 ZC
5	902000-14	2	WASHER, FLAT .500X.063 THK

SPARE PARTS LIST

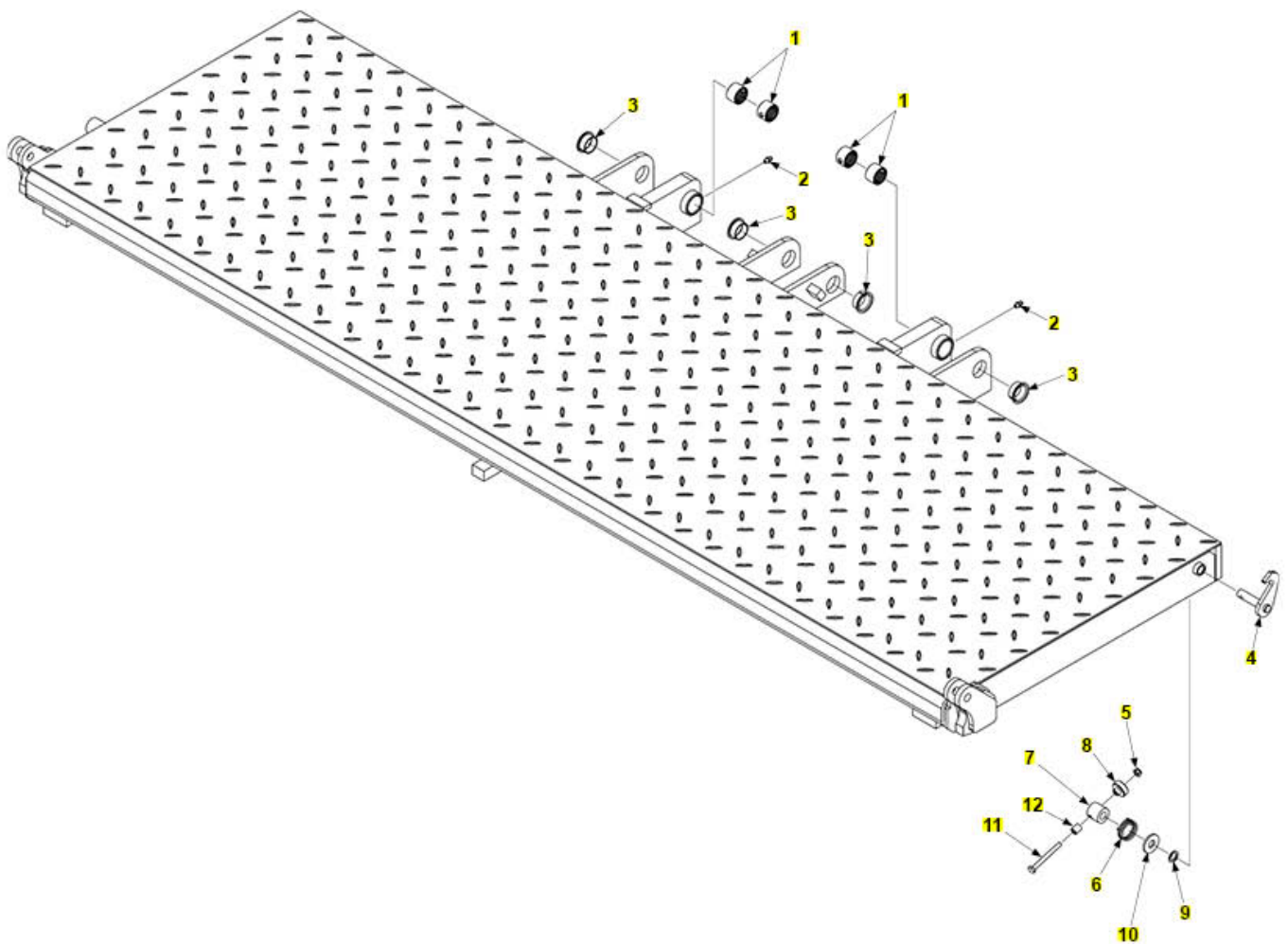
TE-15/20/25/30

TE-25/30 PLATFORM ASSEMBLY (STEEL)

COMPLETE ASSEMBLY:

TE-25/30 PLATFORM ASSEMBLY (STEEL)

JAN 2021 to present



SPARE PARTS LIST**TE-15/20/25/30**

Pos	CPN	Qty	Description
REF	299380-03	1	P/F ASSY,STL 80X24,W/LATCH
REF	299380-03G	1	P/F ASSY,STL 80X24,W/LATCH,G
1	908178-01	4	BEARING,PRE LUBRICATING 1.00ID X .75 LG
2	224342	2	FITTING, GREASE 1/4"SELF DRILL
3	908002-03	4	BEARING,SELF LUB.1ID X.5 LG
4	284828-01	1	HOOK WLDMT, P/F & F/O
5	901016-2	1	NUT HEX THN HD LKG.250-20UNC
6	284849-01	1	TORSION SPRING, SS TE-25
7	284833-01	1	BUSHING, NYL 1.0X.52 IDX.91
8	284832-01	1	SPACER, NYLON, 1" OD
9	903413-02	1	WASHER,6/6 NYLON.5IDX.062TH
10	284852-01	1	WASHER,ZC 1.25X.52X.125 THK
11	900004-10	1	SCREW, CAP 1/4-20X2-1/2 GR8 ZC
12	284851-01	1	SPACER, NYLON .44X.63LGX.266

SPARE PARTS LIST

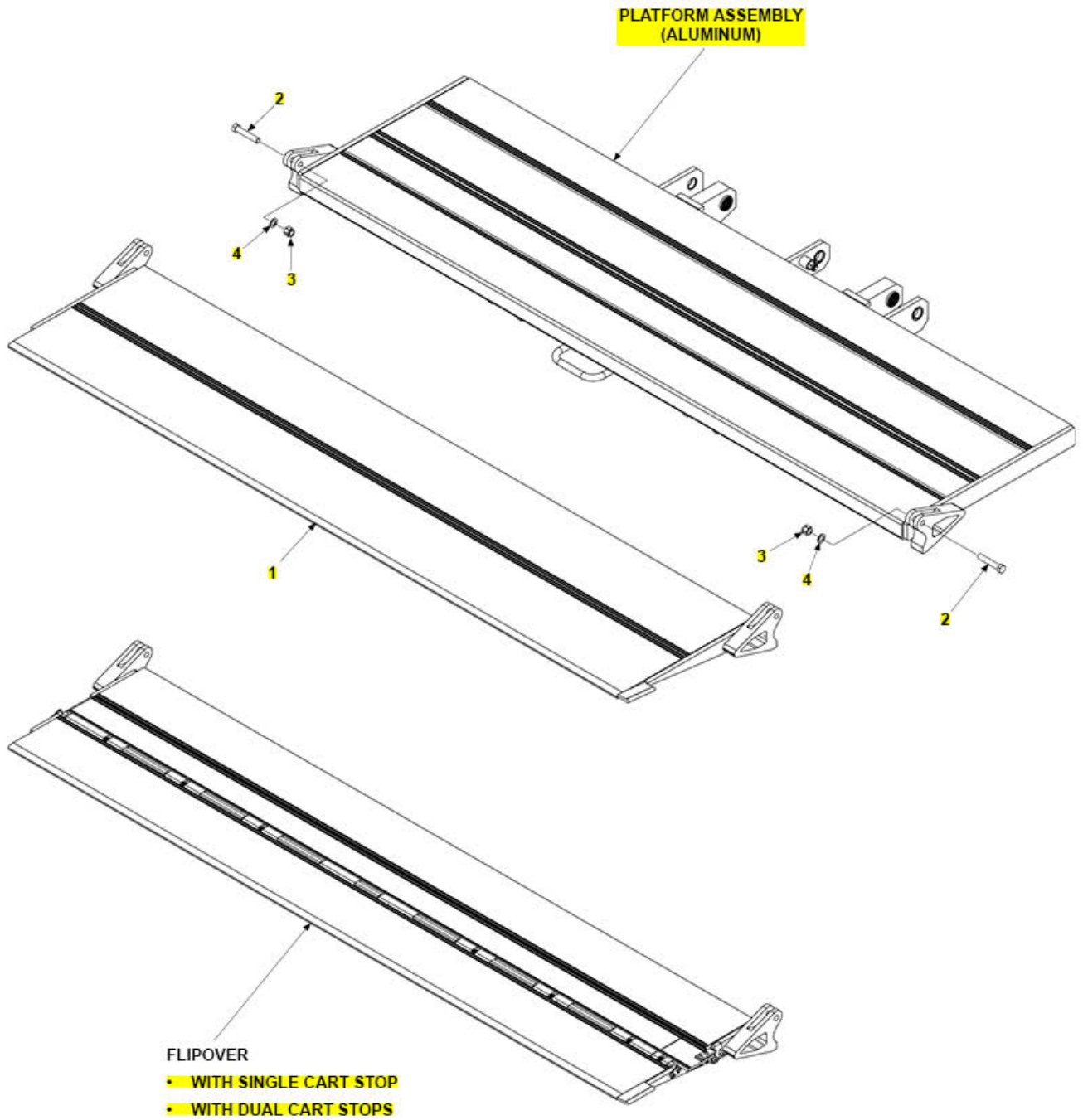
TE-15/20/25/30

TE-20 ALUMINUM PLATFORM AND FLIPOVER ASSEMBLY

COMPLETE ASSEMBLY:

TE-20 ALUMINUM PLATFORM AND FLIPOVER ASSEMBLY

AUG 2021 to present



SPARE PARTS LIST**TE-15/20/25/30**

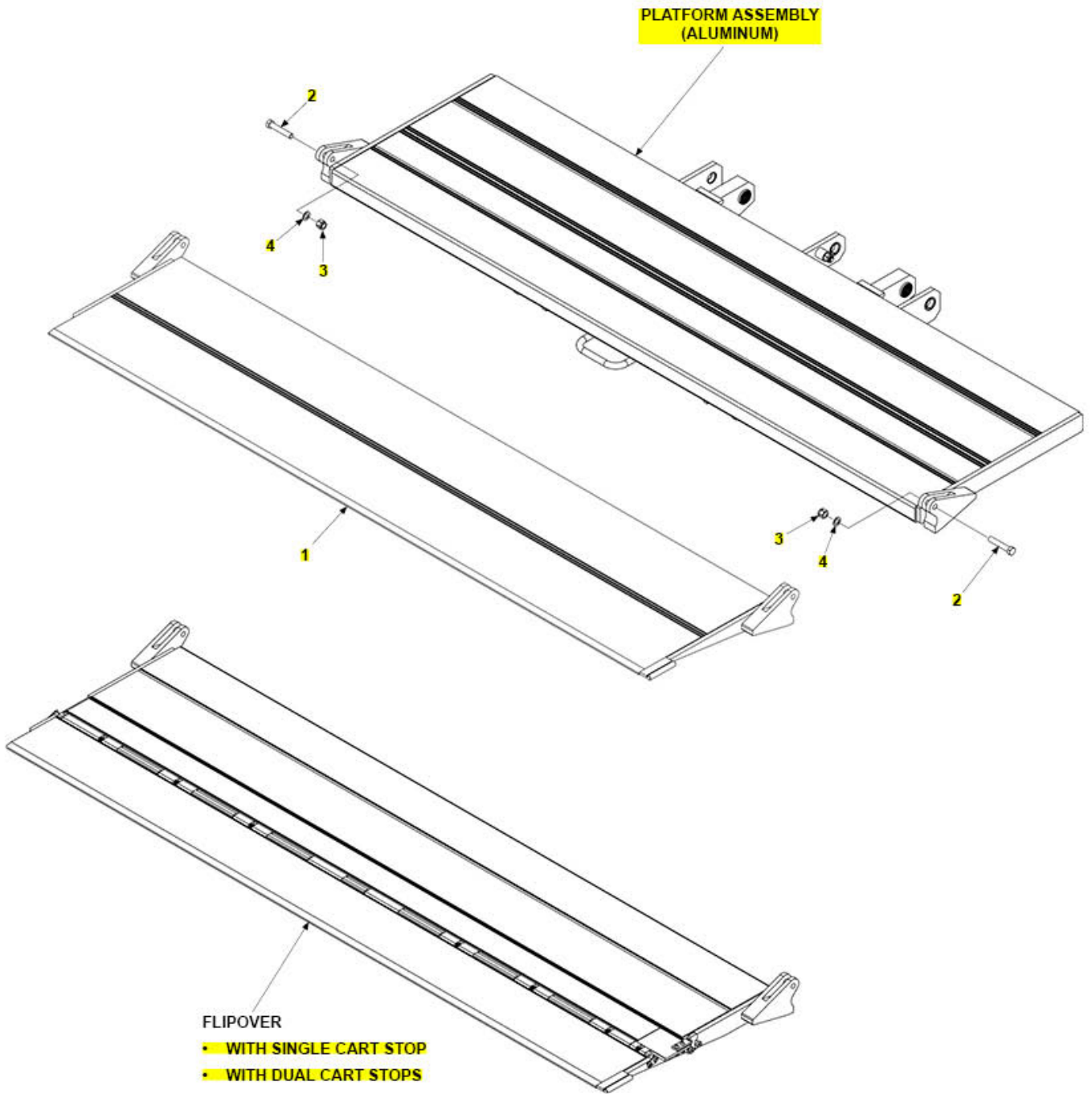
Pos	CPN	Qty	Description
REF	298025-06	1	P/F & F/O ASSY,80X22+18 AL-AL,NCS,NO HOOK
REF	298025-07	1	P/F & F/O ASSY,80X22+18 AL-AL,SCS,NO HOOK
REF	298025-08	1	P/F & F/O ASSY,80X22+18 AL-AL,DCS,NO HOOK
1	211927-03	1	F/O WLDMT, AL80X18, NCS
2	900033-8	2	SCREW, CAP.5-20X2.75 GR8 ZC
3	901008	2	NUT, NYLON 1/2-20 ZC
4	902000-14	2	WASHER, FLAT .500X.063 THK

SPARE PARTS LIST

TE-15/20/25/30

TE-15/20 ALUMINUM PLATFORM AND FLIPOVER ASSEMBLY

JAN 2021 to JUL 2021





04/28/2023

Page

66

of

126

Spare Parts

SPARE PARTS LIST

TE-15/20/25/30

Pos	CPN	Qty	Description
1	296879-03	1	F/O WLDMT, AL 80X18, NCS
2	900033-8	2	SCREW, CAP.5-20X2.75 GR8 ZC
3	901008	2	NUT, NYLON 1/2-20 ZC
4	902000-14	2	WASHER, FLAT .500X.063 THK

SPARE PARTS LIST

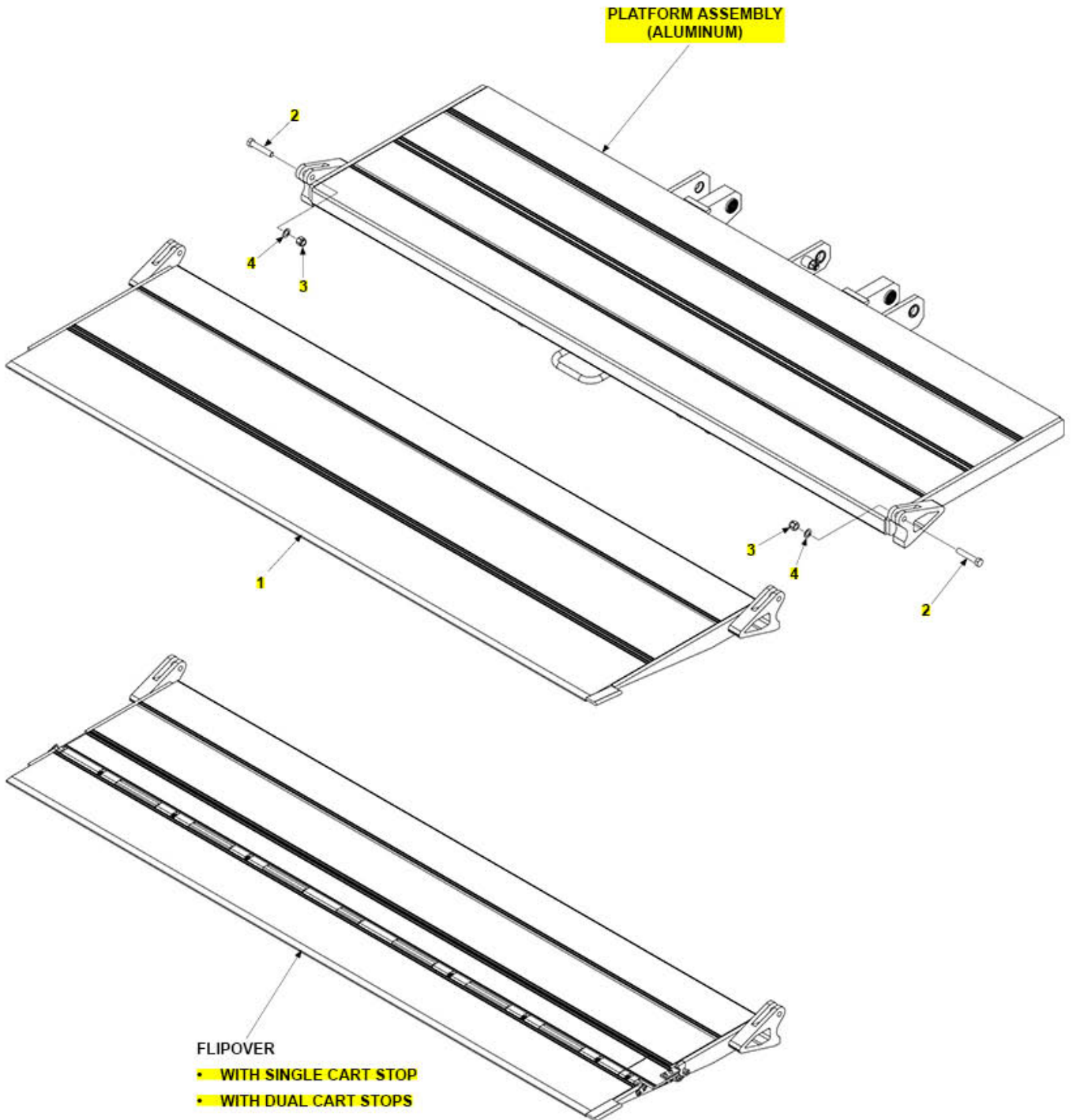
TE-15/20/25/30

TE-25/30 ALUMINUM PLATFORM AND FLIPOVER ASSEMBLY

COMPLETE ASSEMBLY:

TE-25/30 ALUMINUM PLATFORM AND FLIPOVER ASSEMBLY

AUG 2021 to present



SPARE PARTS LIST**TE-15/20/25/30**

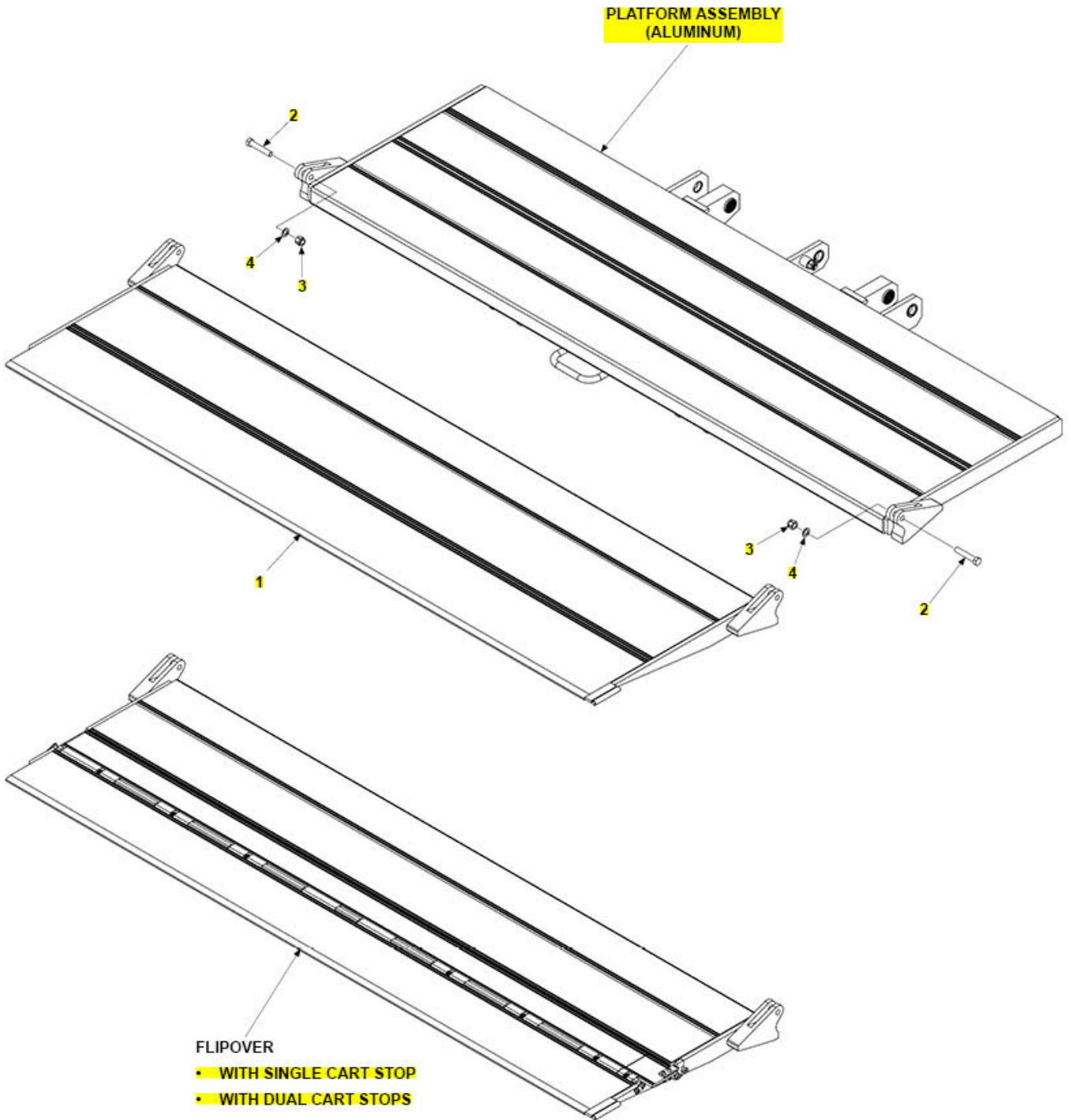
Pos	CPN	Qty	Description
REF	299385-10	1	P/F & F/O ASSY,80X24+24,AL-AL,NCS
REF	299385-11	1	P/F & F/O ASSY,80X26+26,AL-AL,NCS
REF	299385-12	1	P/F & F/O ASSY,80X24+24,AL-AL,SCS
REF	299385-13	1	P/F & F/O ASSY,80X26+26,AL-AL,SCS
REF	299385-14	1	P/F & F/O ASSY,80X24+24,AL-AL,DCS
REF	299385-15	1	P/F & F/O ASSY,80X26+26,AL-AL,DCS
1	211927-01	1	F/O WLDMT, AL80X24, NCS
1	211927-02	1	F/O WLDMT, AL80X26, NCS
2	900033-8	2	SCREW, CAP.5-20X2.75 GR8 ZC
3	901008	2	NUT, NYLON 1/2-20 ZC
4	902000-14	2	WASHER, FLAT .500X.063 THK

SPARE PARTS LIST

TE-15/20/25/30

TE-25/30 ALUMINUM PLATFORM AND FLIPOVER ASSEMBLY

JAN 2021 to JUL 2021





04/28/2023

Page

70

of

126

Spare Parts

SPARE PARTS LIST

TE-15/20/25/30

Pos	CPN	Qty	Description
1	296879-01	1	F/O WLDMT, AL 80X24, NCS
1	296879-02	1	F/O WLDMT,AL 80X26,NCS
2	900033-8	2	SCREW, CAP.5-20X2.75 GR8 ZC
3	901008	2	NUT, NYLON 1/2-20 ZC
4	902000-14	2	WASHER, FLAT .500X.063 THK

SPARE PARTS LIST

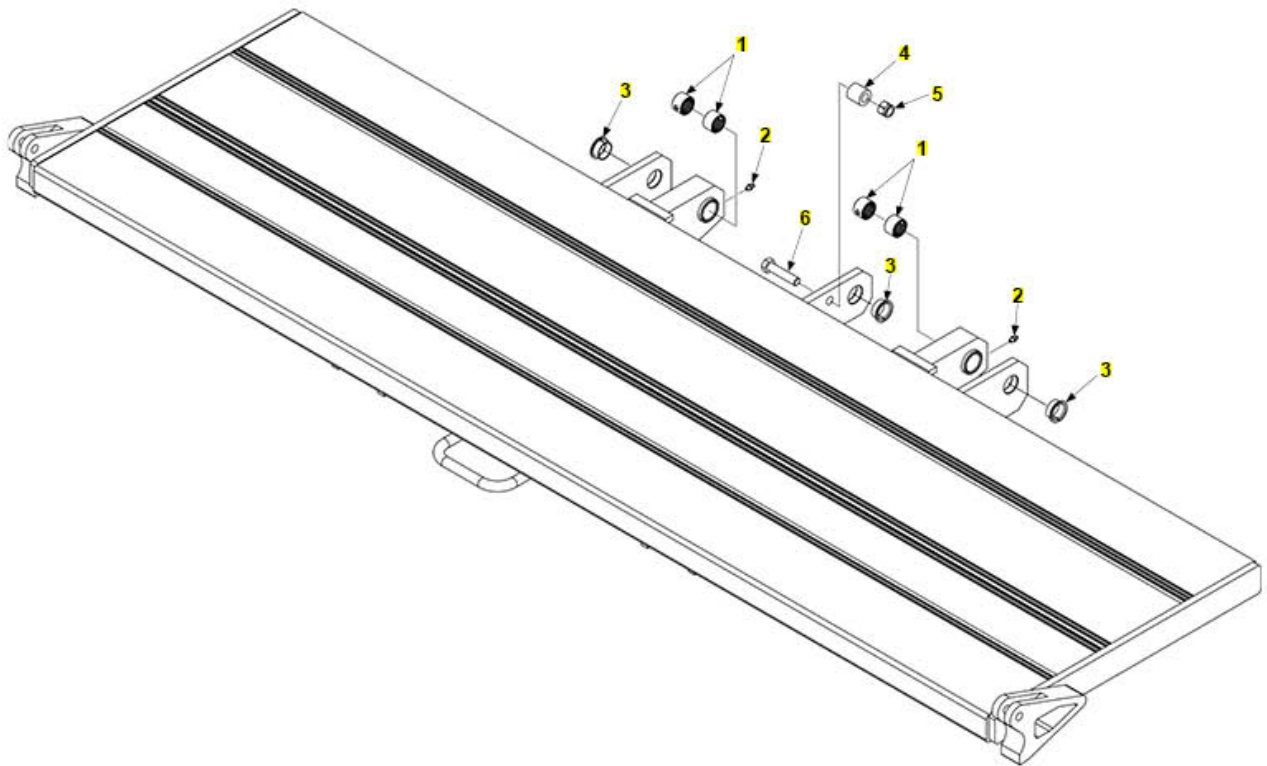
TE-15/20/25/30

TE-20 PLATFORM ASSEMBLY (ALUMINUM)

COMPLETE ASSEMBLY:

TE-20 PLATFORM ASSEMBLY (ALUMINUM)

AUG 2021 to present



SPARE PARTS LIST**TE-15/20/25/30**

Pos	CPN	Qty	Description
REF	211924-06	1	P/F ASSY, AL 80 X 22, NO HOOK
1	908178-01	4	BEARING,PRE LUBRICATING 1.00ID X .75 LG
2	224342	2	FITTING, GREASE 1/4"SELF DRILL
3	908002-03	3	BEARING,SELF LUB.1ID X.5 LG
4	286053-01	1	BUSHING, PLATFORM SPRING
5	901010	1	NUT, NYLON LOCK 1/2-13 ZC
6	900035-6	1	SCREW,CAP HXHD.5-13UNC-2A 2.25

SPARE PARTS LIST

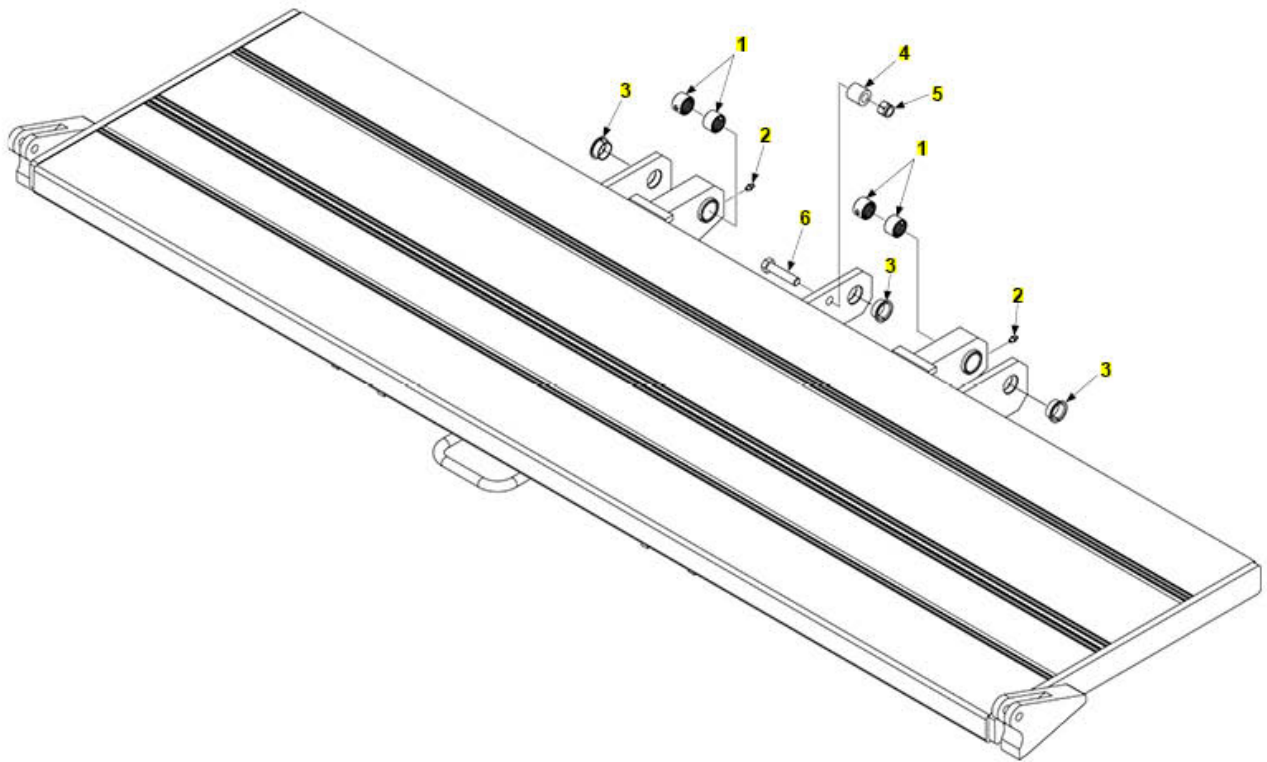
TE-15/20/25/30

TE-15/20 PLATFORM ASSEMBLY (ALUMINUM)

COMPLETE ASSEMBLY:

TE-15/20 PLATFORM ASSEMBLY (ALUMINUM)

JAN 2021 to JUL 2021



SPARE PARTS LIST**TE-15/20/25/30**

Pos	CPN	Qty	Description
REF	296893-06	1	P/F ASSY, AL 80 X 22,NO HOOK
1	908178-01	4	BEARING,PRE LUBRICATING 1.00ID X .75 LG
2	224342	2	FITTING, GREASE 1/4"SELF DRILL
3	908002-03	3	BEARING,SELF LUB.1ID X.5 LG
4	286053-01	1	BUSHING, PLATFORM SPRING
5	901010	1	NUT, NYLON LOCK 1/2-13 ZC
6	900035-6	1	SCREW,CAP HXHD.5-13UNC-2A 2.25

SPARE PARTS LIST

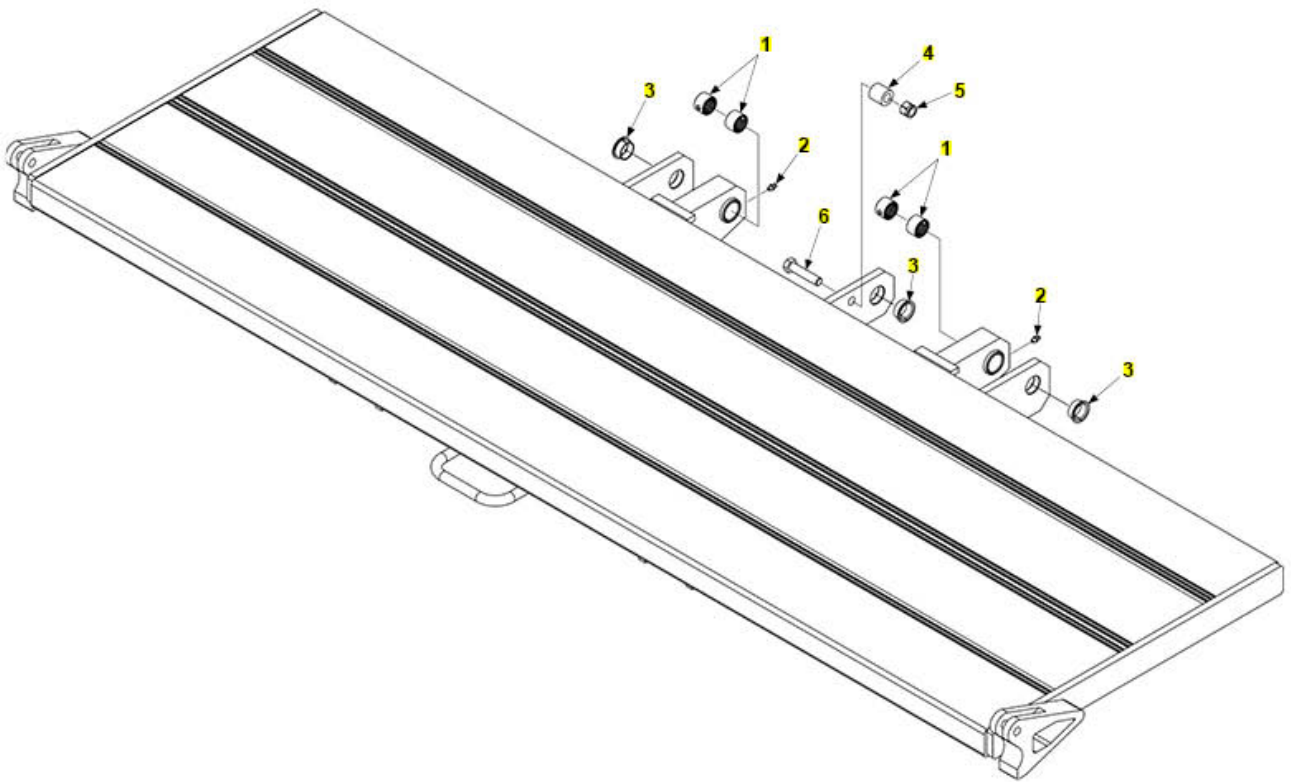
TE-15/20/25/30

TE-25/30 PLATFORM ASSEMBLY (ALUMINUM)

COMPLETE ASSEMBLY:

TE-25/30 PLATFORM ASSEMBLY (ALUMINUM)

AUG 2021 to present



SPARE PARTS LIST**TE-15/20/25/30**

Pos	CPN	Qty	Description
REF	211924-04	1	P/F ASSY, AL 80 X 24, NO HOOK
REF	211924-05	1	P/F ASSY, AL 80 X 26, NO HOOK
1	908178-01	4	BEARING,PRE LUBRICATING 1.00ID X .75 LG
2	224342	2	FITTING, GREASE 1/4"SELF DRILL
3	908002-03	3	BEARING,SELF LUB.1ID X.5 LG
4	286053-01	1	BUSHING, PLATFORM SPRING
5	901010	1	NUT, NYLON LOCK 1/2-13 ZC
6	900035-6	1	SCREW,CAP HXHD.5-13UNC-2A 2.25

SPARE PARTS LIST

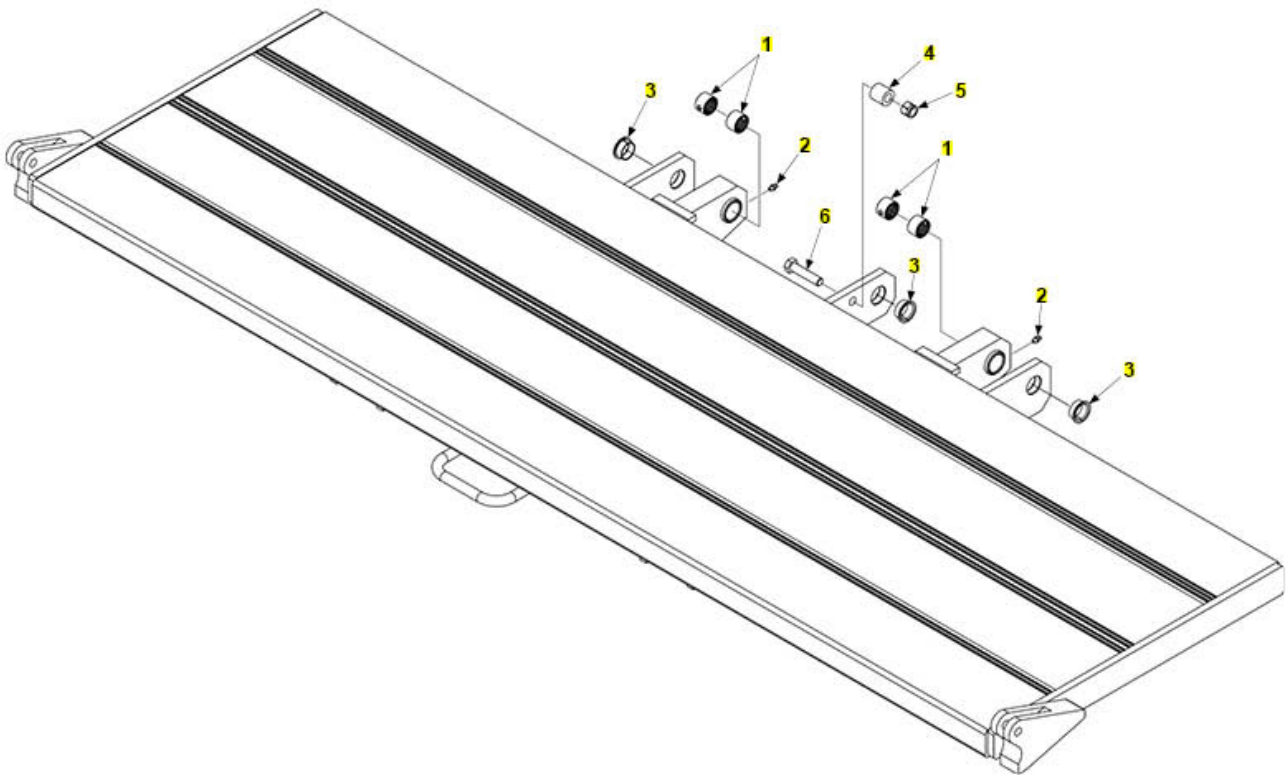
TE-15/20/25/30

TE-25/30 PLATFORM ASSEMBLY (ALUMINUM)

COMPLETE ASSEMBLY:

TE-25/30 PLATFORM ASSEMBLY (ALUMINUM)

JAN 2021 to JUL 2021



SPARE PARTS LIST**TE-15/20/25/30**

Pos	CPN	Qty	Description
REF	296893-04	1	P/F ASSY, AL 80 X 24,NO HOOK
REF	296893-05	1	P/F ASSY, AL 80 X 26,NO HOOK
1	908178-01	4	BEARING,PRE LUBRICATING 1.00ID X .75 LG
2	224342	2	FITTING, GREASE 1/4"SELF DRILL
3	908002-03	3	BEARING,SELF LUB.1ID X.5 LG
4	286053-01	1	BUSHING, PLATFORM SPRING
5	901010	1	NUT, NYLON LOCK 1/2-13 ZC
6	900035-6	1	SCREW,CAP HXHD.5-13UNC-2A 2.25

SPARE PARTS LIST

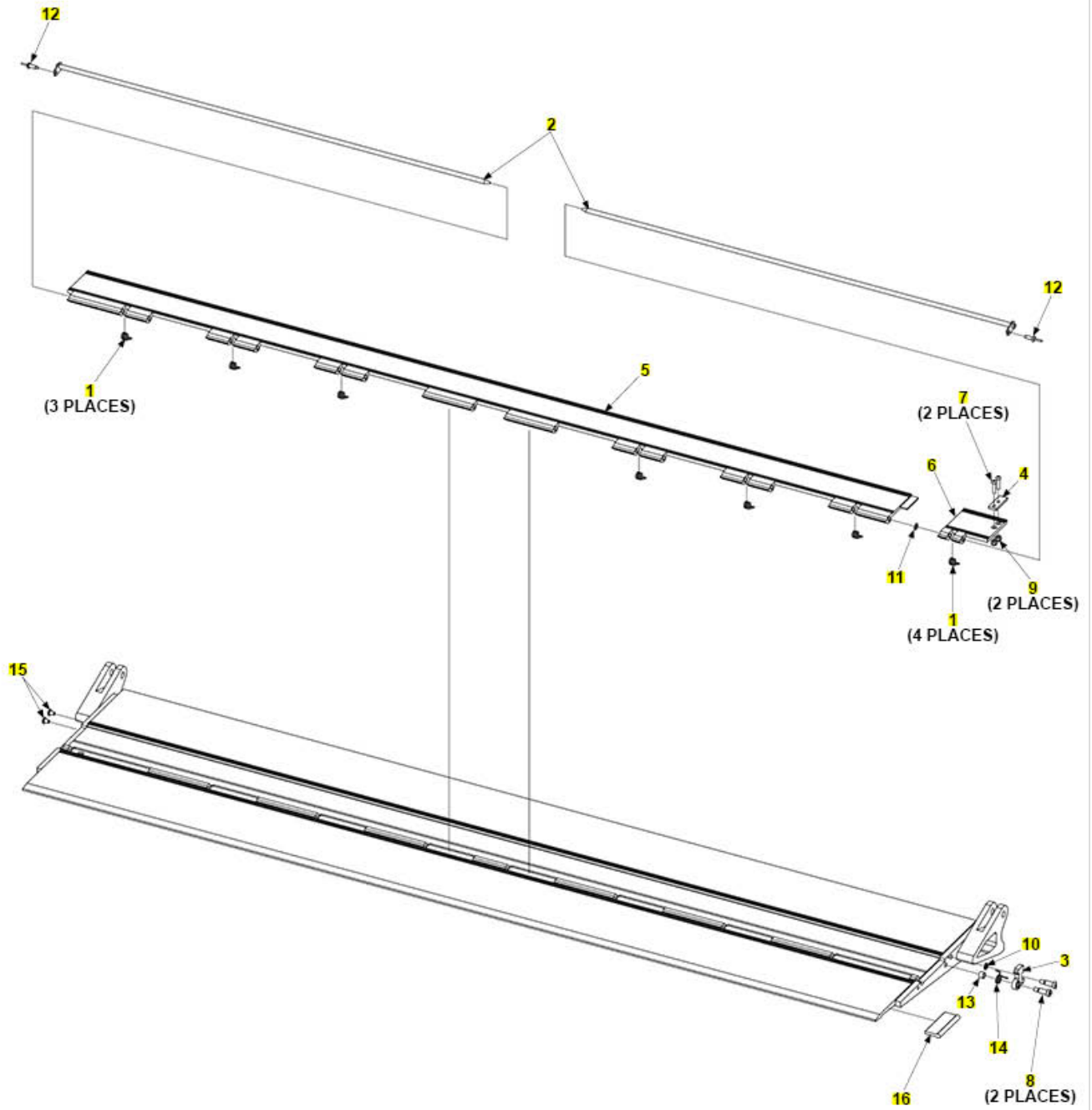
TE-15/20/25/30

TE-20 FLIPOVER WITH SINGLE CART STOP

COMPLETE ASSEMBLY:

TE-20 FLIPOVER WITH SINGLE CART STOP

AUG 2021 to present



SPARE PARTS LIST

TE-15/20/25/30

Pos	CPN	Qty	Description
REF	211926-05	1	F/O ASSY, AL EXTRN HGN, SCS, 80X18
1	282729-01	7	SPRING, C/S .08 WIRE, 302 SS
2	282738-03	2	PIN WLDMT, CART STOP
3	282739-01	1	HOOK, CART STOP LOCKING
4	282748-01	1	FLAT, C/S LOCK SUPPORT
5	286055-01	1	SINGLE CART STOP, 80" F/O
6	286099-02	1	LOCK-HINGE, CART STOP, RH
7	900005-4	2	SCREW, BUTTON 1/4-20X1 ALLOY
8	900723-05	2	SCREW,SHLDR.38 X.75 LG,SS
9	901000	2	NUT, NYLON 1/4-20 ZINC
10	902000-8	1	WASHER, FLAT .312 .063 THK
11	903402-08	1	WASHER,FLAT,NYLON,.38ID X.56OD
12	903715-06	2	RIVET,BL/DM,AL/AL .25X.62-.75
13	905328-01	1	BEARING, NYL .38IDX.5ODX.38LG
14	282749-02	1	SPRING,RH HOOK,.078 WIRE,302SS
15	908022-07	2	PLUG, FLEXIBLE .275X.511
16	311367-10	1	EXTRUSION, HANDLE, AL F/O

SPARE PARTS LIST

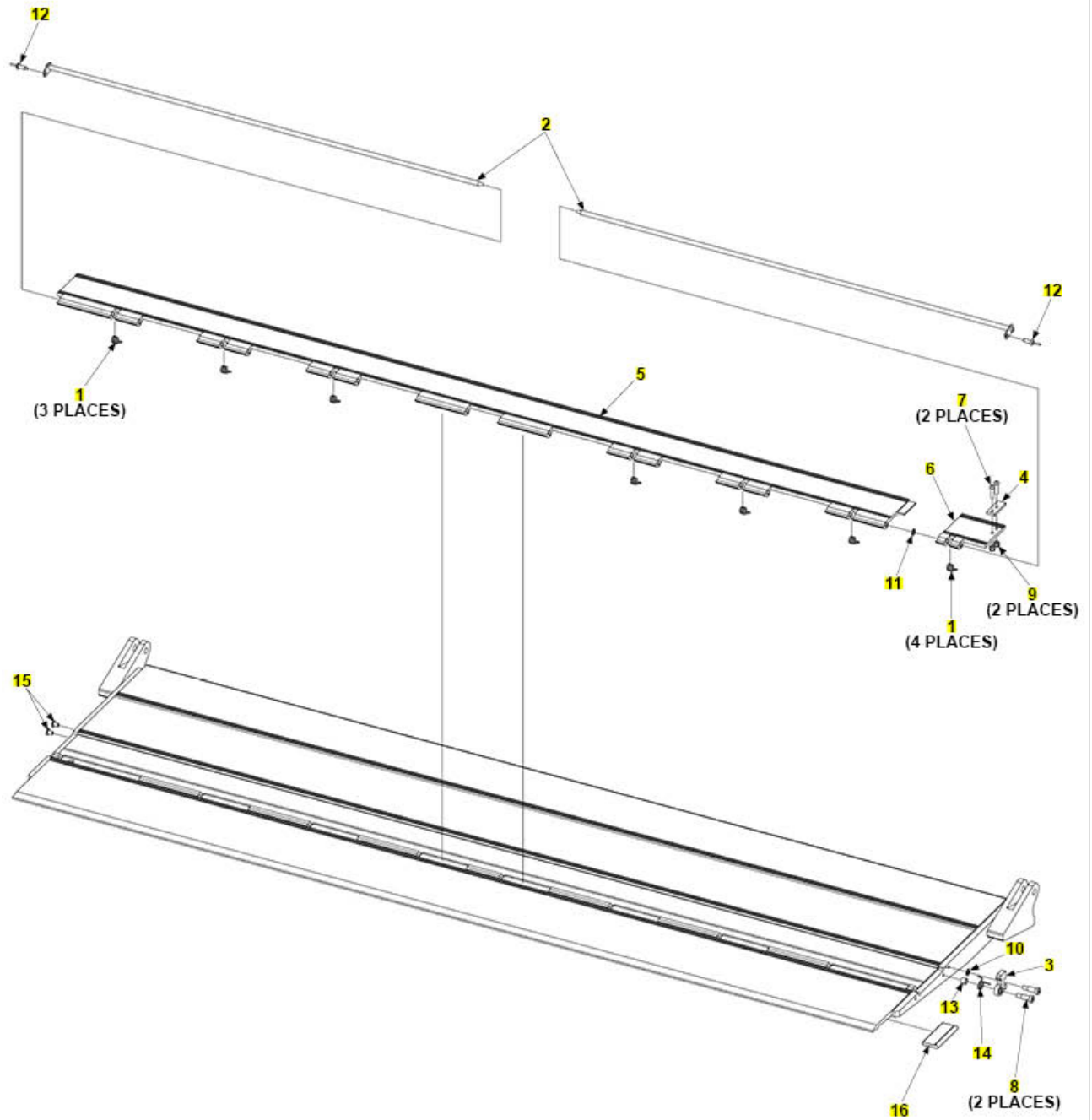
TE-15/20/25/30

TE-15/20 FLIPOVER WITH SINGLE CART STOP

COMPLETE ASSEMBLY:

JAN 2021 to JUL 2021

TE-15/20 FLIPOVER WITH SINGLE CART STOP



SPARE PARTS LIST**TE-15/20/25/30**

Pos	CPN	Qty	Description
REF	296895-05	1	F/O ASSY, AL, EXTRN HNG, SCS, 80X18
1	282729-01	7	SPRING, C/S .08 WIRE, 302 SS
2	282738-03	2	PIN WLDMT, CART STOP
3	282739-01	1	HOOK, CART STOP LOCKING
4	282748-01	1	FLAT, C/S LOCK SUPPORT
5	286055-01	1	SINGLE CART STOP, 80" F/O
6	286099-02	1	LOCK-HINGE, CART STOP, RH
7	900005-4	2	SCREW, BUTTON 1/4-20X1 ALLOY
8	900723-05	2	SCREW,SHLDR.38 X.75 LG,SS
9	901000	2	NUT, NYLON 1/4-20 ZINC
10	902000-8	1	WASHER, FLAT .312 .063 THK
11	903402-08	1	WASHER,FLAT,NYLON,.38ID X.56OD
12	903715-06	2	RIVET,BL/DM,AL/AL .25X.62-.75
13	905328-01	1	BEARING, NYL .38IDX.5ODX.38LG
14	282749-02	1	SPRING,RH HOOK,.078 WIRE,302SS
15	908022-07	2	PLUG, FLEXIBLE .275X.511
16	311367-10	1	EXTRUSION, HANDLE, AL F/O

SPARE PARTS LIST

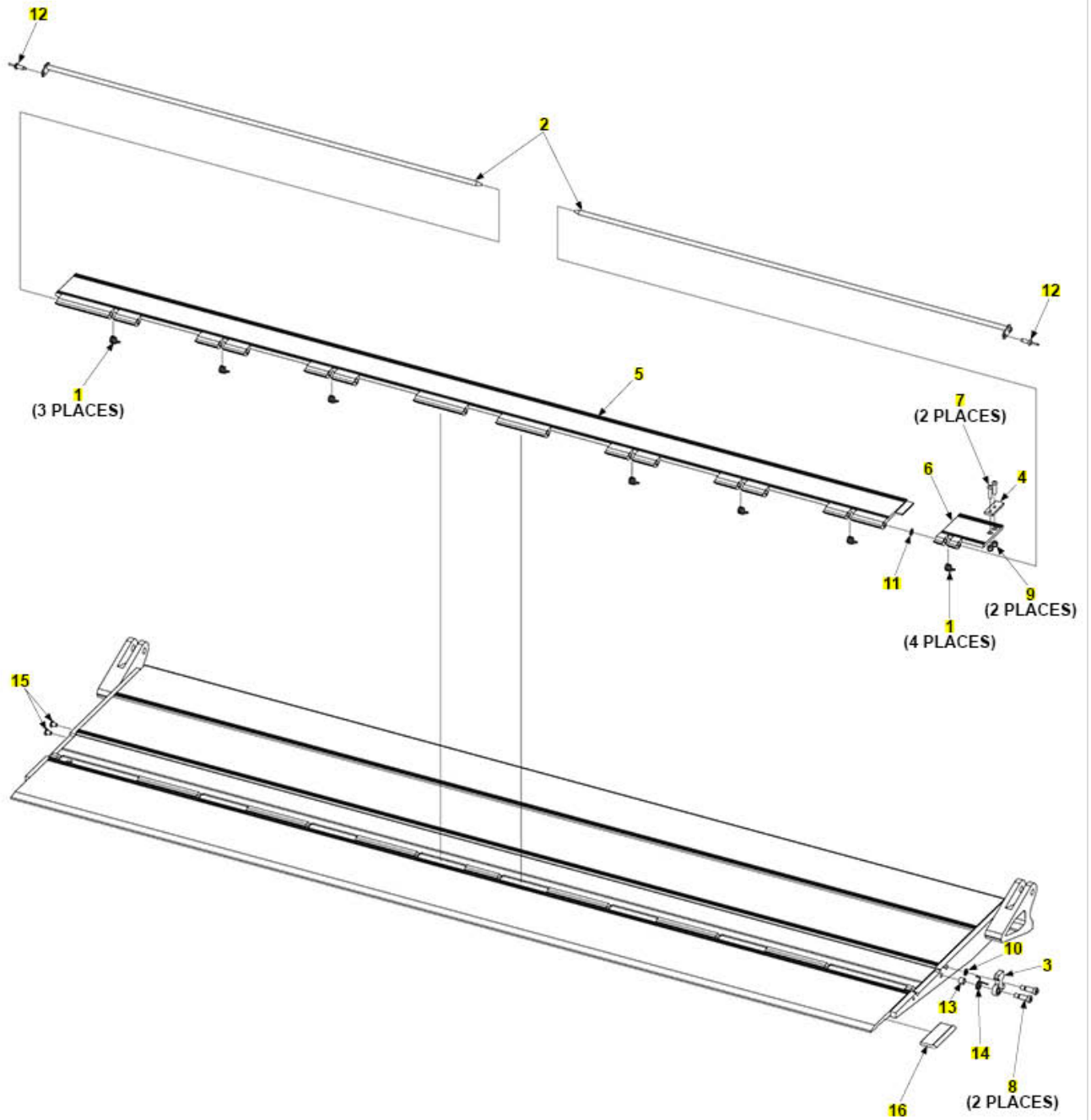
TE-15/20/25/30

TE-25/30 FLIPOVER WITH SINGLE CART STOP

COMPLETE ASSEMBLY:

TE-25/30 FLIPOVER WITH SINGLE CART STOP

AUG 2021 to present



SPARE PARTS LIST
TE-15/20/25/30

Pos	CPN	Qty	Description
REF	211926-01	1	F/O ASSY, AL EXTRN HGN, SCS, 80X24
REF	211926-02	1	F/O ASSY, AL EXTRN HGN, SCS, 80X26
1	282729-01	7	SPRING, C/S .08 WIRE, 302 SS
2	282738-03	2	PIN WLDMT, CART STOP
3	282739-01	1	HOOK, CART STOP LOCKING
4	282748-01	1	FLAT, C/S LOCK SUPPORT
5	286055-01	1	SINGLE CART STOP, 80" F/O
6	286099-02	1	LOCK-HINGE, CART STOP, RH
7	900005-4	2	SCREW, BUTTON 1/4-20X1 ALLOY
8	900723-05	2	SCREW,SHLDR.38 X.75 LG,SS
9	901000	2	NUT, NYLON 1/4-20 ZINC
10	902000-8	1	WASHER, FLAT .312 .063 THK
11	903402-08	1	WASHER,FLAT,NYLON,.38ID X.56OD
12	903715-06	2	RIVET,BL/DM,AL/AL .25X.62-.75
13	905328-01	1	BEARING, NYL .38IDX.5ODX.38LG
14	282749-02	1	SPRING,RH HOOK,.078 WIRE,302SS
15	908022-07	2	PLUG, FLEXIBLE .275X.511
16	311367-10	1	EXTRUSION, HANDLE, AL F/O

SPARE PARTS LIST

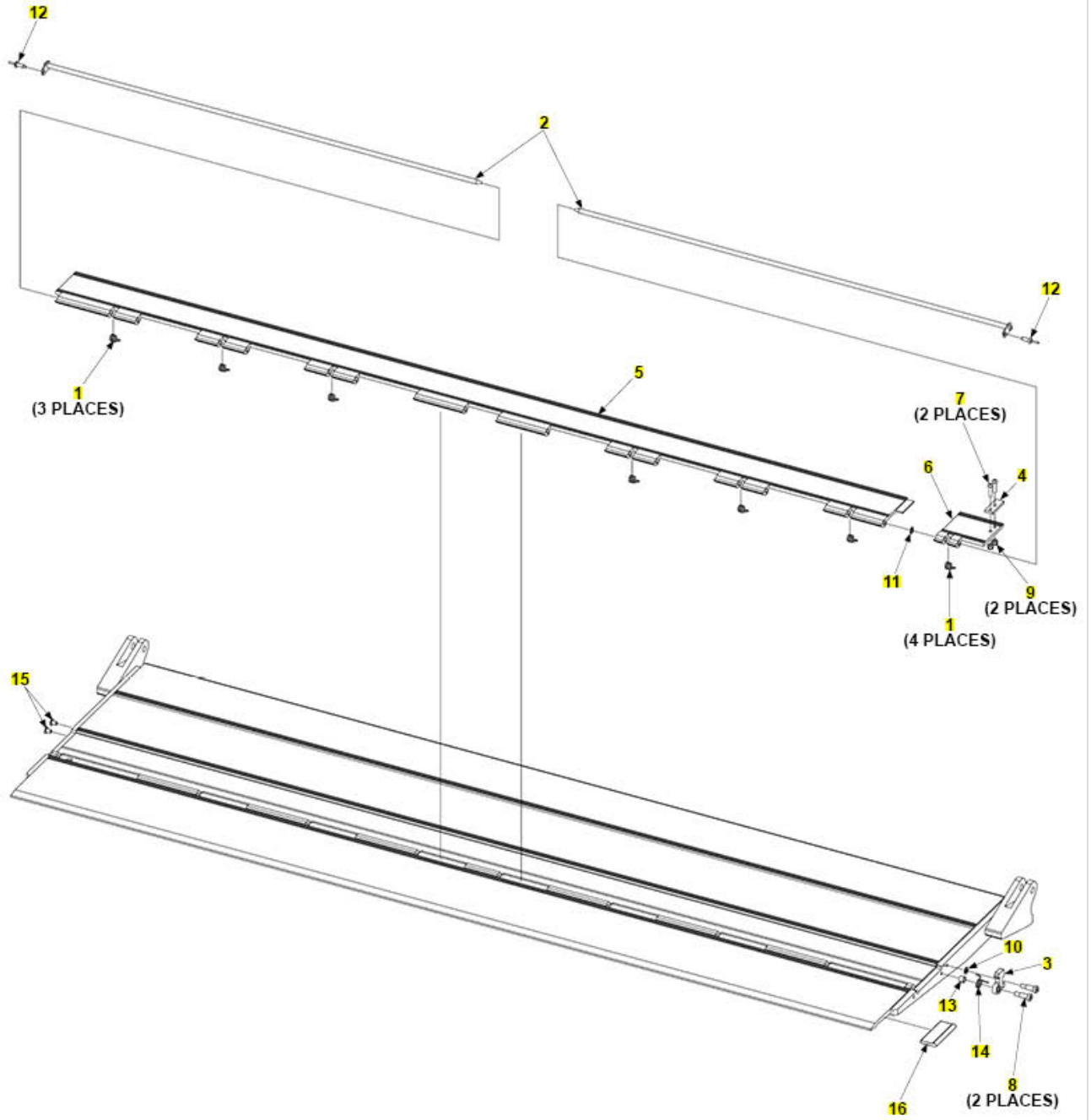
TE-15/20/25/30

TE-25/30 FLIPOVER WITH SINGLE CART STOP

COMPLETE ASSEMBLY:

JAN 2021 to JUL 2021

TE-25/30 FLIPOVER WITH SINGLE CART STOP



SPARE PARTS LIST

TE-15/20/25/30

Pos	CPN	Qty	Description
REF	296895-01	1	F/O ASSY,AL,EXTRN HNG,SCS,80X24
REF	296895-02	1	F/O ASSY,AL,EXTRN HNG,SCS,80X26
1	282729-01	7	SPRING, C/S .08 WIRE, 302 SS
2	282738-03	2	PIN WLDMT, CART STOP
3	282739-01	1	HOOK, CART STOP LOCKING
4	282748-01	1	FLAT, C/S LOCK SUPPORT
5	286055-01	1	SINGLE CART STOP, 80" F/O
6	286099-02	1	LOCK-HINGE, CART STOP, RH
7	900005-4	2	SCREW, BUTTON 1/4-20X1 ALLOY
8	900723-05	2	SCREW,SHLDR.38 X.75 LG,SS
9	901000	2	NUT, NYLON 1/4-20 ZINC
10	902000-8	1	WASHER, FLAT .312 .063 THK
11	903402-08	1	WASHER,FLAT,NYLON,.38ID X.56OD
12	903715-06	2	RIVET,BL/DM,AL/AL .25X.62-.75
13	905328-01	1	BEARING, NYL .38IDX.5ODX.38LG
14	282749-02	1	SPRING,RH HOOK,.078 WIRE,302SS
15	908022-07	2	PLUG, FLEXIBLE .275X.511
16	311367-10	1	EXTRUSION, HANDLE, AL F/O

SPARE PARTS LIST

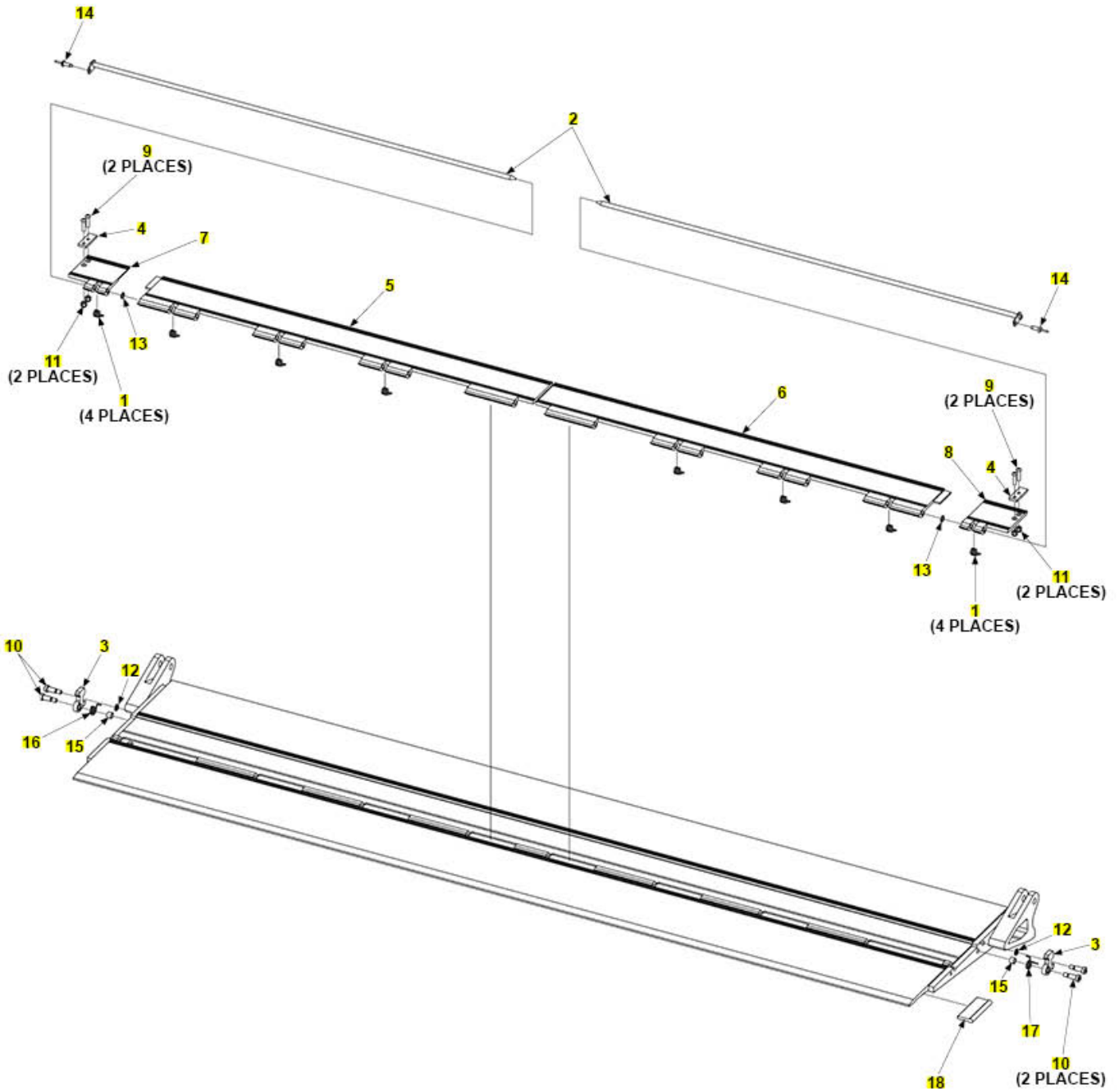
TE-15/20/25/30

TE-20 FLIPOVER WITH DUAL CART STOPS

COMPLETE ASSEMBLY:

TE-20 FLIPOVER WITH DUAL CART STOPS

AUG 2021 to present



SPARE PARTS LIST

TE-15/20/25/30

Pos	CPN	Qty	Description
REF	211926-06	1	F/O ASSY, AL EXTRN HGN, DCS, 80X18
1	282729-01	8	SPRING, C/S .08 WIRE, 302 SS
2	282738-03	2	PIN WLDMT, CART STOP
3	282739-01	2	HOOK, CART STOP LOCKING
4	282748-01	2	FLAT, C/S LOCK SUPPORT
5	286055-02	1	DUAL CART STOP, LH, 80" F/O
6	286055-03	1	DUAL CART STOP, RH, 80" F/O
7	286099-01	1	LOCK-HINGE, CART STOP, LH
8	286099-02	1	LOCK-HINGE, CART STOP, RH
9	900005-4	4	SCREW, BUTTON 1/4-20X1 ALLOY
10	900723-05	4	SCREW,SHLDR.38 X.75 LG,SS
11	901000	4	NUT, NYLON 1/4-20 ZINC
12	902000-8	2	WASHER, FLAT .312 .063 THK
13	903402-08	2	WASHER,FLAT,NYLON,.38ID X.56OD
14	903715-06	2	RIVET,BL/DM,AL/AL .25X.62-.75
15	905328-01	2	BEARING, NYL .38IDX.5ODX.38LG
16	282749-01	1	SPRING,LH HOOK,.078 WIRE,302SS
17	282749-02	1	SPRING,RH HOOK,.078 WIRE,302SS
18	311367-10	1	EXTRUSION, HANDLE, AL F/O

SPARE PARTS LIST

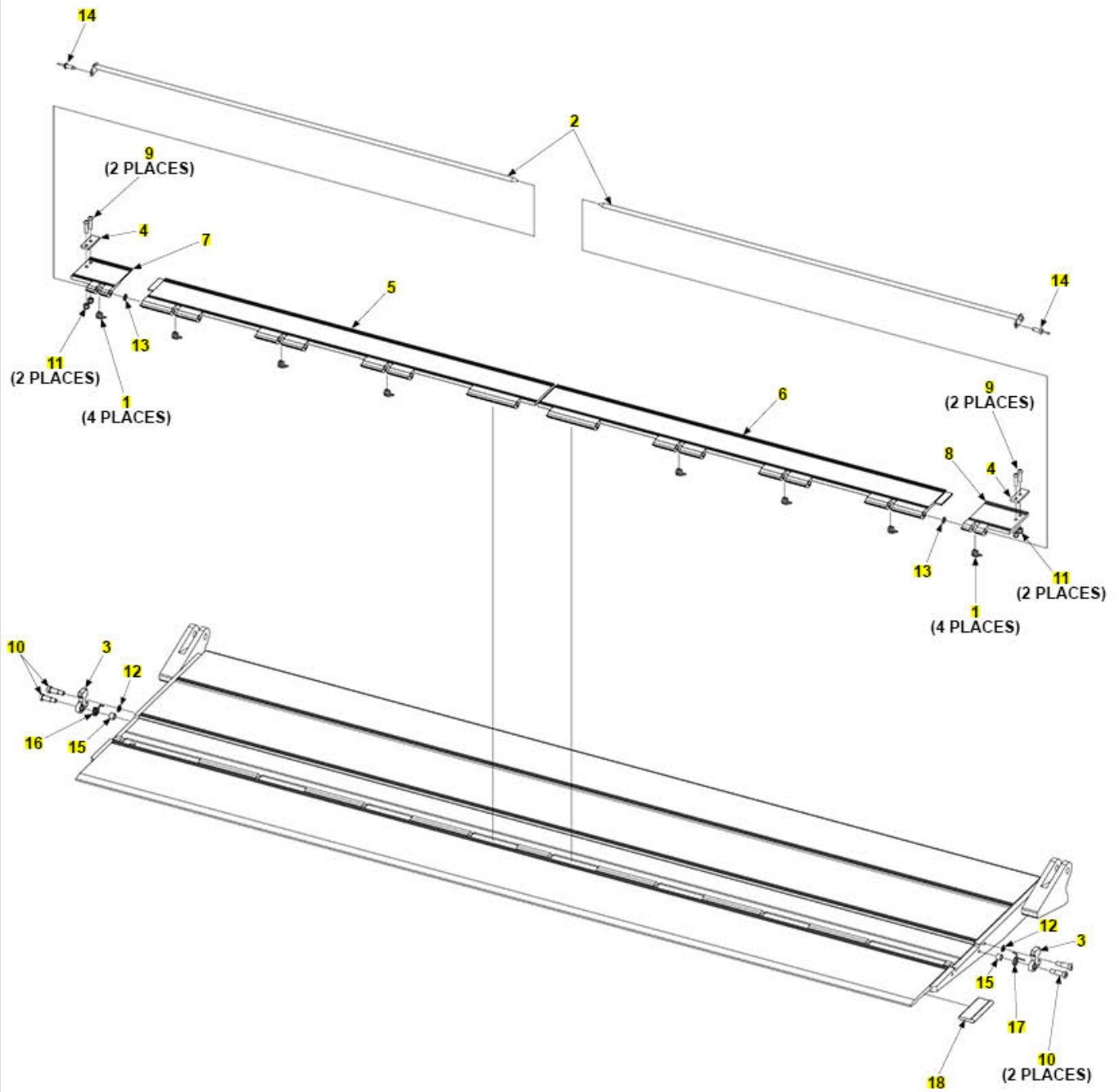
TE-15/20/25/30

TE-15/20 FLIPOVER WITH DUAL CART STOPS

COMPLETE ASSEMBLY:

TE-15/20 FLIPOVER WITH DUAL CART STOPS

JAN 2021 to JUL 2021



SPARE PARTS LIST**TE-15/20/25/30**

Pos	CPN	Qty	Description
REF	296895-06	1	F/O ASSY, AL, EXTRN HNG, DCS, 80X18
1	282729-01	8	SPRING, C/S .08 WIRE, 302 SS
2	282738-03	2	PIN WLDMT, CART STOP
3	282739-01	2	HOOK, CART STOP LOCKING
4	282748-01	2	FLAT, C/S LOCK SUPPORT
5	286055-02	1	DUAL CART STOP, LH, 80" F/O
6	286055-03	1	DUAL CART STOP, RH, 80" F/O
7	286099-01	1	LOCK-HINGE, CART STOP, LH
8	286099-02	1	LOCK-HINGE, CART STOP, RH
9	900005-4	4	SCREW, BUTTON 1/4-20X1 ALLOY
10	900723-05	4	SCREW,SHLDR.38 X.75 LG,SS
11	901000	4	NUT, NYLON 1/4-20 ZINC
12	902000-8	2	WASHER, FLAT .312 .063 THK
13	903402-08	2	WASHER,FLAT,NYLON,.38ID X.56OD
14	903715-06	2	RIVET,BL/DM,AL/AL .25X.62-.75
15	905328-01	2	BEARING, NYL .38IDX.50DX.38LG
16	282749-01	1	SPRING,LH HOOK,.078 WIRE,302SS
17	282749-02	1	SPRING,RH HOOK,.078 WIRE,302SS
18	311367-10	1	EXTRUSION, HANDLE, AL F/O

SPARE PARTS LIST

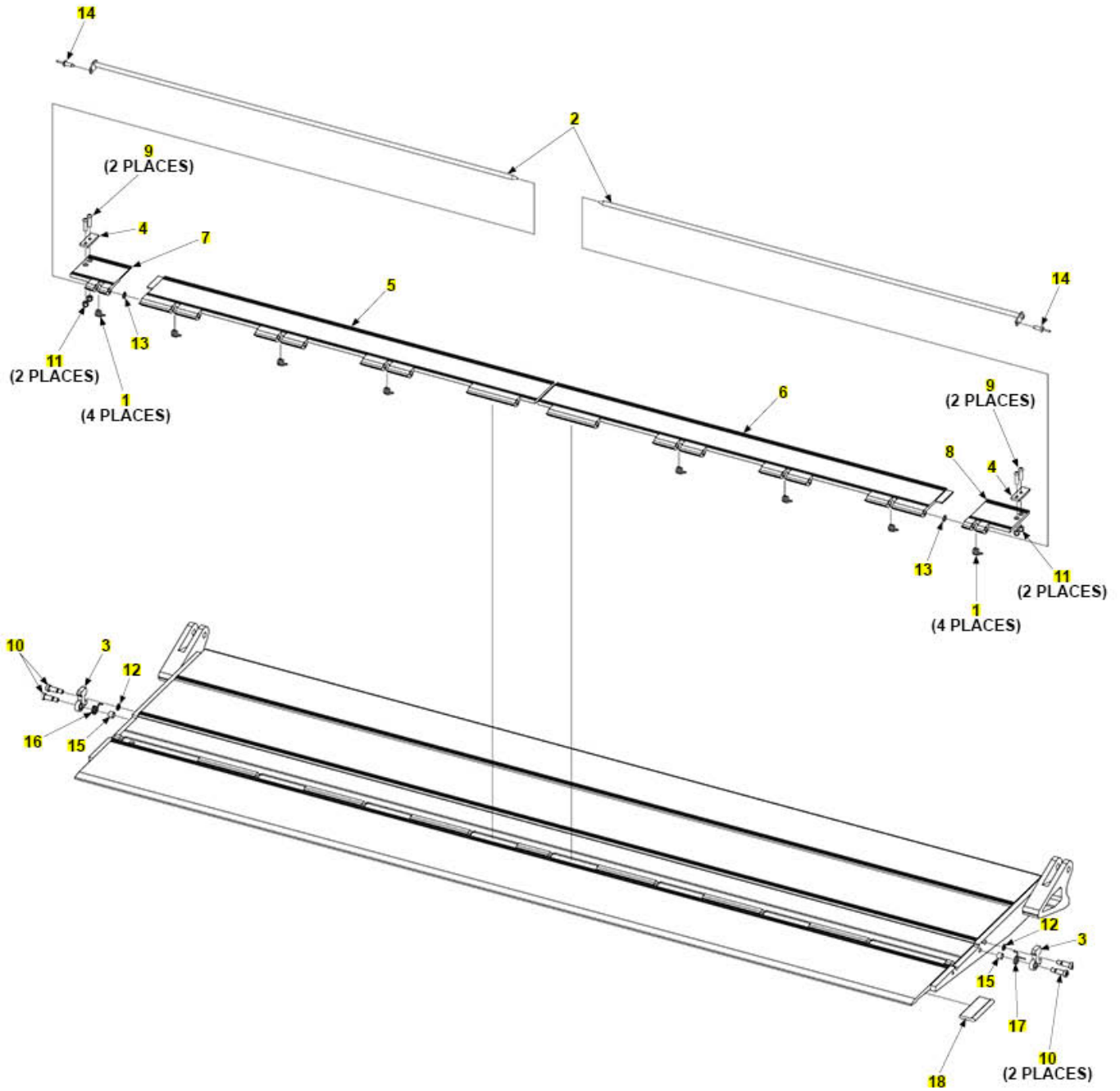
TE-15/20/25/30

TE-25/30 FLIPOVER WITH DUAL CART STOPS

COMPLETE ASSEMBLY:

TE-25/30 FLIPOVER WITH DUAL CART STOPS

AUG 2021 to present



SPARE PARTS LIST

TE-15/20/25/30

Pos	CPN	Qty	Description
REF	211926-03	1	F/O ASSY, AL EXTRN HGN, DCS, 80X24
REF	211926-04	1	F/O ASSY, AL EXTRN HGN, DCS, 80X26
1	282729-01	8	SPRING, C/S .08 WIRE, 302 SS
2	282738-03	2	PIN WLDMT, CART STOP
3	282739-01	2	HOOK, CART STOP LOCKING
4	282748-01	2	FLAT, C/S LOCK SUPPORT
5	286055-02	1	DUAL CART STOP, LH, 80" F/O
6	286055-03	1	DUAL CART STOP, RH, 80" F/O
7	286099-01	1	LOCK-HINGE, CART STOP, LH
8	286099-02	1	LOCK-HINGE, CART STOP, RH
9	900005-4	4	SCREW, BUTTON 1/4-20X1 ALLOY
10	900723-05	4	SCREW,SHLDR.38 X.75 LG,SS
11	901000	4	NUT, NYLON 1/4-20 ZINC
12	902000-8	2	WASHER, FLAT .312 .063 THK
13	903402-08	2	WASHER,FLAT,NYLON,.38ID X.56OD
14	903715-06	2	RIVET,BL/DM,AL/AL .25X.62-.75
15	905328-01	2	BEARING, NYL .38IDX.5ODX.38LG
16	282749-01	1	SPRING,LH HOOK,.078 WIRE,302SS
17	282749-02	1	SPRING,RH HOOK,.078 WIRE,302SS
18	311367-10	1	EXTRUSION, HANDLE, AL F/O

SPARE PARTS LIST

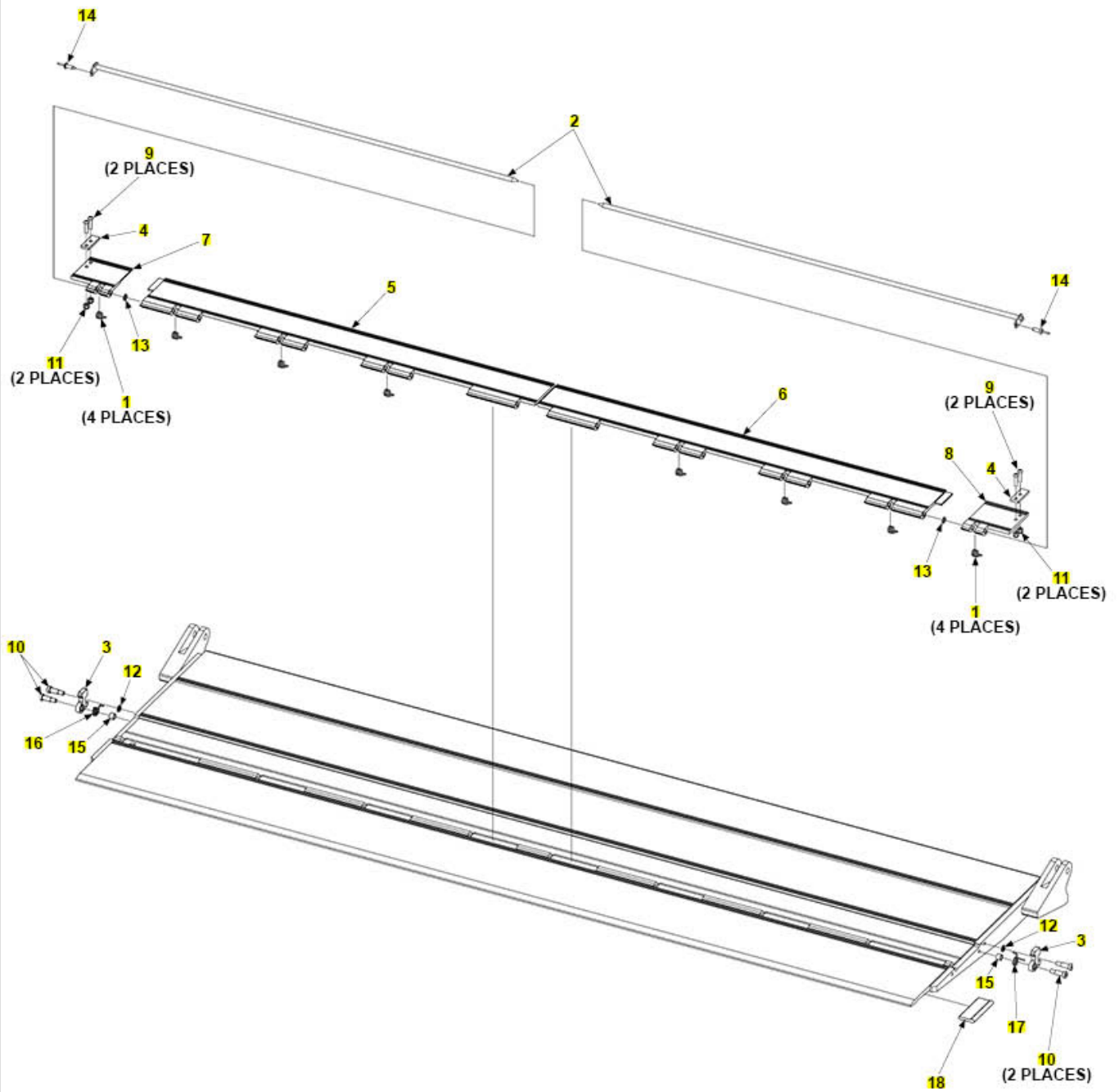
TE-15/20/25/30

TE-25/30 FLIPOVER WITH DUAL CART STOPS

COMPLETE ASSEMBLY:

TE-25/30 FLIPOVER WITH DUAL CART STOPS

JAN 2021 to JUL 2021



SPARE PARTS LIST
TE-15/20/25/30

Pos	CPN	Qty	Description
REF	296895-03	1	F/O ASSY,AL,EXTRN HNG,DCS,80X24
REF	296895-04	1	F/O ASSY,AL,EXTRN HNG,DCS,80X26
1	282729-01	8	SPRING, C/S .08 WIRE, 302 SS
2	282738-03	2	PIN WLDMT, CART STOP
3	282739-01	2	HOOK, CART STOP LOCKING
4	282748-01	2	FLAT, C/S LOCK SUPPORT
5	286055-02	1	DUAL CART STOP, LH, 80" F/O
6	286055-03	1	DUAL CART STOP, RH, 80" F/O
7	286099-01	1	LOCK-HINGE, CART STOP, LH
8	286099-02	1	LOCK-HINGE, CART STOP, RH
9	900005-4	4	SCREW, BUTTON 1/4-20X1 ALLOY
10	900723-05	4	SCREW,SHLDR.38 X.75 LG,SS
11	901000	4	NUT, NYLON 1/4-20 ZINC
12	902000-8	2	WASHER, FLAT .312 .063 THK
13	903402-08	2	WASHER,FLAT,NYLON,.38ID X.56OD
14	903715-06	2	RIVET,BL/DM,AL/AL .25X.62-.75
15	905328-01	2	BEARING, NYL .38IDX.5ODX.38LG
16	282749-01	1	SPRING,LH HOOK,.078 WIRE,302SS
17	282749-02	1	SPRING,RH HOOK,.078 WIRE,302SS
18	311367-10	1	EXTRUSION, HANDLE, AL F/O

SPARE PARTS LIST

TE-15/20/25/30

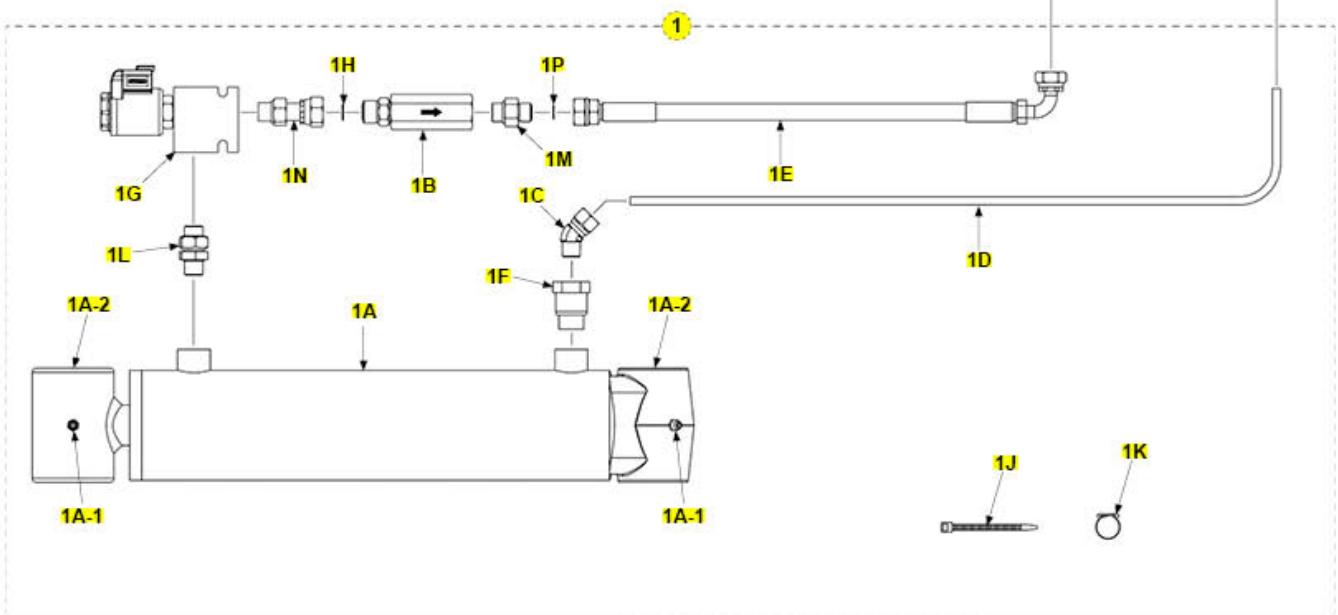
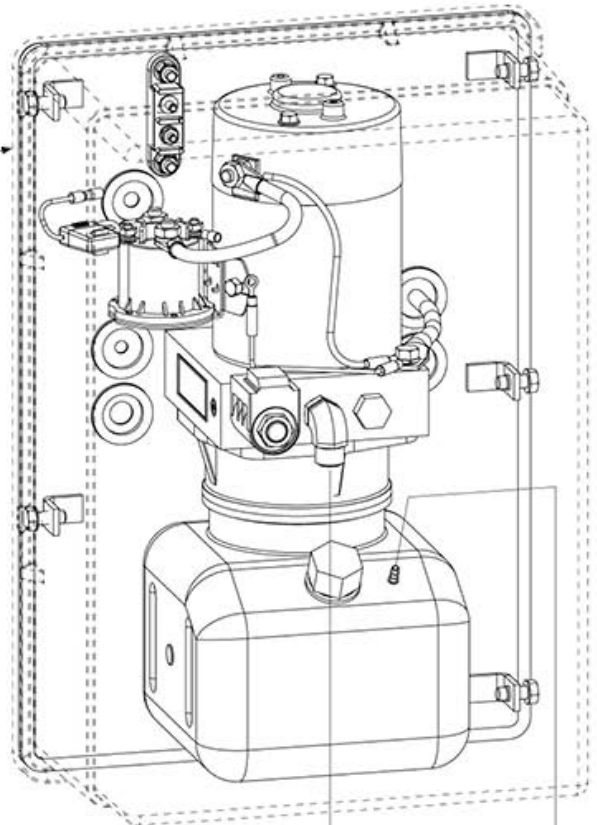
TE-20 HYDRAULIC SYSTEMS - GRAVITY DOWN

JAN 2021 to present

NOTE: Replacement face seal fittings come with required O-rings.

PUMP ASSEMBLY (GRAVITY DOWN)

- 12V
- 24V



SPARE PARTS LIST

TE-15/20/25/30

Pos	CPN	Qty	Description
1	299199-01	1	KIT,CYL,FITTING & HOSE,GD PMP,TE-20/TE-15
1	299199-05	1	KIT,CYL,FITTING & HOSE,GD PMP, 24VDC, TE-20/TE-15
1A	299152-01	1	CYL 3.00DIA BORE X 10ST. S/LB/BUSH
1A-1	224342	2	FITTING, GREASE 1/4"SELF DRILL
1A-2	905112-03	4	BEARING, SELF LUBE 1-3/8X1-3/8
1B	288518-02	1	VALVE,2GPM,SAE#6 M/F,PRESSURE COMP.
1C	263811	1	ELBOW M 45 DEG.
1D	224370-01	1	HOSE PLASTIC X 46.50"
1E	209127-01	1	H/ASSY, .25 HP PRFS #4-6, F-F, TE'S, 44IN LG
1F	228012	1	ADAPTER 9/16-18M-1/4F ST
1G	282999-05	1	LOCK VALVE ASSY,12V
1G	282999-07	1	LOCK VALVE ASSY, 24V
1H	906712-02	1	O-RING #6, 3/8 ORFS TUBE END
1J	205780	2	TIE, PLASTIC 7" (50 LB)
1K	287513-01	1	NYLON HOSE CLAMP 0.39 I.D. X .22 LONG
1L	906786-01	1	UNION STR SAE#6M-M,O-RING,ADJ
1M	905179	1	CONNEC. F/S #4, O-RING#6 M-M
1N	906751-01	1	FITTING SAE#6M/SW F STR O-RING
1P	906712-01	1	O-RING #4, 1/4 ORFS TUBE END

SPARE PARTS LIST

TE-15/20/25/30

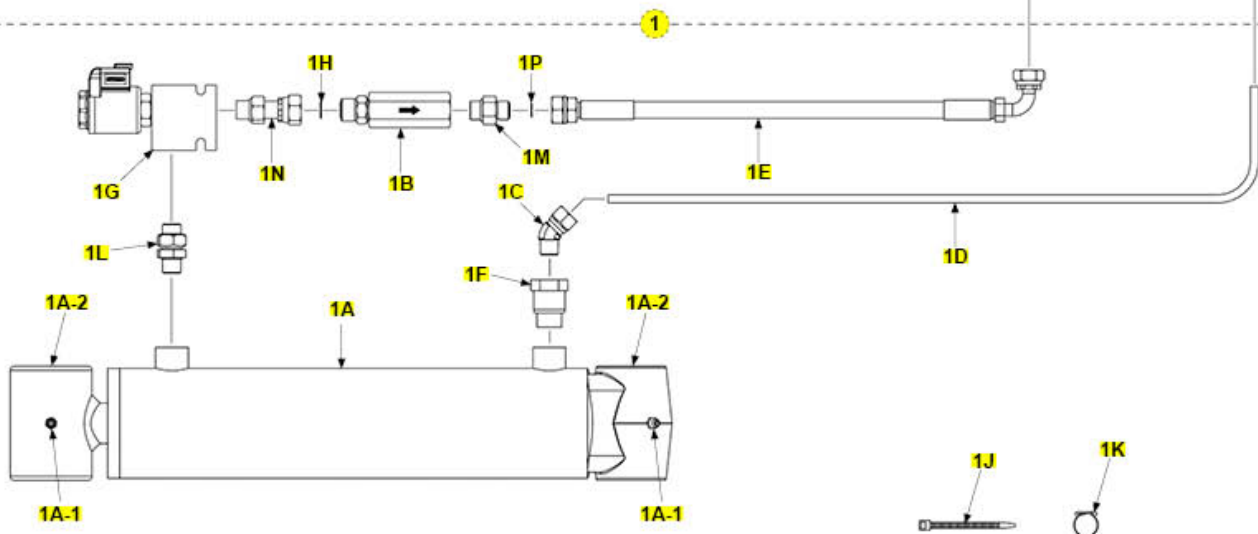
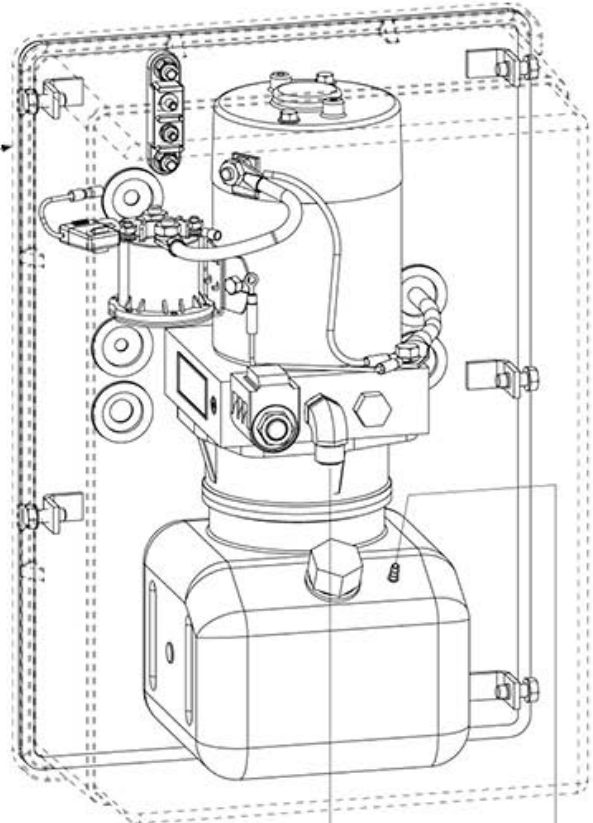
TE-25/30 HYDRAULIC SYSTEMS - GRAVITY DOWN

JAN 2021 to present

NOTE: Replacement face seal fittings come with required O-rings.

PUMP ASSEMBLY (GRAVITY DOWN)

- 12V
- 24V



SPARE PARTS LIST

TE-15/20/25/30

Pos	CPN	Qty	Description
1	299199-03	1	KIT,CYL,FITTING & HOSE,GD PMP,TE-30/TE-25
1	299199-06	1	KIT,CYL,FITTING & HOSE,GD PMP,24VDC,TE-25/TE-30
1A	299154-01	1	CYL 3.5DIA BORE X 10ST,S/LB/BUSH
1A-1	224342	2	FITTING, GREASE 1/4"SELF DRILL
1A-2	905112-03	4	BEARING, SELF LUBE 1-3/8X1-3/8
1B	288518-02	1	VALVE,2GPM,SAE#6 M/F,PRESSURE COMP.
1C	263811	1	ELBOW M 45 DEG.
1D	224370-01	1	HOSE PLASTIC X 46.50"
1E	209127-01	1	H/ASSY, .25 HP PRFS #4-6, F-F, TE'S, 44IN LG
1F	228012	1	ADAPTER 9/16-18M-1/4F ST
1G	282999-05	1	LOCK VALVE ASSY,12V
1G	282999-07	1	LOCK VALVE ASSY, 24V
1H	906712-02	1	O-RING #6, 3/8 ORFS TUBE END
1J	205780	2	TIE, PLASTIC 7" (50 LB)
1K	287513-01	1	NYLON HOSE CLAMP 0.39 I.D. X .22 LONG
1L	906786-01	1	UNION STR SAE#6M-M,O-RING,ADJ
1M	905179	1	CONNEC. F/S #4, O-RING#6 M-M
1N	906751-01	1	FITTING SAE#6M/SW F STR O-RING
1P	906712-01	1	O-RING #4, 1/4 ORFS TUBE END

SPARE PARTS LIST

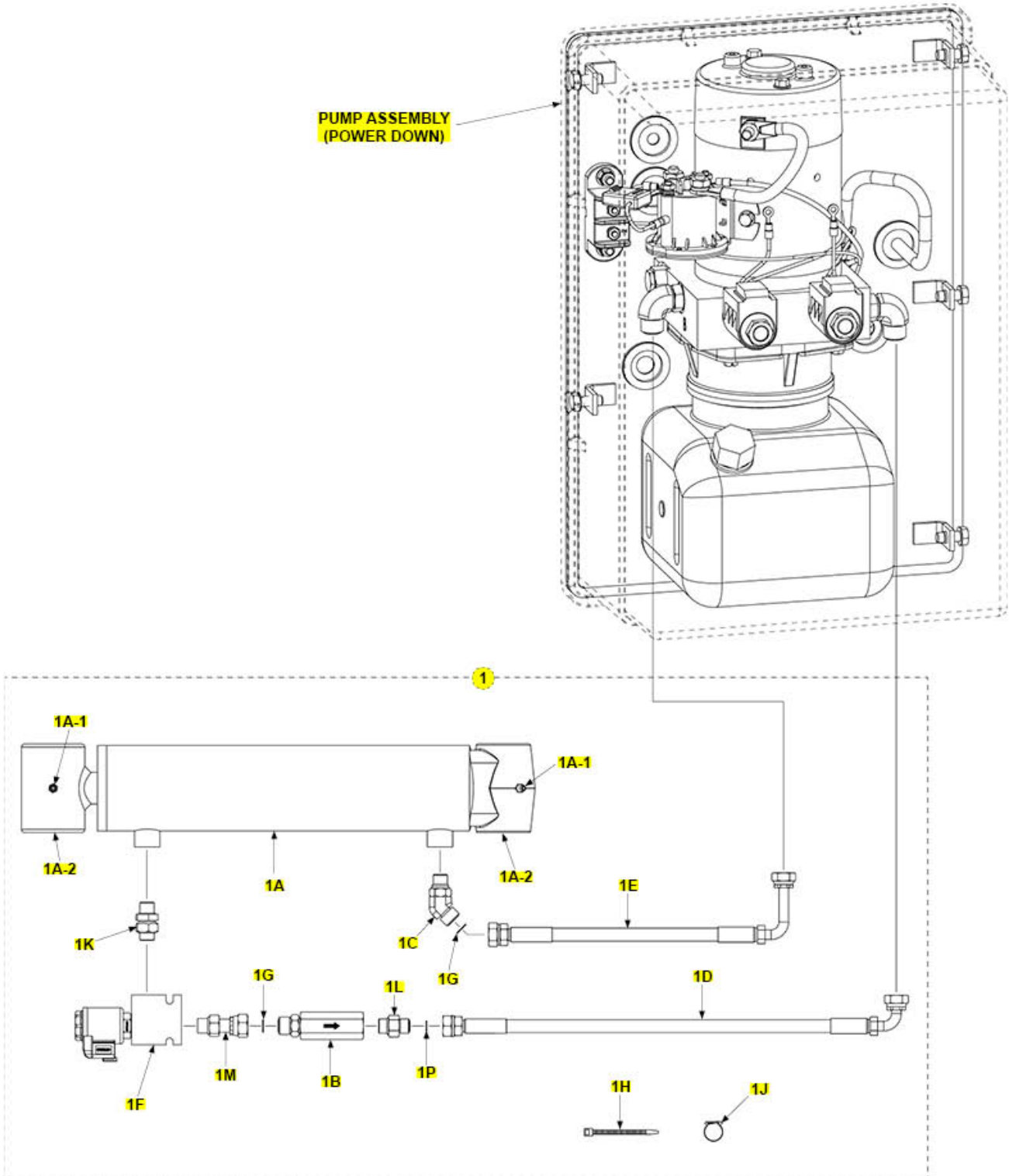
TE-15/20/25/30

TE-20 HYDRAULIC SYSTEMS - POWER DOWN

JAN 2021 to present

NOTE: Replacement face seal fittings come with required O-rings.

PUMP ASSEMBLY
(POWER DOWN)



SPARE PARTS LIST
TE-15/20/25/30

Pos	CPN	Qty	Description
1	299199-02	1	KIT,CYL,FITTING & HOSE,PD PMP,TE-20/TE-15
1A	299152-01	1	CYL 3.00DIA BORE X 10ST. S/LB/BUSH
1A-1	224342	2	FITTING, GREASE 1/4"SELF DRILL
1A-2	905112-03	4	BEARING, SELF LUBE 1-3/8X1-3/8
1B	288518-02	1	VALVE,2GPM,SAE#6 M/F,PRESSURE COMP.
1C	906956-01	1	ELBOW 45 DEGREES, NPSC SAE NO.6 F/S O-R M-M
1D	209127-01	1	H/ASSY, .25 HP PRFS #4-6, F-F, TE'S, 44IN LG
1E	299073-01	1	H/ASSY, .25 HP ORFS#6-6, F-F, TE'S, 44IN LG
1F	282999-05	1	LOCK VALVE ASSY,12V
1G	906712-02	2	O-RING #6, 3/8 ORFS TUBE END
1H	205780	2	TIE, PLASTIC 7" (50 LB)
1J	287513-01	1	NYLON HOSE CLAMP 0.39 I.D. X .22 LONG
1K	906786-01	1	UNION STR SAE#6M-M,O-RING,ADJ
1L	905179	1	CONNEC. F/S #4, O-RING#6 M-M
1M	906751-01	1	FITTING SAE#6M/SW F STR O-RING
1P	906712-01	1	O-RING #4, 1/4 ORFS TUBE END

SPARE PARTS LIST

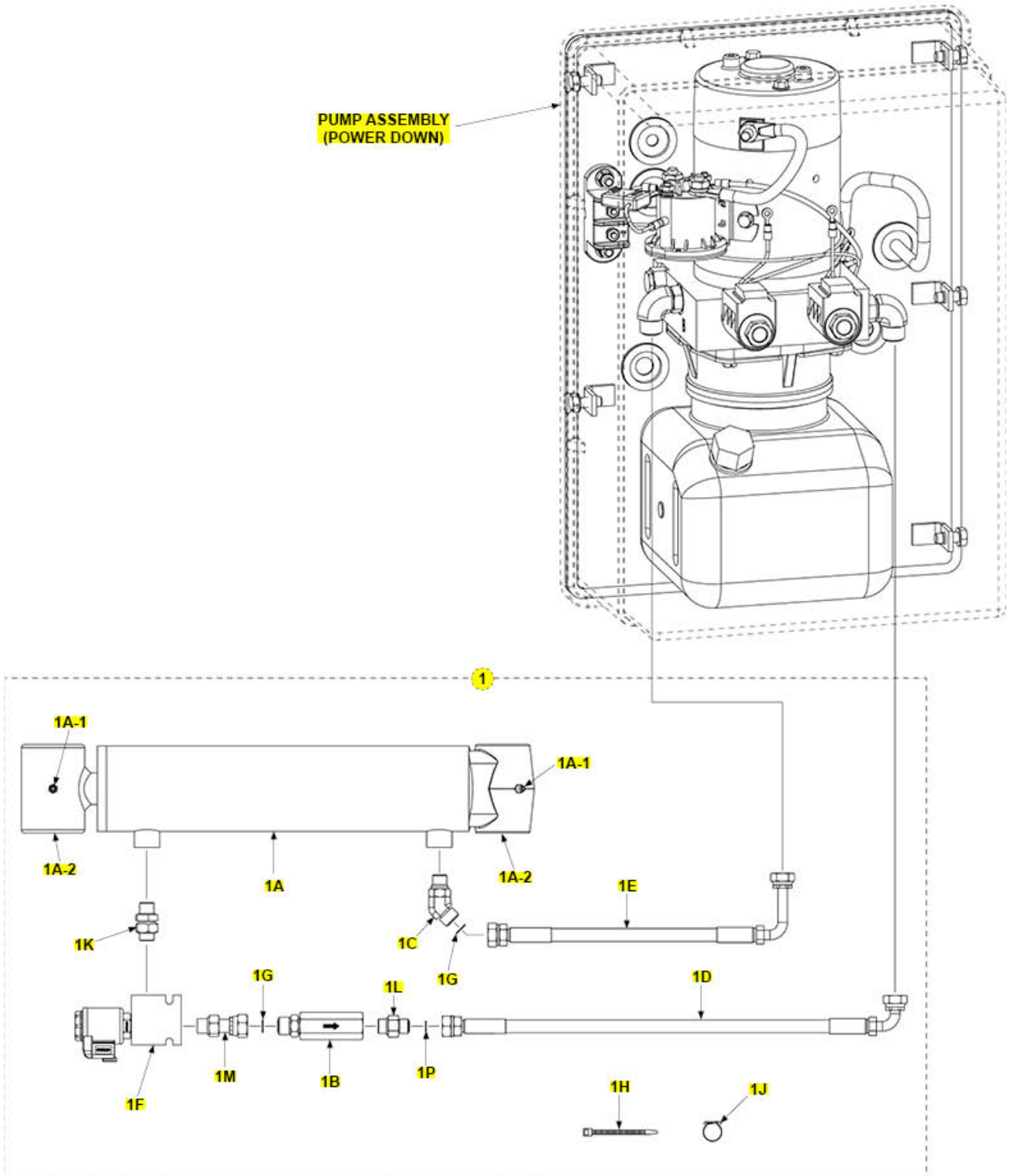
TE-15/20/25/30

TE-25/30 HYDRAULIC SYSTEMS - POWER DOWN

JAN 2021 to present

NOTE: Replacement face seal fittings come with required O-rings.

PUMP ASSEMBLY
(POWER DOWN)



SPARE PARTS LIST

TE-15/20/25/30

Pos	CPN	Qty	Description
1	299199-04	1	KIT,CYL,FITTING & HOSE,PD PMP,TE-30/TE-25
1A	299154-01	1	CYL 3.5DIA BORE X 10ST,S/LB/BUSH
1A-1	224342	2	FITTING, GREASE 1/4"SELF DRILL
1A-2	905112-03	4	BEARING, SELF LUBE 1-3/8X1-3/8
1B	288518-02	1	VALVE,2GPM,SAE#6 M/F,PRESSURE COMP.
1C	906956-01	1	ELBOW 45 DEGREES, NPSC SAE NO.6 F/S O-R M-M
1D	209127-01	1	H/ASSY, .25 HP PRFS #4-6, F-F, TE'S, 44IN LG
1E	299073-01	1	H/ASSY, .25 HP ORFS#6-6, F-F, TE'S, 44IN LG
1F	282999-05	1	LOCK VALVE ASSY,12V
1G	906712-02	2	O-RING #6, 3/8 ORFS TUBE END
1H	205780	2	TIE, PLASTIC 7" (50 LB)
1J	287513-01	1	NYLON HOSE CLAMP 0.39 I.D. X .22 LONG
1K	906786-01	1	UNION STR SAE#6M-M,O-RING,ADJ
1L	905179	1	CONNEC. F/S #4, O-RING#6 M-M
1M	906751-01	1	FITTING SAE#6M/SW F STR O-RING
1P	906712-01	1	O-RING #4, 1/4 ORFS TUBE END

SPARE PARTS LIST

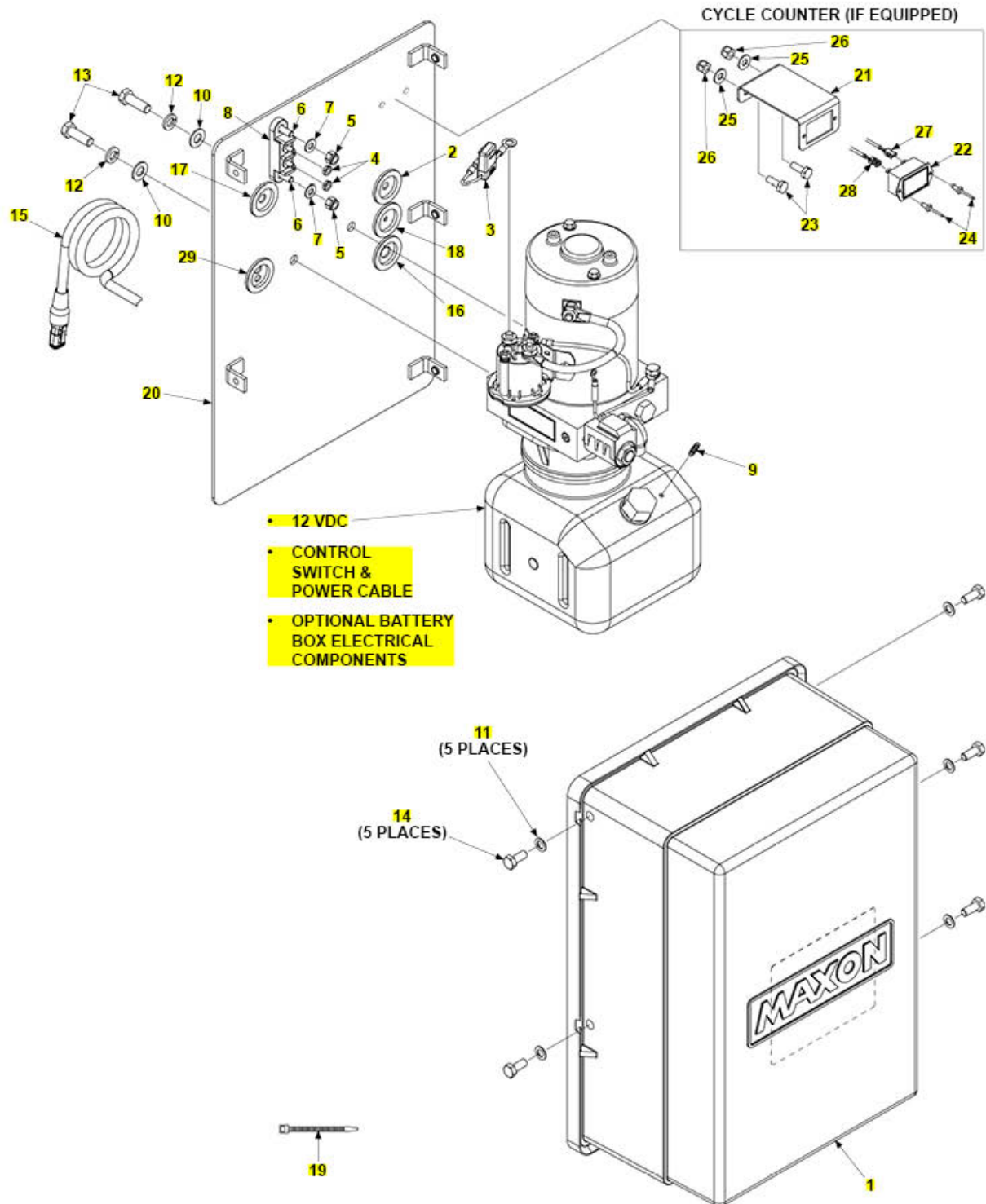
TE-15/20/25/30

PUMP ASSEMBLY (GRAVITY DOWN 12V)

COMPLETE ASSEMBLY:

PUMP ASSEMBLY (GRAVITY DOWN 12V)

JAN 2021 to present



SPARE PARTS LIST

TE-15/20/25/30

Pos	CPN	Qty	Description
REF	210210-01G	1	PUMP ASSY,12V,G/D,G
REF	210210-03G	1	PUMP ASSY,12V,CC,G/D,G
1	266419-01	1	COVER ASSY, TUK-A-WAY PUMP
2	266428-03	1	GROMMET, 1.0 DIA DIAPH .31 DIA HOLE
3	297046-01	1	FUSE HOLDER ASSY
4	903107-06	2	NUT, HEX 10-24 UNC SS
5	903137-01	2	NUT, NYL INSRT STOP .25-20 SS
6	900000-4	2	BOLT, HX 1/4-20X1 GR8 ZC
7	903412-01	2	WASHER,FLAT .25,SS
8	907279-01	1	JUNCTION BLOCK, TWO STUD
9	906728-01	1	FTG, TUBE, DUAL BARBED .170 ID
10	902013-11	2	WASHER, FLAT 3/8" ZC
11	902000-7	5	WASHER, FLAT .312 .032 THK
12	902011-4	2	WASHER, LOCK 3/8X.094 ZC
13	900014-21	2	SCREW, HEX CAP .38-16X1.125, G8, ZC
14	900009-3	5	BOLT,HEX 5/16-18X3/4 GR8 ZC
15	282625-17	1	CABLE ASSY,LOCK VALVE,16/2X70
16	266428-05	1	GROMMET, 1.0 DIAPH .50 HOLE
17	266428-04	1	GROMMET, 1.0 DIAPH .38 HOLE
18	266428-01	1	GROMMET, 1.0 DIAPH .19 HOLE
19	205780	2	TIE, PLASTIC 7" (50 LB)
20	299157-01G	1	PLATE,PUMP MOUNT,WLDMT,G/D,G
20	299157-02G	1	PLATE,PUMP MOUNT,WLDMT,G/D,CC,G
21	297358-01	1	BRACKET, DIGITAL C/COUNT
22	297269-01	1	DIGITAL CYCLE COUNTER
23	900004-2	2	SCREW, CAP 1/4-20X3/4 GR8 ZC
24	903721-02	2	RIVET, BL/DM, SS .16X.13-.19
25	902013-09	2	WASHER1/4"ZINC-SAME030564
26	901000	2	NUT, NYLON 1/4-20 ZINC
27	297274-01	1	WIRE ASSY, POS LOCK, RING TERM,BLK
28	297274-02	1	WIRE ASSY, POS LOCK, RING TERM,RED
29	266428-12	1	GROM 1 DIA PH .374/.31 HOLES

SPARE PARTS LIST

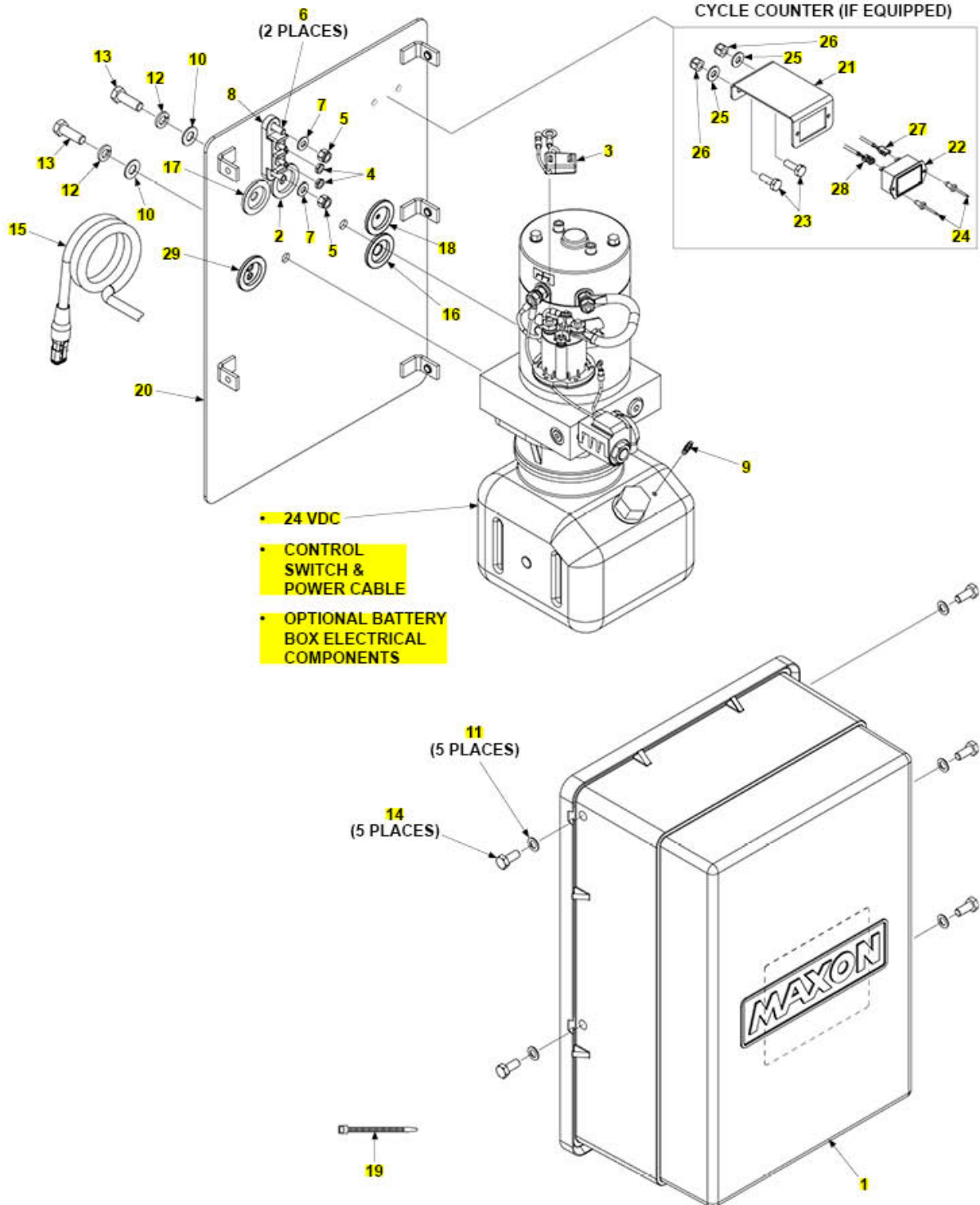
TE-15/20/25/30

PUMP ASSEMBLY (GRAVITY DOWN 24V)

COMPLETE ASSEMBLY:

PUMP ASSEMBLY (GRAVITY DOWN 24V)

JAN 2021 to present



SPARE PARTS LIST

TE-15/20/25/30

Pos	CPN	Qty	Description
REF	210210-02G	1	PUMP ASSY,24V.G/D,G
REF	210210-04G	1	PUMP ASSY,24V,CC,G/D,G
1	266419-01	1	COVER ASSY, TUK-A-WAY PUMP
2	266428-03	1	GROMMET, 1.0 DIA DIAPH .31 DIA HOLE
3	297046-01	1	FUSE HOLDER ASSY
4	903107-06	2	NUT, HEX 10-24 UNC SS
5	903137-01	2	NUT, NYL INSRT STOP .25-20 SS
6	900000-4	2	BOLT, HX 1/4-20X1 GR8 ZC
7	903412-01	2	WASHER,FLAT .25,SS
8	907279-01	1	JUNCTION BLOCK, TWO STUD
9	906728-01	1	FTG, TUBE, DUAL BARBED .170 ID
10	902013-11	2	WASHER, FLAT 3/8" ZC
11	902000-7	5	WASHER, FLAT .312 .032 THK
12	902011-4	2	WASHER, LOCK 3/8X.094 ZC
13	900014-21	2	SCREW, HEX CAP .38-16X1.125, G8, ZC
14	900009-3	5	BOLT,HEX 5/16-18X3/4 GR8 ZC
15	282625-17	1	CABLE ASSY,LOCK VALVE,16/2X70
16	266428-05	1	GROMMET, 1.0 DIAPH .50 HOLE
17	266428-04	1	GROMMET, 1.0 DIAPH .38 HOLE
18	266428-01	1	GROMMET, 1.0 DIAPH .19 HOLE
19	205780	3	TIE, PLASTIC 7" (50 LB)
20	299157-03G	1	PLATE,PUMP MOUNT,WLDMT,G/D,24V,G
20	299157-04G	1	PLATE,PUMP MOUNT,WLDMT,G/D,24V,CC,G
21	297358-01	1	BRACKET, DIGITAL C/COUNT
22	297269-01	1	DIGITAL CYCLE COUNTER
23	900004-2	2	SCREW, CAP 1/4-20X3/4 GR8 ZC
24	903721-02	2	RIVET, BL/DM, SS .16X.13-.19
25	902013-09	2	WASHER1/4"ZINC-SAME030564
26	901000	2	NUT, NYLON 1/4-20 ZINC
27	297274-01	1	WIRE ASSY, POS LOCK, RING TERM,BLK
28	297274-02	1	WIRE ASSY, POS LOCK, RING TERM,RED
29	266428-12	1	GROM 1 DIA PH .374/.31 HOLES

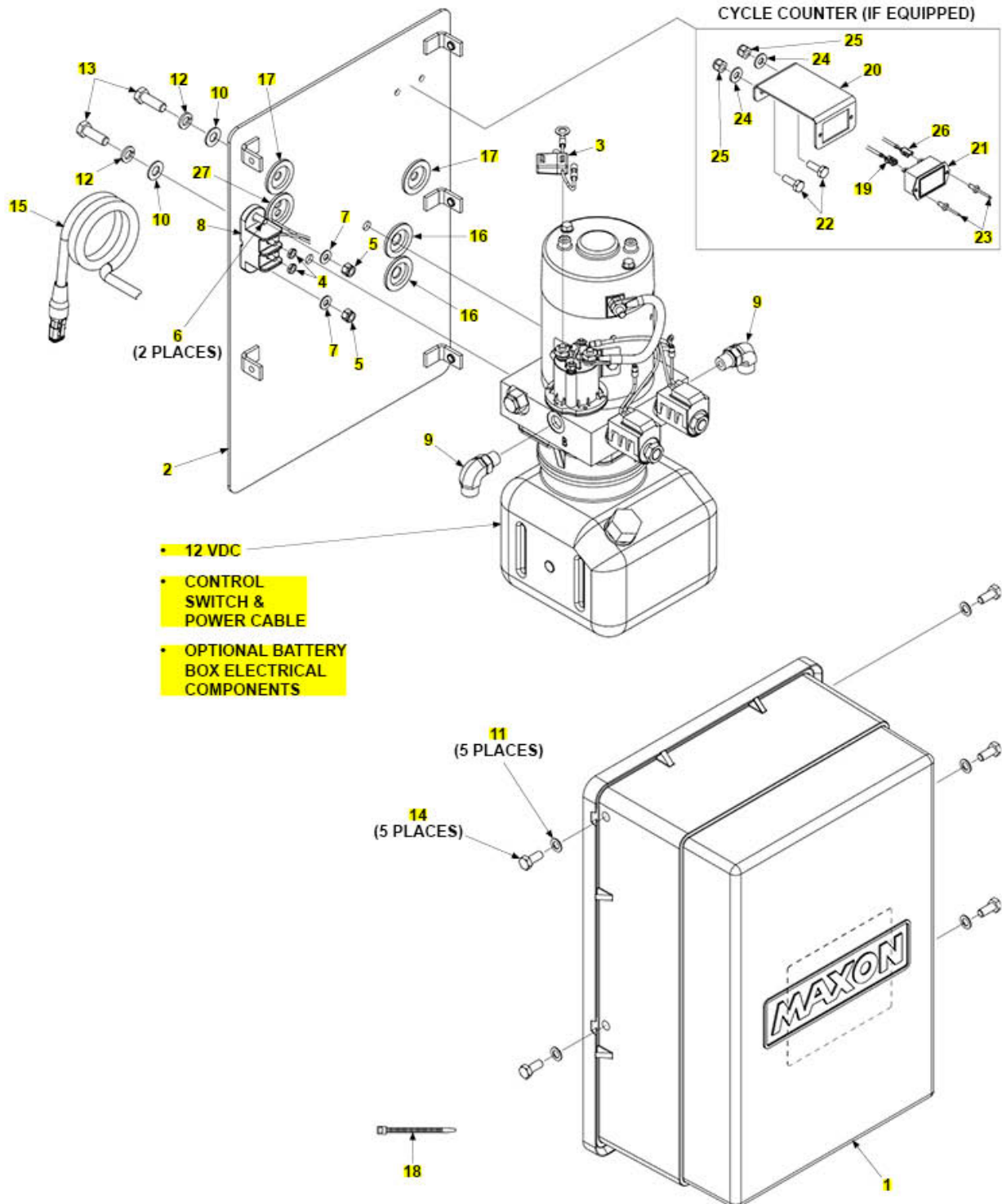
SPARE PARTS LIST

TE-15/20/25/30

PUMP ASSEMBLY (POWER DOWN)

COMPLETE ASSEMBLY:
PUMP ASSEMBLY (POWER DOWN)

JAN 2021 to present



SPARE PARTS LIST

TE-15/20/25/30

Pos	CPN	Qty	Description
REF	210215-01G	1	PUMP ASSY,12V,P/D,G
REF	210215-02G	1	PUMP ASSY,12V,P/D,CC,G
1	266419-01	1	COVER ASSY, TUK-A-WAY PUMP
2	299159-01G	1	PLATE WLDMT, P/D PMP MT,G
2	299159-02G	1	PLATE WLDMT, P/D PMP MT,CC,G
3	297046-01	1	FUSE HOLDER ASSY
4	903172-01	2	NUT, NYL INSRT STOP 10-32 SS
5	903137-01	2	NUT, NYL INSRT STOP .25-20 SS
6	900000-4	2	BOLT, HX 1/4-20X1 GR8 ZC
7	903412-01	2	WASHER,FLAT .25,SS
8	296859-01	1	POWER DOWN MODULE
9	906707-01	2	ELBOW, NPSC,SAE #6 F/S O-R M-M
10	902013-11	2	WASHER, FLAT 3/8" ZC
11	902000-7	5	WASHER, FLAT .312 .032 THK
12	902011-4	2	WASHER, LOCK 3/8X.094 ZC
13	900014-21	2	SCREW, HEX CAP .38-16X1.125, G8, ZC
14	900009-3	5	BOLT,HEX 5/16-18X3/4 GR8 ZC
15	282625-17	1	CABLE ASSY,LOCK VALVE,16/2X70
16	266428-05	2	GROMMET, 1.0 DIAPH .50 HOLE
17	266428-04	2	GROMMET, 1.0 DIAPH .38 HOLE
18	205780	3	TIE, PLASTIC 7" (50 LB)
19	297274-02	1	WIRE ASSY, POS LOCK, RING TERM,RED
20	297358-01	1	BRACKET, DIGITAL C/COUNT
21	297269-01	1	DIGITAL CYCLE COUNTER
22	900004-2	2	SCREW, CAP 1/4-20X3/4 GR8 ZC
23	903721-02	2	RIVET, BL/DM, SS .16X.13-.19
24	902013-09	2	WASHER1/4"ZINC-SAME030564
25	901000	2	NUT, NYLON 1/4-20 ZINC
26	297274-01	1	WIRE ASSY, POS LOCK, RING TERM,BLK
27	266428-12	1	GROM 1 DIA PH .374/.31 HOLES

SPARE PARTS LIST

TE-15/20/25/30

12 VDC POWER UNIT (GRAVITYDOWN)

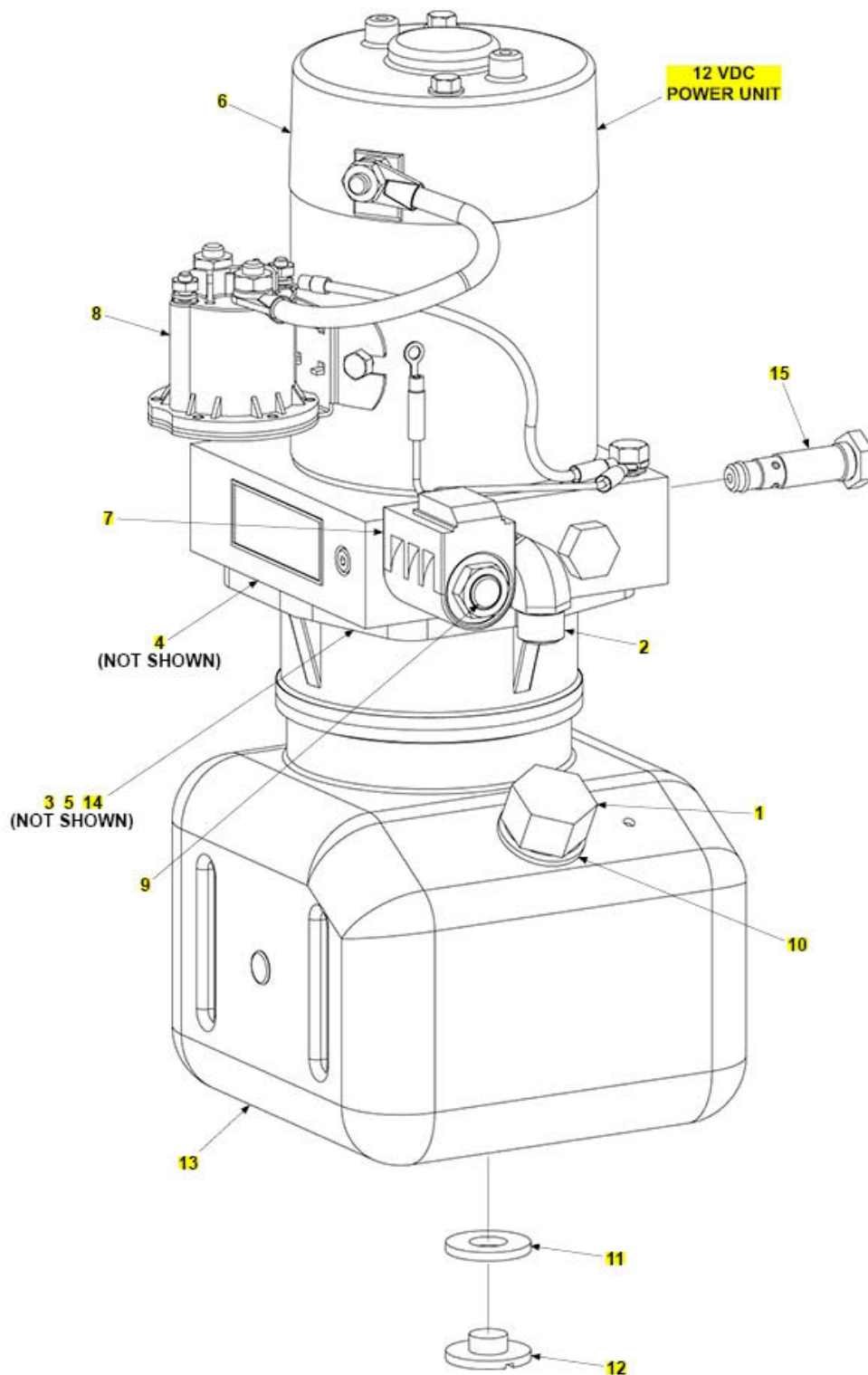
MAY 2017 to present

CAUTION

Do not over-tighten the terminal nuts on starter solenoid. For the load terminals, torque nuts to 40 lbs.-in. max. Torque the nuts on #10-32 control terminals 15-20 lbs.-in.

CAUTION

To prevent damage when installing 2-way valves, torque valve cartridge nut to 30 lbs.-in. max.



SPARE PARTS LIST**TE-15/20/25/30**

Pos	CPN	Qty	Description
REF	287071-01	1	12 VDC PWR UNIT, G/D, TUK-A-WAY
1	280806-01	1	FILLER, BREATHER
2	906707-01	1	ELBOW, NPSC,SAE #6 F/S O-R M-M
3	260261	1	OIL SEAL,PUMP
4	290061	1	SEAL SQUARE CUT PL RESERVOIR
5	290020	1	O-RING, KEPNER CHECK VALVE
6	290175-01	1	12VDC MOTOR W/OUT TERM SW
7	290210	1	12 VDC COIL, DOUBLE LEADS (PDL12) (39002186)
8	284080-01	1	SWITCH, SOLENOID ASSY
9	290215	1	VALVE 2P2W NC DELTA (38502314)
10	908016-01	1	GROMMET, RUBBER, .60 ID
11	290209	1	WASHER, .56 ID X 1.25 OD (61200504)
12	290208	1	PLUG, 9/16-18, PLASTIC TANK (35901162)
13	290207	1	RESERVOIR, PLASTIC, 8.00 LG (32301527)
14	906781-01	1	PUMP ASSY,203,GPT P/D
15	906737-01	1	CARTRIDGE RELIEF VALVE

SPARE PARTS LIST

TE-15/20/25/30

24 VDC POWER UNIT (GRAVITYDOWN)

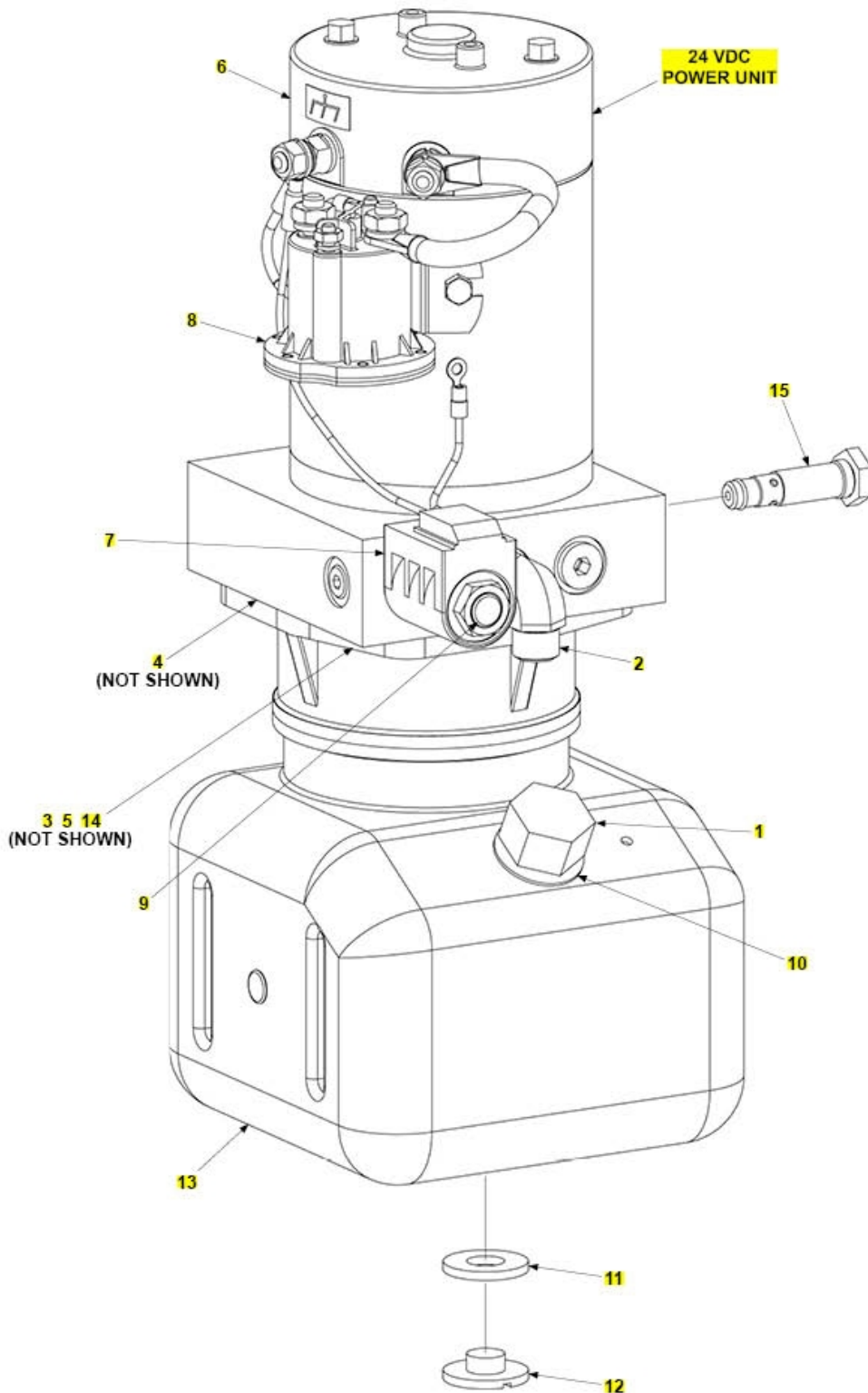
MAY 2017 to present

CAUTION

Do not over-tighten the terminal nuts on starter solenoid. For the load terminals, torque nuts to 40 lbs.-in. max. Torque the nuts on #10-32 control terminals 15-20 lbs.-in.

CAUTION

To prevent damage when installing 2-way valves, torque valve cartridge nut to 30 lbs.-in. max.



SPARE PARTS LIST**TE-15/20/25/30**

Pos	CPN	Qty	Description
REF	287072-01	1	24VDC POWER UNIT, GD
1	280806-01	1	FILLER, BREATHER
2	906707-01	1	ELBOW, NPSC,SAE #6 F/S O-R M-M
3	260261	1	OIL SEAL,PUMP
4	290061	1	SEAL SQUARE CUT PL RESERVOIR
5	290020	1	O-RING, KEPNER CHECK VALVE
6	290176-01	1	24VDC MOTOR W/OUT TERM SW
7	290211	1	24 VDC COIL, DOUBLE LEADS (PDL24) (39002187)
8	284080-02	1	SWITCH, SOLENOID ASSY, 24VDC
9	290215	1	VALVE 2P2W NC DELTA (38502314)
10	908016-01	1	GROMMET, RUBBER, .60 ID
11	290209	1	WASHER, .56 ID X 1.25 OD (61200504)
12	290208	1	PLUG, 9/16-18, PLASTIC TANK (35901162)
13	290207	1	RESERVOIR, PLASTIC, 8.00 LG (32301527)
14	906781-01	1	PUMP ASSY,203,GPT P/D
15	906737-01	1	CARTRIDGE RELIEF VALVE

SPARE PARTS LIST

TE-15/20/25/30

12 VDC POWER UNIT (POWER DOWN)

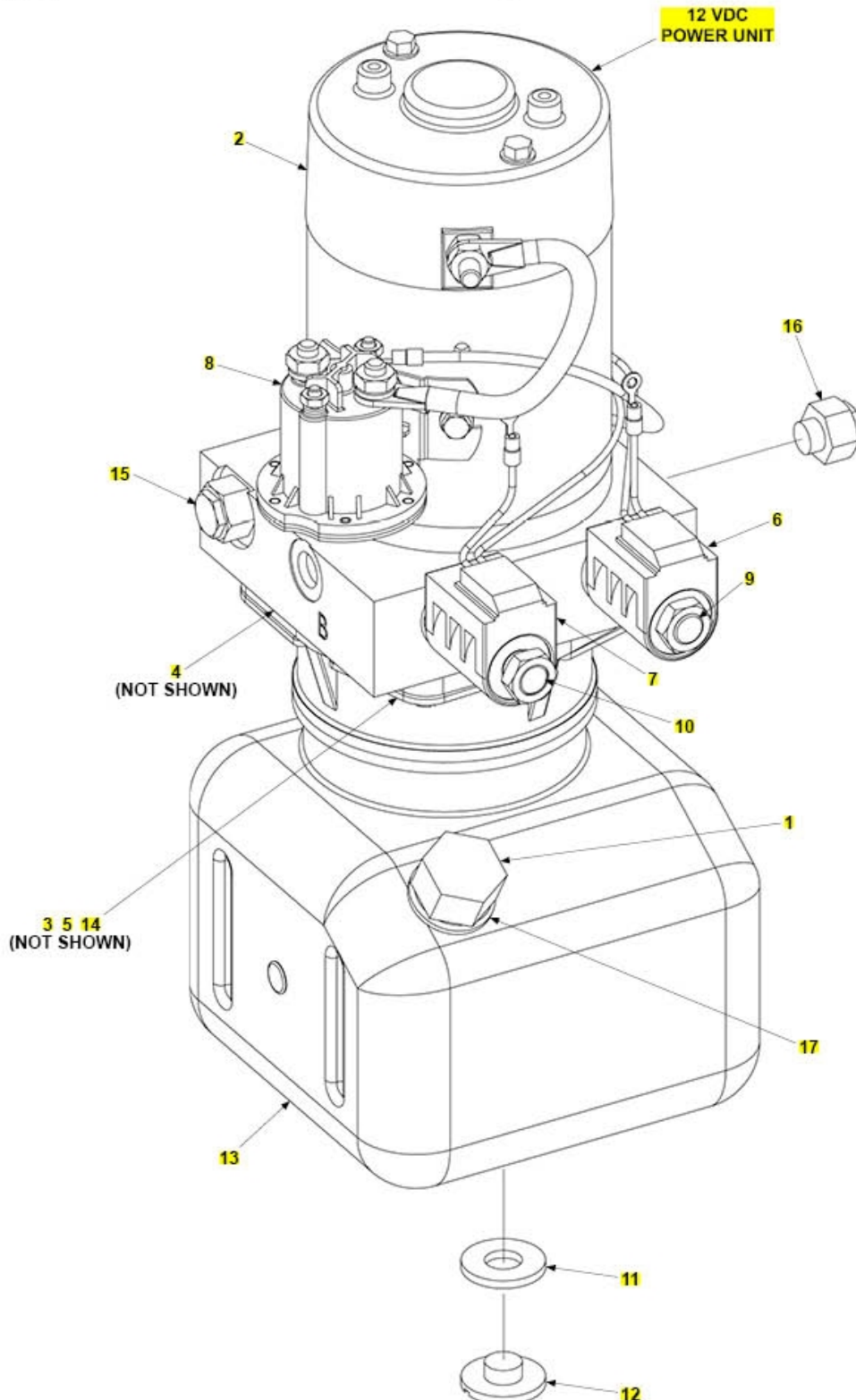
MAY 2017 to present

CAUTION

Do not over-tighten the terminal nuts on starter solenoid. For the load terminals, torque nuts to 40 lbs.-in. max. Torque the nuts on #10-32 control terminals 15-20 lbs.-in.

CAUTION

To prevent damage when installing 2-way valves, torque valve cartridge nut to 30 lbs.-in. max.



SPARE PARTS LIST**TE-15/20/25/30**

Pos	CPN	Qty	Description
REF	287076-01	1	12VDC POWER UNIT,P/D,TUK-A-WAY
1	280806-01	1	FILLER, BREATHER
2	290177-01	1	12VDC MOTOR W/OUT TERM SW, P/D
3	260261	1	OIL SEAL,PUMP
4	290061	1	SEAL SQUARE CUT PL RESERVOIR
5	290020	1	O-RING, KEPNER CHECK VALVE
6	290213	1	12 VDC COIL, DOUBLE LEADS (PDL12) (39002189)
7	290212	1	12 VDC COIL, DOUBLE LEADS (DDL12) (39002188)
8	284080-01	1	SWITCH, SOLENOID ASSY
9	290215	1	VALVE 2P2W NC DELTA (38502314)
10	290047	1	VALVE CARTRIDGE 4WAY
11	290209	1	WASHER, .56 ID X 1.25 OD (61200504)
12	290208	1	PLUG, 9/16-18, PLASTIC TANK (35901162)
13	290214	1	RESERVOIR, PLASTIC, 8.00 LG (32301528)
14	906781-01	1	PUMP ASSY,203,GPT P/D
15	268174-01	1	RELIEF VALVE,ADJUST,1100PSI
16	906930-01	1	RELIEF VALVE "RV1" SET @ 2400 PSI
17	908016-01	1	GROMMET, RUBBER, .60 ID

SPARE PARTS LIST

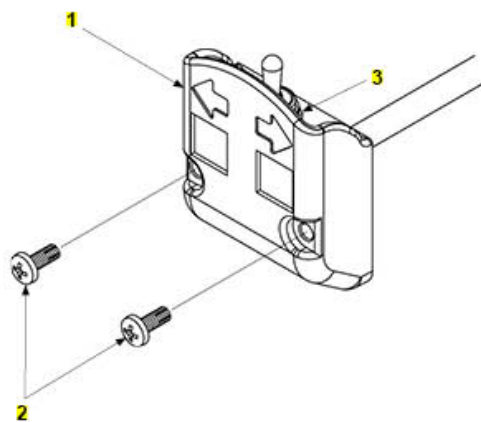
TE-15/20/25/30

CONTROL SWITCH AND POWER CABLE

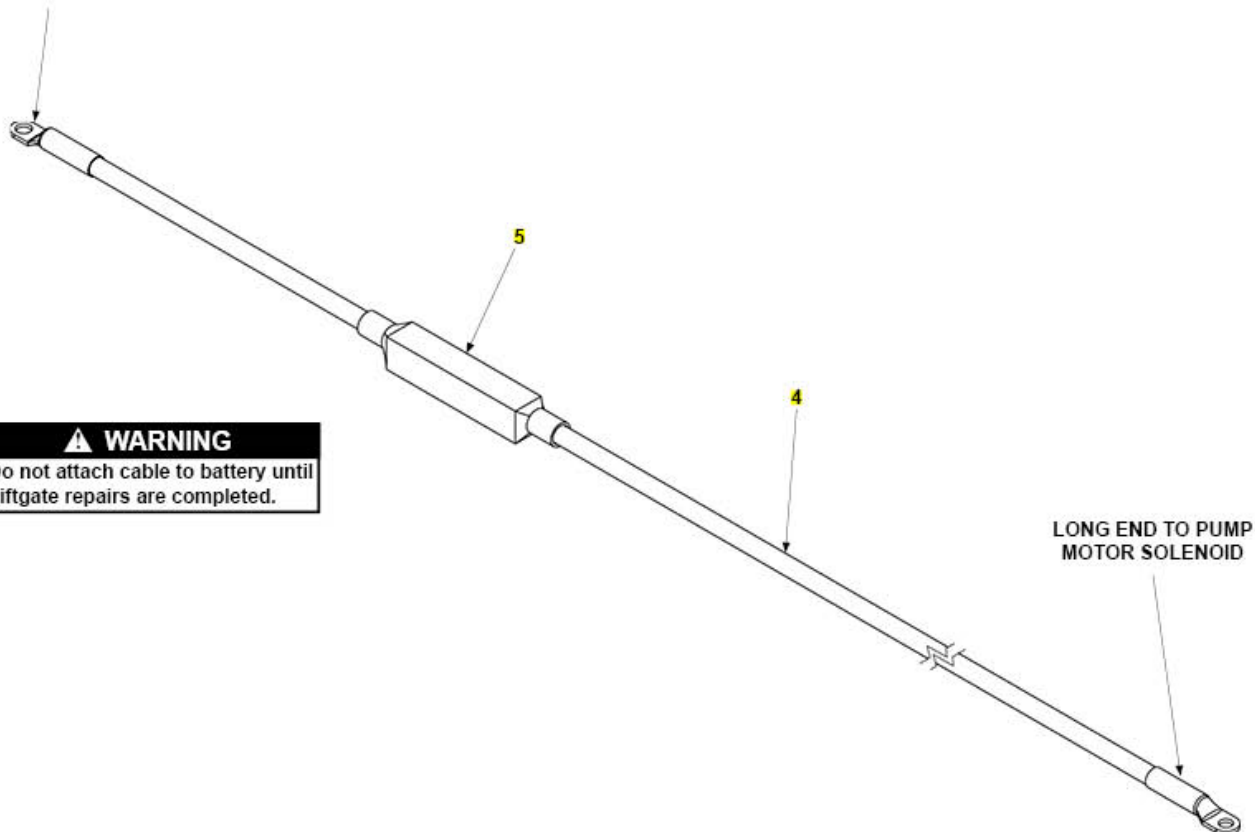
JUNE 2018 to present

NOTE: Use switch to raise and lower Liftgate to make sure switch operates as shown on the decal.

NOTE: MAXON recommends using dielectric grease on all electrical connections.



SHORT END TO VEHICLE
BATTERY

**⚠ WARNING**

Do not attach cable to battery until Liftgate repairs are completed.

LONG END TO PUMP
MOTOR SOLENOID

SPARE PARTS LIST**TE-15/20/25/30**

Pos	CPN	Qty	Description
1	296855-01	1	TOGGLE SWITCH ASSY, 138" LG
2	900057-7	2	SCREW, SELF TAP, 10-24X1-1/2 PH, ZC
3	907220	1	SOFT INV TOGGLE BOOT
4	264422	1	CABLE ASSY, 175 AMPS, 38FT
5	264687	1	KIT, MEGA FUSEN 175 AMPS

SPARE PARTS LIST

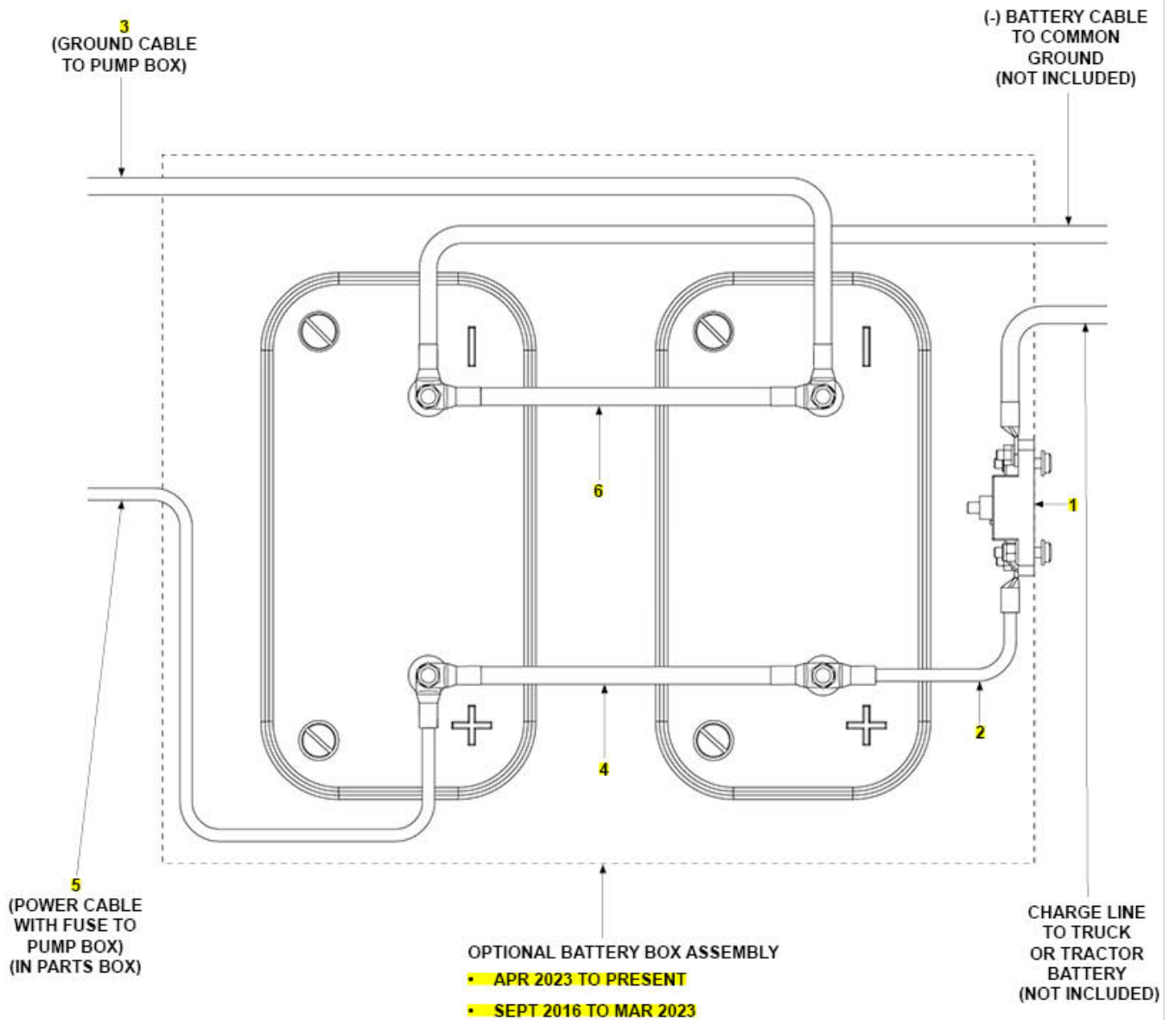
TE-15/20/25/30

OPTIONAL BATTERY BOX ELECTRICAL COMPONENTS

12 VOLT BATTERY CONNECTIONS

SEPT 2016 to present

NOTE: MAXON recommends using dielectric grease on all electrical connections.



SPARE PARTS LIST**TE-15/20/25/30**

Pos	CPN	Qty	Description
1	907207-01	1	CIRCUIT BREAKER, 150 AMP
2	269308-12	1	CABLE ASSY, 2GA RED, 12"
3	268226-06	1	CABLE ASSY,2GA,.31/.38RING,74"
4	269308-10	1	CABLE ASSY, 2 GA RED, 10"
5	264422	1	CABLE ASSY, 175 AMPS, 38FT
6	251871-14	1	CABLE 2 GA ASSY 10"

SPARE PARTS LIST

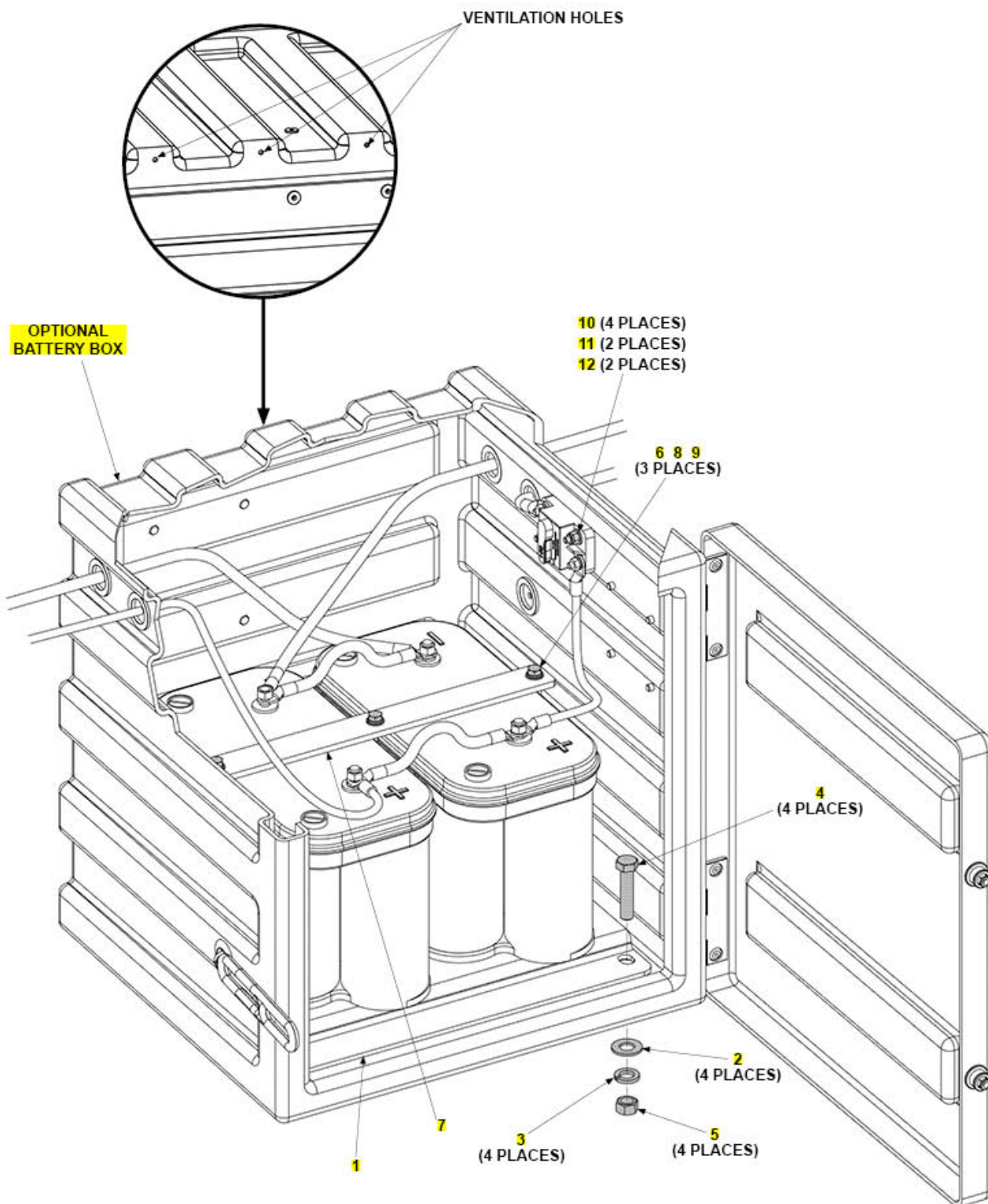
TE-15/20/25/30

OPTIONAL BATTERY BOX ASSEMBLY

⚠ WARNING

Explosive hydrogen gas from charging batteries can accumulate in battery box if not vented from the box. To prevent hydrogen gas from accumulating, ensure the 3 ventilation holes in battery box are not plugged or covered.

APR 2023 to present



SPARE PARTS LIST**TE-15/20/25/30**

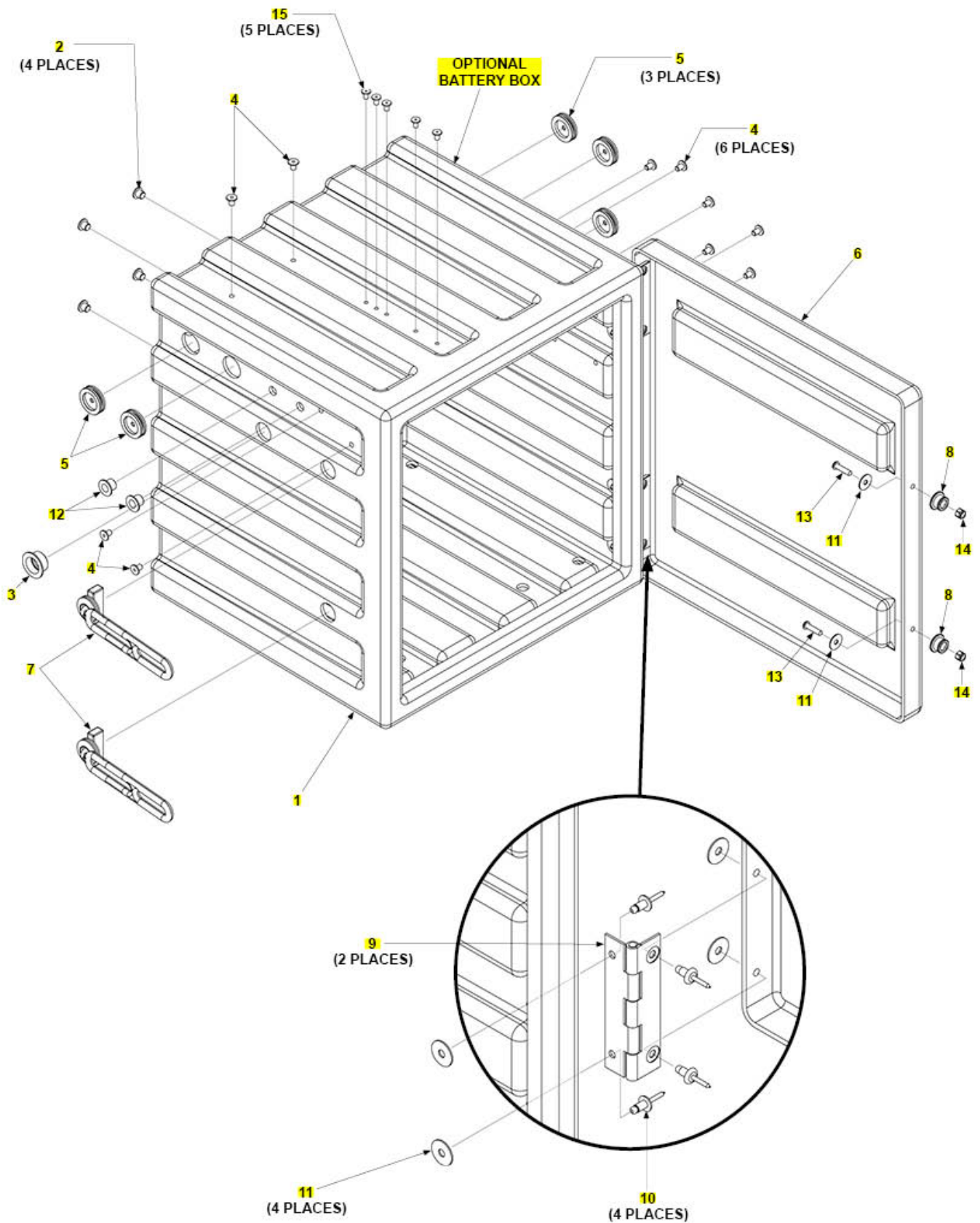
Pos	CPN	Qty	Description
1	212460-01G	1	BATTERY MNT WLDMT PLATE, GALV, 2 BATTERIES
2	902013-14	4	WASHER, FLAT 9/16" SAE ZC
3	902011-7	4	WASHER, LOCK .563, .141THK
4	900033-6	4	SCREW, CAP.5-20X2.25 GR8 ZC
5	901011-10	4	NUT, HEX HEAD .500-20 UNF-2B
6	900034-1	3	SCREW, CAP HEX .31-18X9-1/2 G5 ZC
7	289874-01	1	BATTERY STRAP, 2 BATTERY
8	902013-10	3	WASHER, FLAT 5/16" SAE, ZC
9	902011-3	3	WASHER, LOCK 5/16X5/64 G8 ZC
10	902013-09	4	WASHER 1/4" ZINC-SAME 030564
11	900002-5	2	SCREW, PH PAN HD, ZC 1/4-20X1.25
12	901000	2	NUT, NYLON 1/4-20 ZINC

SPARE PARTS LIST

TE-15/20/25/30

OPTIONAL BATTERY BOX

SEPT 2016 to present



SPARE PARTS LIST

TE-15/20/25/30

Pos	CPN	Qty	Description
REF	269561-01	1	BATTERY BOX
1	289854-01	1	BOX, MODIFIED WITH HOLES
2	908022-03	4	PLUG, FLEXIBLE .393X.471
3	908022-08	1	PLUG,FLEXIBLE 1.063X.63
4	908022-07	10	PLUG, FLEXIBLE .275X.511
5	266428-02	5	GROMMET, 1.0 DIAPH .25 HOLE
6	269558-01	1	BOX,COVER MODIFY WITH HOLES
7	908193-01	2	RUBBER LATCH
8	908194-01	2	FASTENING KNOB
9	285970-01	2	PLASTIC HINGE ASSY
10	903715-03	8	RIVET,BL/DM,AL/AL .25X.25-.37
11	903438-01	10	WASHER, FENDER .250 X .875 X .047 THK ZC
12	908022-05	2	PLUG, FLEXIBLE .580X.571
13	900719-07	2	SCREW,BUTTON.25-20 X1 SS
14	903137-01	2	NUT, NYL INSRT STOP .25-20 SS
15	908022-01	5	PLUG, FLEXIBLE .236X.471

SPARE PARTS LIST

TE-15/20/25/30

TE-15/20 DECAL

JAN 2021 to present

CAUTION
Always stand clear of platform area.

WARNING
Read this information carefully.

- Improper operation of this Liftgate can result in serious personal injury. If you do not have a copy of the operating instructions, please obtain them from your employer, distributor, or dealer before you attempt to operate the Liftgate.
- If there are signs of improper maintenance, damage to vital parts, or slippery platform surfaces, do not use the liftgate until these problems have been corrected.
- If you are using a pallet jack, be sure it can be maneuvered safely.
- Do not operate a forklift on the platform.
- Do not allow any part of your or your helper's body to be placed under, within, or around any portion of the moving Liftgate, or its mechanisms, or in a position that would trap them between the platform and the ground or track when the Liftgate is extended.
- If a helper is riding the platform with you, make sure you are both doing so safely and that you are not in danger of coming in contact with any moving or potentially moving components.
- **USE GOOD COMMON SENSE**
- If load appears to be unsafe, do not lift or lower it.

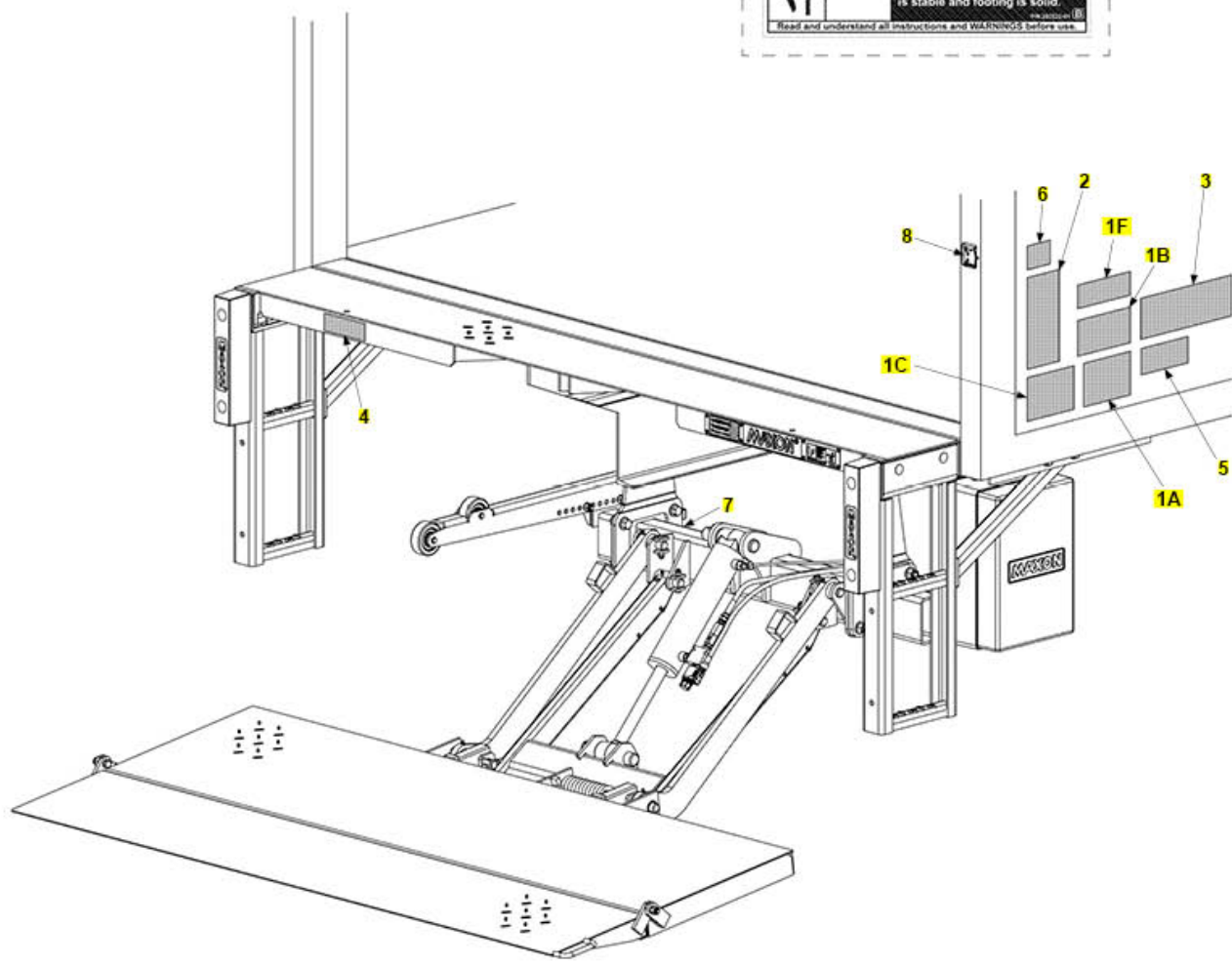
For a free copy of the manual that comes with this model Liftgate, please visit our website at www.maxonlift.com or call Customer Service at 800-541-6100.

SAFETY INSTRUCTIONS
Read all decals and operation manual before operating liftgate.

1. Do not use liftgate unless you have been properly instructed and have read, and are familiar with, the operating instructions.
2. Be certain vehicle is properly and securely braked before using the liftgate.
3. Always inspect this liftgate for maintenance or damage before using it. Do not use liftgate if it shows any sign of damage or improper maintenance.
4. Do not overload.
5. Make certain the area in which the platform will open and close is clear before opening or closing the platform.
6. Make certain platform area, including the area in which loads may fall from platform, is clear before and at all times during operation of liftgate.
7. This liftgate is intended for loading and unloading of large only. Do not use this liftgate for anything but its intended use.

WARNING
Liftgate hazards can result in crushing or falling. Keep hands and feet clear of pinch points. If riding liftgate, make sure load is stable and footing is solid.

Read and understand all instructions and WARNINGS before use.



SPARE PARTS LIST

TE-15/20/25/30

Pos	CPN	Qty	Description
1	282522-01	1	DECAL SHEET,SM WARN & CAUTION
1A	282522-01	1	DECAL SHEET,SM WARN & CAUTION
1B	282522-01	1	DECAL SHEET,SM WARN & CAUTION
1C	282522-01	1	DECAL SHEET,SM WARN & CAUTION
1F	282522-01	1	DECAL SHEET,SM WARN & CAUTION
2	285800-03	1	DECAL, TUK-A-WAY TE OPER INSTRUC
3	282847-02	1	DECAL,WARNING,STOW,TUK-A-WAY
4	265736-03	1	DECAL WARNING PINCH HAZARD
5	220386	1	DECAL 1500# CAPACITY
5	220387	1	DECAL 2000# CAPACITY 2X3.75
6	298634-01	1	DECAL, MAXON 24/7 SPRT, OPER
7	299348-01	1	DECAL, QR CODE, TE15/TE20
8	299038-01	1	DECAL, SHEET, UP AND DOWN BILINGUAL

SPARE PARTS LIST

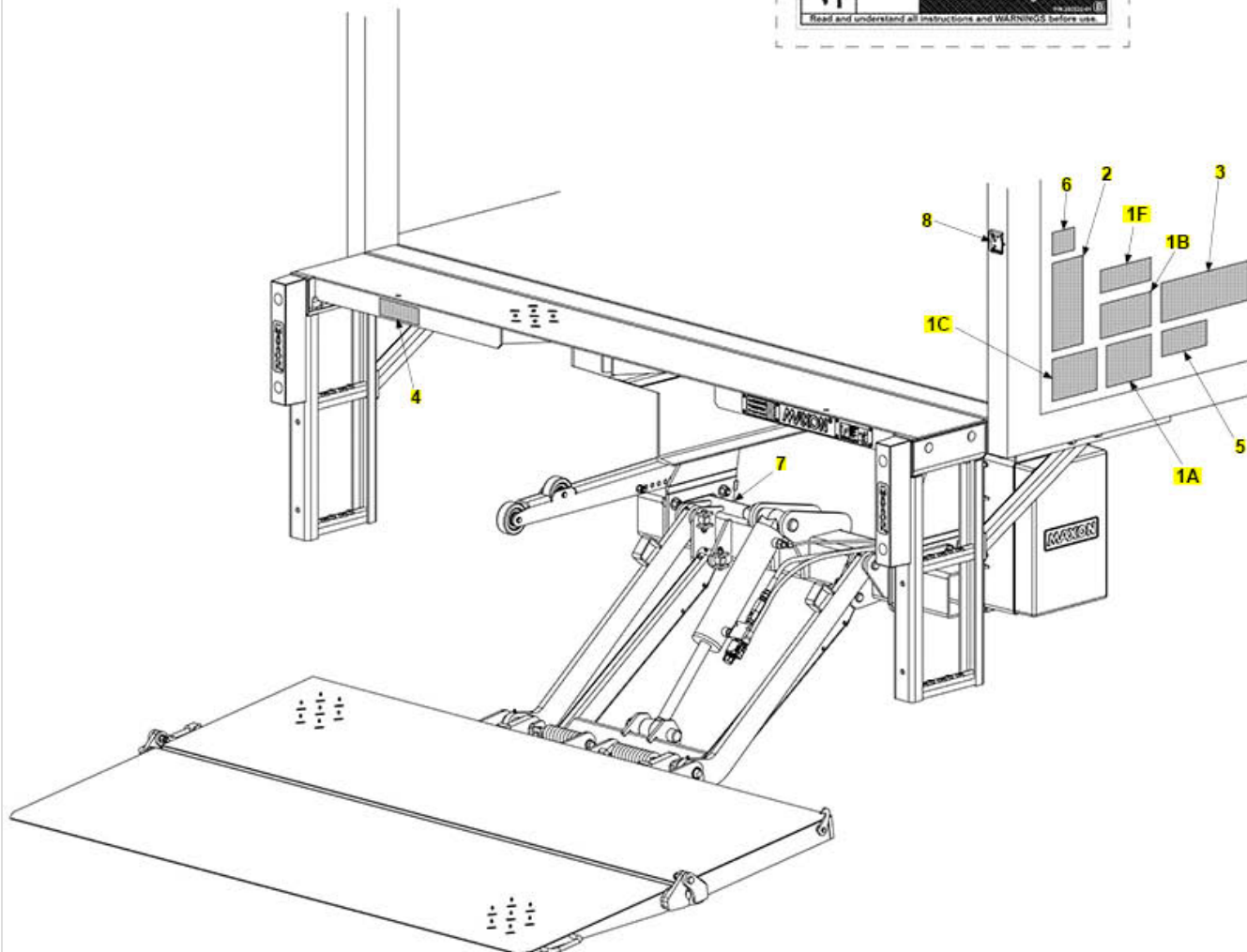
TE-15/20/25/30

TE-25/30 DECAL

JAN 2021 to present



1



SPARE PARTS LIST**TE-15/20/25/30**

Pos	CPN	Qty	Description
1	282522-01	1	DECAL SHEET,SM WARN & CAUTION
1A	282522-01	1	DECAL SHEET,SM WARN & CAUTION
1B	282522-01	1	DECAL SHEET,SM WARN & CAUTION
1C	282522-01	1	DECAL SHEET,SM WARN & CAUTION
1F	282522-01	1	DECAL SHEET,SM WARN & CAUTION
2	285800-03	1	DECAL, TUK-A-WAY TE OPER INSTRUC
3	282847-02	1	DECAL,WARNING,STOW,TUK-A-WAY
4	265736-03	1	DECAL WARNING PINCH HAZARD
5	220382	1	DECAL 2500# CAPACITY
5	220388	1	DECAL 3000# CAPACITY 2X3.75
6	298634-01	1	DECAL, MAXON 24/7 SPRT, OPER
7	299348-02	1	DECAL, QR CODE, TE25/TE30
8	299038-01	1	DECAL, SHEET, UP AND DOWN BILINGUAL