

---

# PE-TE-16-35 202012

## Table of Contents

---

Book Page	Page Number
Final Assembly 15-20	3
Final Assembly 25-30	5
Dual Steps Kits	7
Dual Steps Kits (May 2017 to Dec 2017)	13
Single Step Kits	19
Single Step Kits (May 2017 to Dec 2017)	23
Flexible Steps Kits	27
Flexible Steps Kits (May 2017 to Dec 2017)	32
Extension Plate - Bolt	37
Extension Plate - Weld	39
Main Assembly 15-20 Painted	41
Main Assembly 15-20 Painted, Pins and Bushings	43
Main Assembly 15-20 Galvanized	45
Main Assembly 15-20 Galvanized, Pins and Bushings	47
Main Assembly 25-30 Painted STS	49
Main Assembly 25-30 P STS P and B	51
Main Assembly 25-30 G STS	53
Main Assembly 25-30 G STS P and B	55
Main Assembly 25-30 P DTS	57
Main Assembly 25-30 P DTS P and B	59
Main Assembly 25-30 G DTS	61
Main Assembly 25-30 G DTS P and B	63
Steel Platform and Flipover	65
Steel Platform and Flipover wo TB	67

Steel Platform and Flipover w TB	69
Steel Platform and Aluminum Flipover	71
Platform Assembly (Steel)	73
Aluminum Platform and Flipover Assembly 15-20	75
Aluminum Platform and Flipover Assembly	77
Platform Assembly 15-20 (Aluminum)	79
Platform Assembly (Aluminum)	81
Flipover with Single Cart Stop 15-20	83
Flipover with Single Cart Stop 25-30	85
Flipover with Dual Cart Stop 15-30	87
Flipover with Dual Cart Stop 25-30	89
Hydraulic Systems GD 15-20	91
Hydraulic Systems GD 25-30	93
Hydraulic Systems PD 15-20	95
Hydraulic Systems PD 25-30	97
Pump Assembly GD 12V	99
Pump Assembly GD 24V	101
Pump Assembly PD	103
12 VDC Power Unit GD	105
24 VDC Power Unit GD	107
12 VDC Power Unit PD	109
Control Switch and Power Cable	111
Optional Battery Box Electrical Components	113
Optional Battery Box Assembly	115
Optional Battery Box	117
Decals 15-20	119
Decals	121

## SPARE PARTS LIST

TE-15/20/25/30

## TE-15/20 FINAL ASSEMBLY

NOV 2017 to DEC 2020

## STEP KITS

- DUAL  
JAN 2018 TO DEC 2020  
NOV 2017 TO DEC 2017
- SINGLE  
JAN 2018 TO DEC 2020  
NOV 2017 TO DEC 2017
- FLEXIBLE  
JAN 2018 TO DEC 2020  
NOV 2017 TO DEC 2017

## MAIN ASSEMBLY

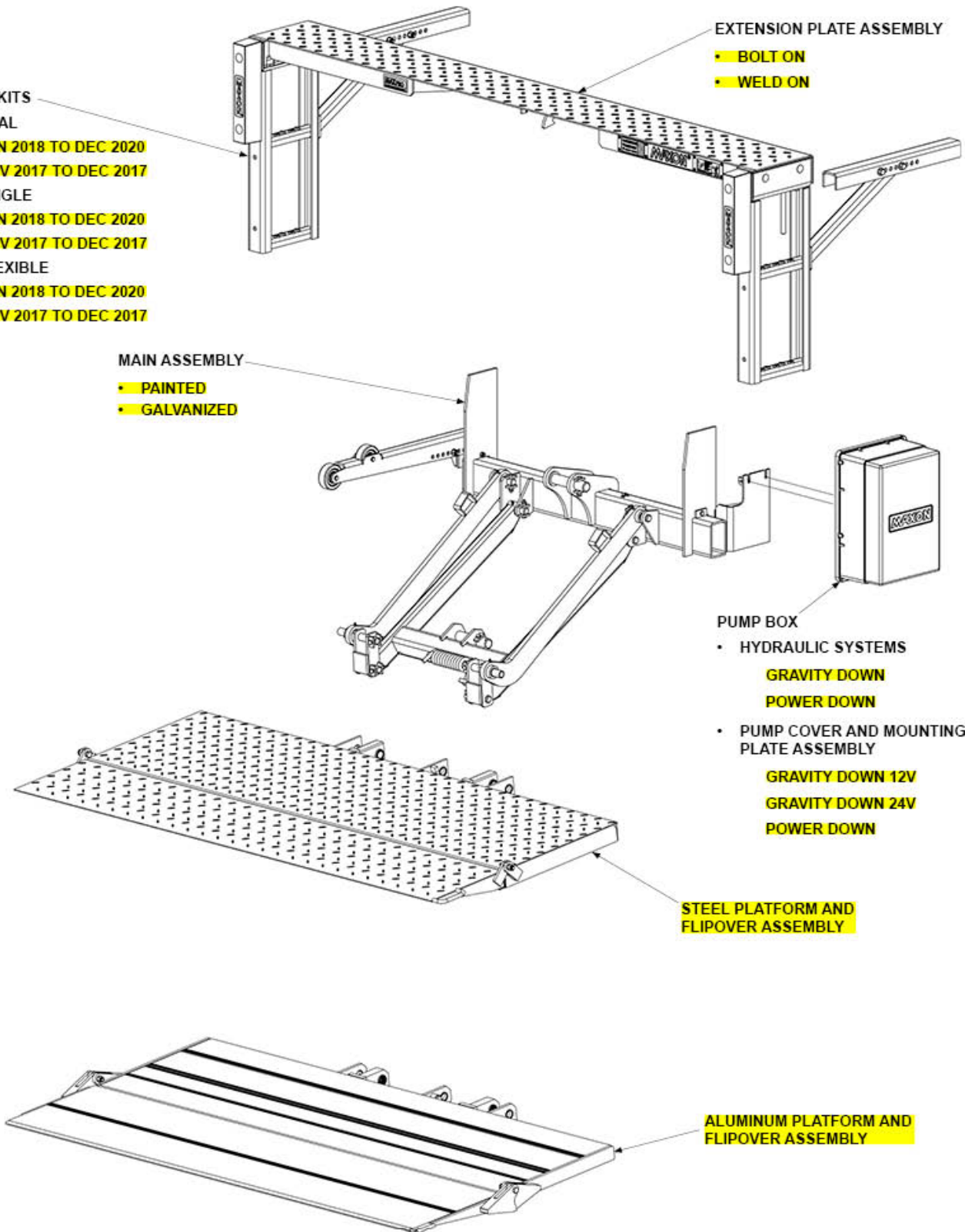
- PAINTED
- GALVANIZED

## EXTENSION PLATE ASSEMBLY

- BOLT ON
- WELD ON

## PUMP BOX

- HYDRAULIC SYSTEMS  
GRAVITY DOWN  
POWER DOWN
- PUMP COVER AND MOUNTING  
PLATE ASSEMBLY  
GRAVITY DOWN 12V  
GRAVITY DOWN 24V  
POWER DOWN

STEEL PLATFORM AND  
FLIPOVER ASSEMBLYALUMINUM PLATFORM AND  
FLIPOVER ASSEMBLY



03/18/2021

Page

4

of

122

*Spare Parts*

**SPARE PARTS LIST**

**TE-15/20/25/30**

Pos	CPN	Qty	Description
-----	-----	-----	-------------

SPARE PARTS LIST

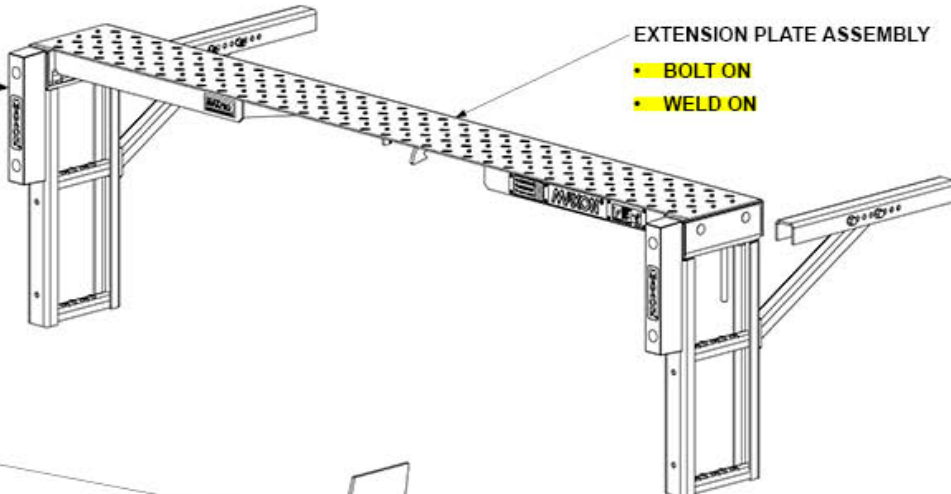
TE-15/20/25/30

TE-25/30 FINAL ASSEMBLY

MAY 2017 to DEC 2020

STEP KITS

- DUAL  
**JAN 2018 TO DEC 2020**  
**MAY 2017 TO DEC 2017**
- SINGLE  
**JAN 2018 TO DEC 2020**  
**MAY 2017 TO DEC 2017**
- FLEXIBLE  
**JAN 2018 TO DEC 2020**  
**MAY 2017 TO DEC 2017**

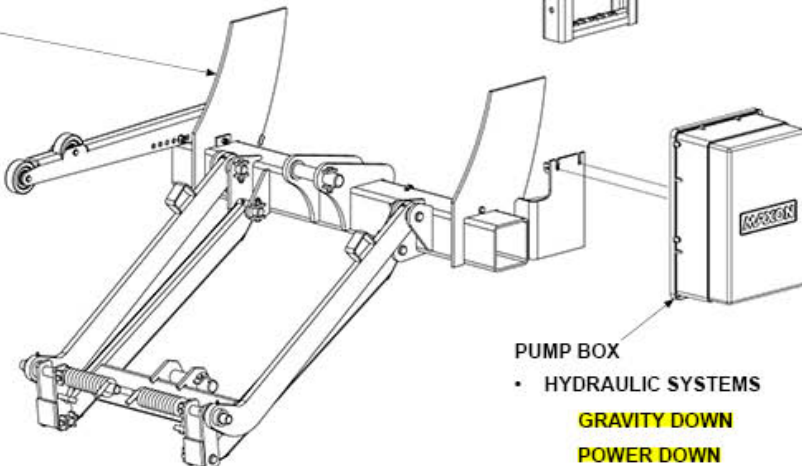


EXTENSION PLATE ASSEMBLY

- BOLT ON
- WELD ON

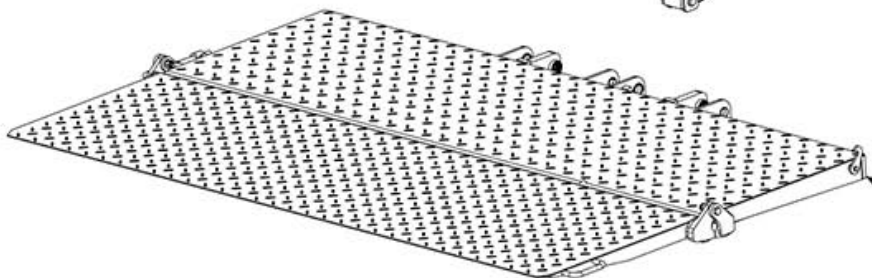
MAIN ASSEMBLY

- PAINTED  
**WITH SINGLE TORSION SPRING**  
**WITH DUAL TORSION SPRINGS**
- GALVANIZED  
**WITH SINGLE TORSION SPRING**  
**WITH DUAL TORSION SPRINGS**



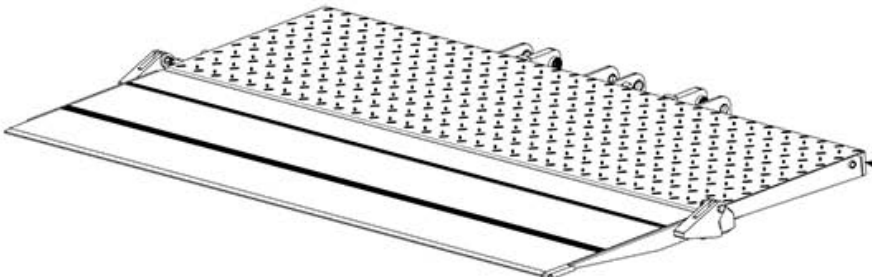
PUMP BOX

- HYDRAULIC SYSTEMS  
**GRAVITY DOWN**  
**POWER DOWN**
- PUMP COVER AND MOUNTING PLATE ASSEMBLY  
**GRAVITY DOWN 12V**  
**GRAVITY DOWN 24V**  
**POWER DOWN**

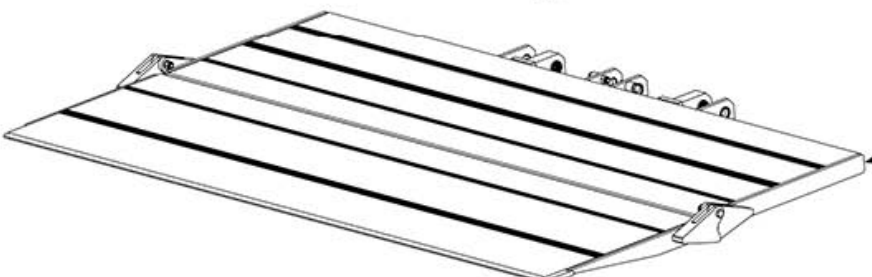


STEEL PLATFORM AND FLIPOVER ASSEMBLY

- WITHOUT TORSION BAR
- WITH TORSION BAR



STEEL PLATFORM AND ALUMINUM FLIPOVER ASSEMBLY



ALUMINUM PLATFORM AND FLIPOVER ASSEMBLY



03/18/2021

Page

6

of

122

*Spare Parts*

**SPARE PARTS LIST**

**TE-15/20/25/30**

Pos	CPN	Qty	Description
-----	-----	-----	-------------

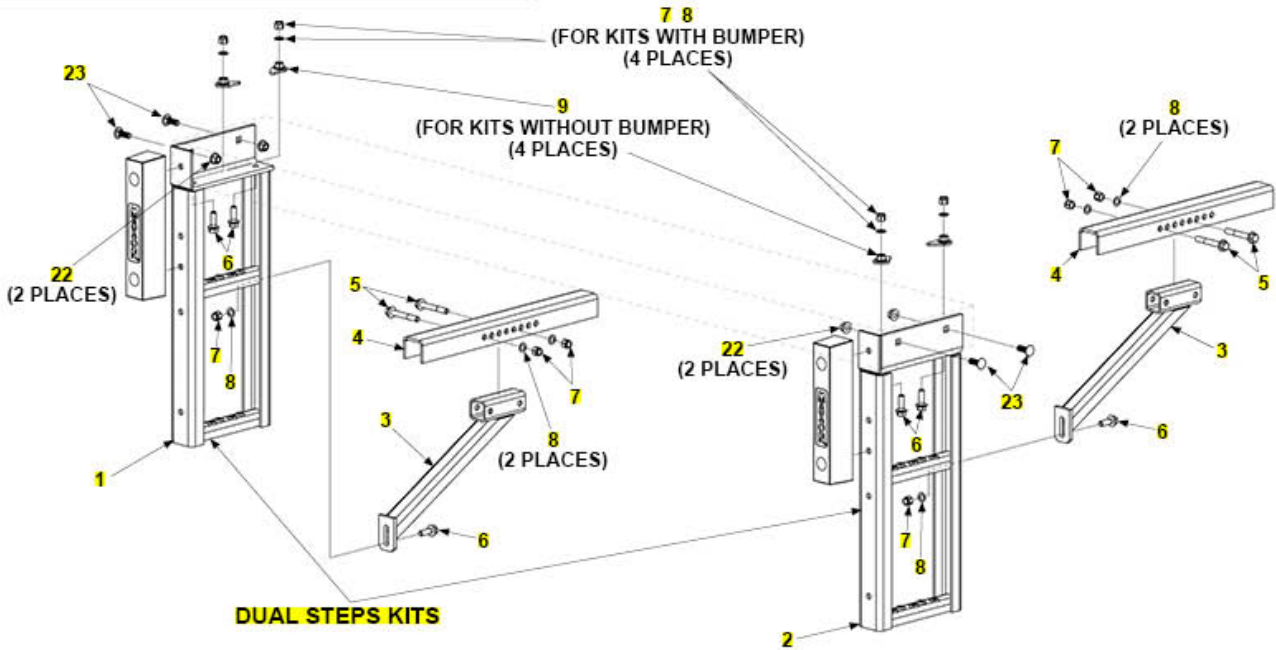
**SPARE PARTS LIST**

TE-15/20/25/30

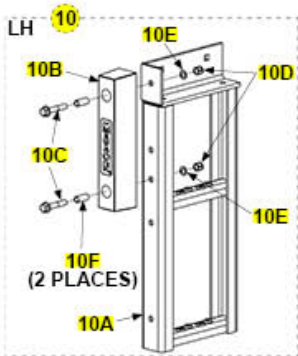
**DUAL STEPS KITS**

JAN 2018 to present

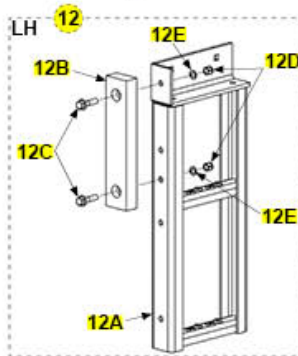
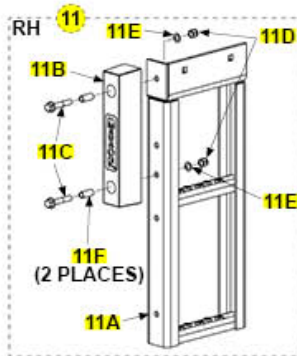
NOTE: Dual steps shown are only compatible with bolt-on extension plates.



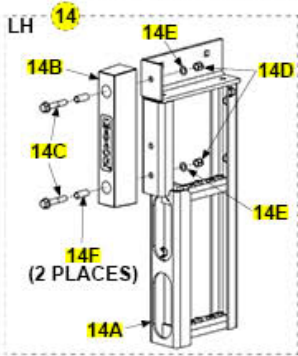
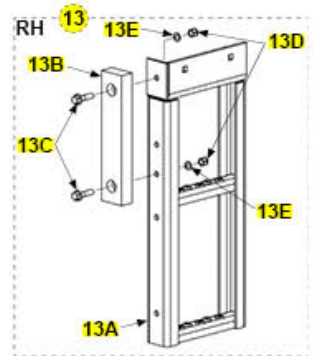
**DUAL STEPS KITS**



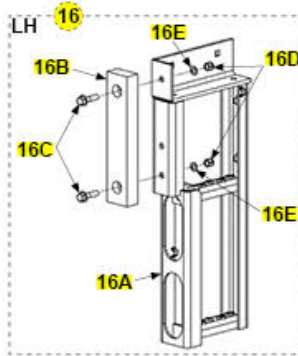
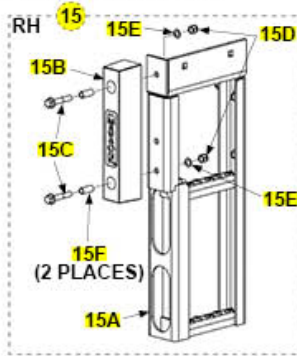
DUAL STEP ASSEMBLY WITH RUBBER BUMPER



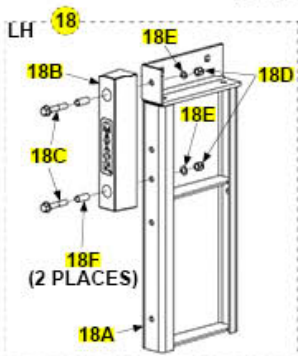
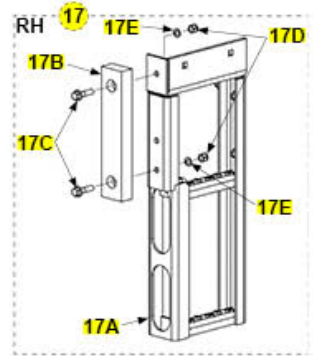
DUAL STEP ASSEMBLY WITH PLASTIC BUMPER



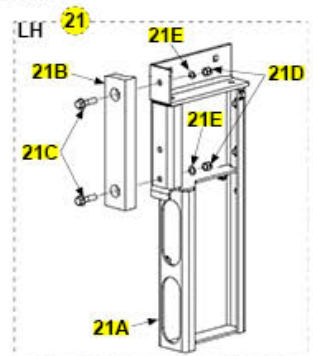
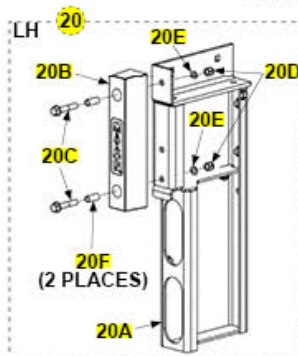
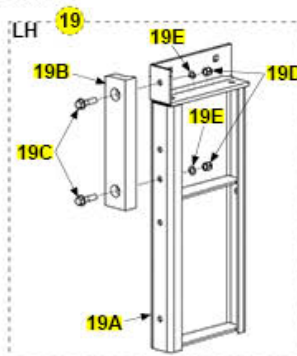
OVAL LIGHT DUAL STEP ASSEMBLY WITH RUBBER BUMPER



OVAL LIGHT DUAL STEP ASSEMBLY WITH PLASTIC BUMPER



DUAL NO STEP ASSEMBLY WITH BUMPER



SPARE PARTS LIST

TE-15/20/25/30

Pos	CPN	Qty	Description
REF	288705-01	1	KIT, DUAL STEPS, 14" RBR BMPRS
REF	288705-01G	1	KIT, DUAL STEPS, 14" RBR BMPRS, G
REF	288705-02	1	KIT, DUAL STEPS, 13.5" PE BMPRS
REF	288705-02G	1	KIT, DUAL STEPS, 13.5" PE BMPRS, G
REF	288705-03	1	KIT, DUAL STEPS, SS NO/STPS, 14" RBR BMPRS
REF	288705-03G	1	KIT, DUAL STEPS, SS NO/STPS, 14" RBR BMPRS,G
REF	288705-04	1	KIT, DUAL STEPS, SS NO/STPS, 13.5" PE BMPRS
REF	288705-04G	1	KIT, DUAL STEPS, SS NO/STPS, 13.5" PE BMPRS,G
REF	288705-05	1	KIT, DUAL STEPS NO BMPRS
REF	288705-05G	1	KIT, DUAL STEPS NO BMPRS, G
REF	288705-06	1	KIT, DUAL STEPS, SS NO/STEPS,NO BMPRS
REF	288705-06G	1	KIT, DUAL STEPS, SS NO/STEPS,NO BMPRS, G
REF	288705-31	1	KIT, DUAL STEPS W/LGHT, 14" RBR BMPRS
REF	288705-31G	1	KIT, DUAL STEPS W/LGHT, 14" RBR BMPRS, G
REF	288705-32	1	KIT, DUAL STEPS W/LGHT, 13.5" PE BMPRS
REF	288705-32G	1	KIT, DUAL STEPS W/LGHT, 13.5" PE BMPRS, G
REF	288705-33	1	KIT, DUAL STEPS W/LGHT, SS NO/STPS, 14" RBR BMPRS
REF	288705-33G	1	KIT, DUAL STEPS W/LGHT, SS NO/STPS, 14" RBR BMPRS,G
REF	288705-34	1	KIT, DUAL STEPS W/LGHT, SS NO/STPS, 13.5" PE BMPRS
REF	288705-34G	1	KIT, DUAL STEPS W/LGHT, SS NO/STPS, 13.5" PE BMPRS,G
REF	288705-35	1	KIT, DUAL STEPS W/LGHT, NO BMPRS
REF	288705-35G	1	KIT, DUAL STEPS W/LGHT, NO BMPRS, G
REF	288705-36	1	KIT, DUAL STEPS W/LGHT, SS NO/STEPS,NO BMPRS
REF	288705-36G	1	KIT, DUAL STEPS W/LGHT, SS NO/STEPS,NO BMPRS, G
1	288675-01	1	DUAL STEP WLDM, L



## SPARE PARTS LIST

TE-15/20/25/30

Pos	CPN	Qty	Description
1	288675-01G	1	DUAL STEP WLDMT, LH,G
1	288675-03	1	DUAL STEP WLDMT, NO STEP, LH
1	288675-03G	1	DUAL STEP WLDMT, NO STEP, LH, G
1	288675-31	1	DUAL STEP WLDMT, W/OVL LGHT, LH
1	288675-31G	1	DUAL STEP WLDMT, W/OVL LGHT, LH,G
1	288675-33	1	DUAL STEP WLDMT, W/OVL LGHT, NO STP, LH
1	288675-33G	1	DUAL STEP WLDMT, W/OVL LGHT, NO STP, LH,G
2	288675-02	1	DUAL STEP WLDMT, RH
2	288675-02G	1	DUAL STEP WLDMT, RH,G
2	288675-32	1	DUAL STEP WLDMT, W/OVL LGHT, RH
2	288675-32G	1	DUAL STEP WLDMT, W/OVL LGHT, RH, G
3	288688-01	2	SUPPORT WLDMT, STEPS
3	288688-01G	2	SUPPORT WLDMT, STEPS, GAL
4	288419-01	2	CHANNEL, STEP MOUNT
5	901024-10	4	BOLT HEX FRAME .5-13X3.5"LG
6	901024-5	6	BOLT HEX FRAME .5-13X1.5"LG
7	901010	10	NUT, NYLON LOCK 1/2-13 ZC
8	902000-14	10	WASHER, FLAT .500X.063 THK
9	283700-01	4	TEAR DROP WLDMT
10	288690-01	1	DUAL STEP ASSY, LH, 14"RBR BMPR
10	288690-01G	1	DUAL STEP ASSY, LH, 14"RBR BMPR,G
10A	288675-01	1	DUAL STEP WLDMT, LH
10A	288675-01G	1	DUAL STEP WLDMT, LH, G
10B	905344-02	1	BUMPER,RUBBER, BLK 2.5X3X14
10C	901024-9	2	BOLT HEX FRAME .5-13X2.75"LG
10D	901010	2	NUT, NYLON LOCK 1/2-13 ZC
10E	902000-14	2	WASHER, FLAT .500X.063 THK
10F	092036-10	2	RD MECH TUBE.625ODX.058WX1.44L
11	288690-02	1	DUAL STEP ASSY, RH, 14"RBR BMPR
11	288690-02G	1	DUAL STEP ASSY, RH, 14"RBR BMPR,G
11A	288675-02	1	DUAL STEP WLDMT, RH
11A	288675-02G	1	DUAL STEP WLDMT, RH, G
11B	905344-02	1	BUMPER,RUBBER, BLK 2.5X3X14

SPARE PARTS LIST

TE-15/20/25/30

Pos	CPN	Qty	Description
11C	901024-9	2	BOLT HEX FRAME .5-13X2.75"LG
11D	901010	2	NUT, NYLON LOCK 1/2-13 ZC
11E	902000-14	2	WASHER, FLAT .500X.063 THK
11F	092036-10	2	RD MECH TUBE.625ODX.058WX1.44L
12	288690-03	1	DUAL STEP ASSY, LH, 13.5"PE BMPR
12	288690-03G	1	DUAL STEP ASSY, LH, 13.5"PE BMPR,G
12A	288675-01	1	DUAL STEP WLDMT, LH
12A	288675-01G	1	DUAL STEP WLDMT, LH, G
12B	905386-01	1	BUMPER,PLASTIC, 1.5 X 2.85 X13.5 LG
12C	901024-7	2	BOLT HEX FRAME .5-13X2"LG
12D	901010	2	NUT, NYLON LOCK 1/2-13 ZC
12E	902000-14	2	WASHER, FLAT .500X.063 THK
13	288690-04	1	DUAL STEP ASSY, RH, 13.5"PE BMPR
13	288690-04G	1	DUAL STEP ASSY, RH, 13.5"PE BMPR,G
13A	288675-02	1	DUAL STEP WLDMT, RH
13A	288675-02G	1	DUAL STEP WLDMT, RH, G
13B	905386-01	1	BUMPER,PLASTIC, 1.5 X 2.85 X13.5 LG
13C	901024-7	2	BOLT HEX FRAME .5-13X2"LG
13D	901010	2	NUT, NYLON LOCK 1/2-13 ZC
13E	902000-14	2	WASHER, FLAT .500X.063 THK
14	288690-31	1	DUAL STEP ASSY, O/LGHT, LH, 14"RBR BMPR
14	288690-31G	1	DUAL STEP ASSY, O/LGHT, LH, 14"RBR BMPR, G
14A	288675-31	1	DUAL STEP WLDMT,W/OVL LGHT, LH
14A	288675-31G	1	DUAL STEP WLDMT,W/OVL LGHT, LH, G
14B	905344-02	1	BUMPER,RUBBER, BLK 2.5X3X14
14C	901024-9	2	BOLT HEX FRAME .5-13X2.75"LG
14D	901010	2	NUT, NYLON LOCK 1/2-13 ZC
14E	902000-14	2	WASHER, FLAT .500X.063 THK
14F	092036-10	2	RD MECH TUBE.625ODX.058WX1.44L
15	288690-32	1	DUAL STEP ASSY, O/LGHT, RH, 14"RBR BMPR
15	288690-32G	1	DUAL STEP ASSY, O/LGHT, RH, 14"RBR BMPR,G

## SPARE PARTS LIST

TE-15/20/25/30

Pos	CPN	Qty	Description
15A	288675-32	1	DUAL STEP WLDMT,W/OVL LGHT, RH
15A	288675-32G	1	DUAL STEP WLDMT,W/OVL LGHT, RH, G
15B	905344-02	1	BUMPER,RUBBER, BLK 2.5X3X14
15C	901024-9	2	BOLT HEX FRAME .5-13X2.75"LG
15D	901010	2	NUT, NYLON LOCK 1/2-13 ZC
15E	902000-14	2	WASHER, FLAT .500X.063 THK
15F	092036-10	2	RD MECH TUBE.625ODX.058WX1.44L
16	288690-33	1	DUAL STEP ASSY, O/LGHT, LH, 13.5"PE BMPR
16	288690-33G	1	DUAL STEP ASSY, O/LGHT, LH, 13.5"PE BMPR,G
16A	288675-31	1	DUAL STEP WLDMT,W/OVL LGHT, LH
16A	288675-31G	1	DUAL STEP WLDMT,W/OVL LGHT, LH, G
16B	905386-01	1	BUMPER,PLASTIC, 1.5 X 2.85 X13.5 LG
16C	901024-7	2	BOLT HEX FRAME .5-13X2"LG
16D	901010	2	NUT, NYLON LOCK 1/2-13 ZC
16E	902000-14	2	WASHER, FLAT .500X.063 THK
17	288690-34	1	DUAL STEP ASSY, O/LGHT, RH, 13.5"PE BMPR
17	288690-34G	1	DUAL STEP ASSY, O/LGHT, RH, 13.5"PE BMPR,G
17A	288675-32	1	DUAL STEP WLDMT,W/OVL LGHT, RH
17A	288675-32G	1	DUAL STEP WLDMT,W/OVL LGHT, RH, G
17B	905386-01	1	BUMPER,PLASTIC, 1.5 X 2.85 X13.5 LG
17C	901024-7	2	BOLT HEX FRAME .5-13X2"LG
17D	901010	2	NUT, NYLON LOCK 1/2-13 ZC
17E	902000-14	2	WASHER, FLAT .500X.063 THK
18	288690-05	1	DUAL NO STEP ASSY, LH, 14"RBR BMPR
18	288690-05G	1	DUAL NO STEP ASSY, LH, 14"RBR BMPR,G
18A	288675-03	1	CHANNEL WLDMT 29.5" LG, NO STEPS, LH
18A	288675-03G	1	CHANNEL WLDMT 29.5" LG, NO STEPS, LH, G
18B	905344-02	1	BUMPER,RUBBER, BLK 2.5X3X14
18C	901024-9	2	BOLT HEX FRAME .5-13X2.75"LG
18D	901010	2	NUT, NYLON LOCK 1/2-13 ZC
18E	902000-14	2	WASHER, FLAT .500X.063 THK

## SPARE PARTS LIST

TE-15/20/25/30

Pos	CPN	Qty	Description
18F	092036-10	2	RD MECH TUBE.625ODX.058WX1.44L
19	288690-06	1	DUAL NO STEP ASSY, LH, 13.5"PE BMPR
19	288690-06G	1	DUAL NO STEP ASSY, LH, 13.5"PE BMPR,G
19A	288675-03	1	CHANNEL WLDMT 29.5" LG, NO STEPS, LH
19A	288675-03G	1	CHANNEL WLDMT 29.5" LG, NO STEPS, LH, G
19B	905386-01	1	BUMPER,PLASTIC, 1.5 X 2.85 X13.5 LG
19C	901024-7	2	BOLT HEX FRAME .5-13X2"LG
19D	901010	2	NUT, NYLON LOCK 1/2-13 ZC
19E	902000-14	2	WASHER, FLAT .500X.063 THK
20	288690-35	1	DUAL NO STEP ASSY, O/LGHT, LH, 14"RBR BMPR
20	288690-35G	1	DUAL NO STEP ASSY,O/LGHT, LH, 14"RBR BMPR,G
20A	288675-33	1	CHNL WLDMT,W/OVL LGHT, NO STEPS, LH
20A	288675-33G	1	CHNL WLDMT,W/OVL LGHT, NO STEPS, LH, G
20B	905344-02	1	BUMPER,RUBBER, BLK 2.5X3X14
20C	901024-9	2	BOLT HEX FRAME .5-13X2.75"LG
20D	901010	2	NUT, NYLON LOCK 1/2-13 ZC
20E	902000-14	2	WASHER, FLAT .500X.063 THK
20F	092036-10	2	RD MECH TUBE.625ODX.058WX1.44L
21	288690-36	1	DUAL NO STEP ASSY, O/LGHT, LH, 13.5"PE BMPR
21	288690-36G	1	DUAL NO STEP ASSY,O/LGHT, LH, 13.5"PE BMPR,G
21A	288675-33	1	CHNL WLDMT,W/OVL LGHT, NO STEPS, LH
21A	288675-33G	1	CHNL WLDMT,W/OVL LGHT, NO STEPS, LH, G
21B	905386-01	1	BUMPER,PLASTIC, 1.5 X 2.85 X13.5 LG
21C	901024-7	2	BOLT HEX FRAME .5-13X2"LG
21D	901010	2	NUT, NYLON LOCK 1/2-13 ZC
21E	902000-14	2	WASHER, FLAT .500X.063 THK
22	901023	4	FLANGE LOCK NUT
23	900820-01	4	CARRIAGE BOLT SQUARE NECK 1/2"-13

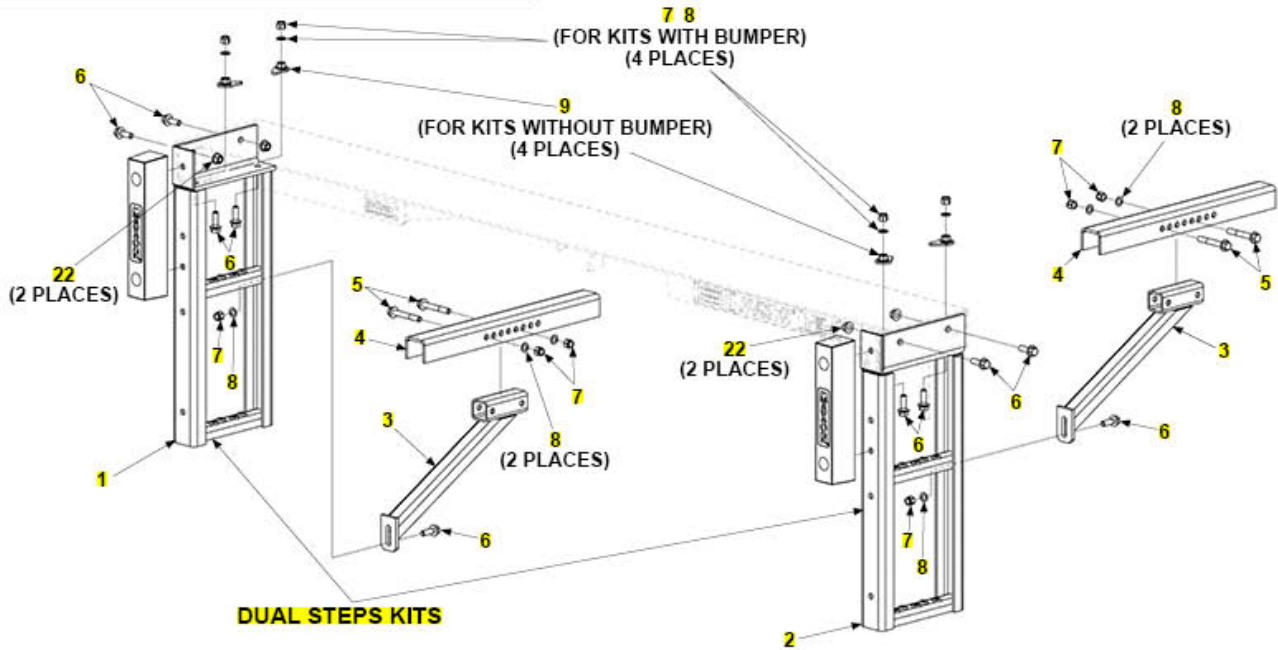
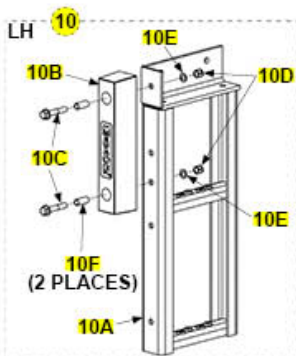
**SPARE PARTS LIST**

TE-15/20/25/30

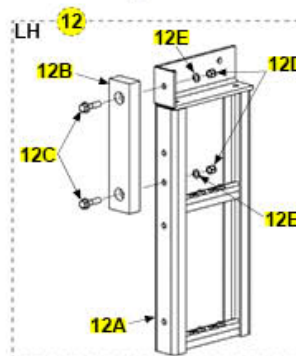
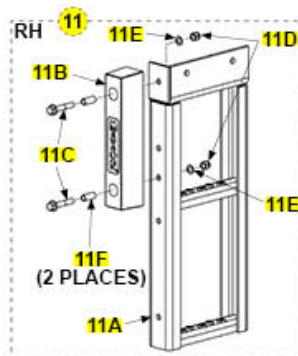
**DUAL STEPS KITS**

MAY 2017 to DEC 2017

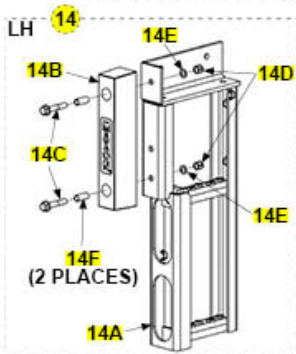
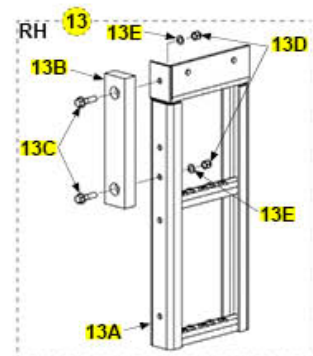
NOTE: Dual steps shown are only compatible with bolt-on extension plates.

**DUAL STEPS KITS**

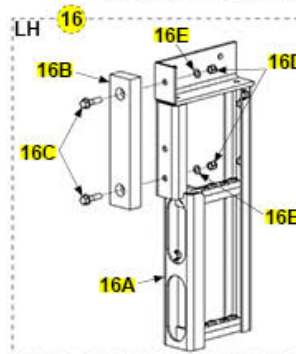
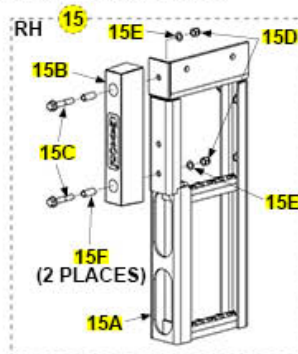
DUAL STEP ASSEMBLY WITH RUBBER BUMPER



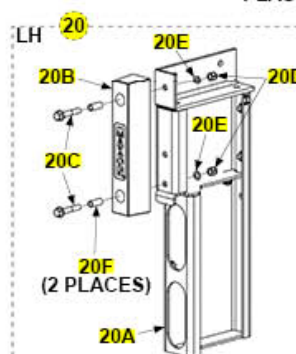
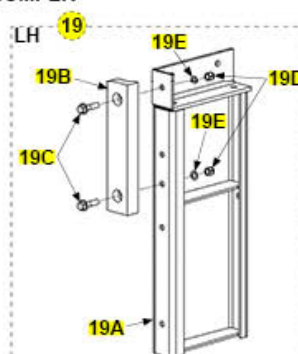
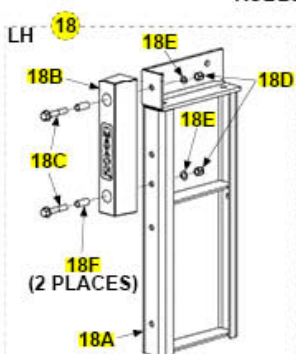
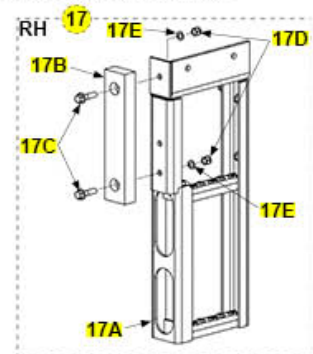
DUAL STEP ASSEMBLY WITH PLASTIC BUMPER



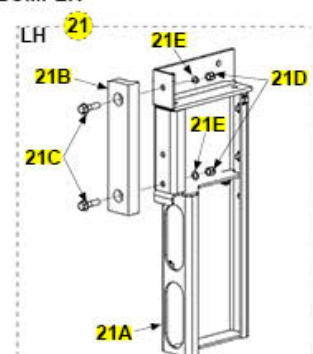
OVAL LIGHT DUAL STEP ASSEMBLY WITH RUBBER BUMPER



OVAL LIGHT DUAL STEP ASSEMBLY WITH PLASTIC BUMPER



DUAL NO STEP ASSEMBLY WITH BUMPER



SPARE PARTS LIST

TE-15/20/25/30

Pos	CPN	Qty	Description
REF	288705-01	1	KIT, DUAL STEPS, 14" RBR BMPRS
REF	288705-01G	1	KIT, DUAL STEPS, 14" RBR BMPRS, G
REF	288705-02	1	KIT, DUAL STEPS, 13.5" PE BMPRS
REF	288705-02G	1	KIT, DUAL STEPS, 13.5" PE BMPRS, G
REF	288705-03	1	KIT, DUAL STEPS, SS NO/STPS, 14" RBR BMPRS
REF	288705-03G	1	KIT, DUAL STEPS, SS NO/STPS, 14" RBR BMPRS,G
REF	288705-04	1	KIT, DUAL STEPS, SS NO/STPS, 13.5" PE BMPRS
REF	288705-04G	1	KIT, DUAL STEPS, SS NO/STPS, 13.5" PE BMPRS,G
REF	288705-05	1	KIT, DUAL STEPS NO BMPRS
REF	288705-05G	1	KIT, DUAL STEPS NO BMPRS, G
REF	288705-06	1	KIT, DUAL STEPS, SS NO/STEPS,NO BMPRS
REF	288705-06G	1	KIT, DUAL STEPS, SS NO/STEPS,NO BMPRS, G
REF	288705-31	1	KIT, DUAL STEPS W/LGHT, 14" RBR BMPRS
REF	288705-31G	1	KIT, DUAL STEPS W/LGHT, 14" RBR BMPRS, G
REF	288705-32	1	KIT, DUAL STEPS W/LGHT, 13.5" PE BMPRS
REF	288705-32G	1	KIT, DUAL STEPS W/LGHT, 13.5" PE BMPRS, G
REF	288705-33	1	KIT, DUAL STEPS W/LGHT, SS NO/STPS, 14" RBR BMPRS
REF	288705-33G	1	KIT, DUAL STEPS W/LGHT, SS NO/STPS, 14" RBR BMPRS,G
REF	288705-34	1	KIT, DUAL STEPS W/LGHT, SS NO/STPS, 13.5" PE BMPRS
REF	288705-34G	1	KIT, DUAL STEPS W/LGHT, SS NO/STPS, 13.5" PE BMPRS,G
REF	288705-35	1	KIT, DUAL STEPS W/LGHT, NO BMPRS
REF	288705-35G	1	KIT, DUAL STEPS W/LGHT, NO BMPRS, G
REF	288705-36	1	KIT, DUAL STEPS W/LGHT, SS NO/STEPS,NO BMPRS
REF	288705-36G	1	KIT, DUAL STEPS W/LGHT, SS NO/STEPS,NO BMPRS, G
1	288675-01	1	DUAL STEP WLDM, L

## SPARE PARTS LIST

TE-15/20/25/30

Pos	CPN	Qty	Description
1	288675-01G	1	DUAL STEP WLDMT, LH,G
1	288675-03	1	DUAL STEP WLDMT, NO STEP, LH
1	288675-03G	1	DUAL STEP WLDMT, NO STEP, LH, G
1	288675-31	1	DUAL STEP WLDMT, W/OVL LGHT, LH
1	288675-31G	1	DUAL STEP WLDMT, W/OVL LGHT, LH,G
1	288675-33	1	DUAL STEP WLDMT, W/OVL LGHT, NO STP, LH
1	288675-33G	1	DUAL STEP WLDMT, W/OVL LGHT, NO STP, LH,G
2	288675-02	1	DUAL STEP WLDMT, RH
2	288675-02G	1	DUAL STEP WLDMT, RH,G
2	288675-32	1	DUAL STEP WLDMT, W/OVL LGHT, RH
2	288675-32G	1	DUAL STEP WLDMT, W/OVL LGHT, RH, G
3	288688-01	2	SUPPORT WLDMT, STEPS
3	288688-01G	2	SUPPORT WLDMT, STEPS, GAL
4	288419-01	2	CHANNEL, STEP MOUNT
5	901024-10	4	BOLT HEX FRAME .5-13X3.5"LG
6	901024-5	10	BOLT HEX FRAME .5-13X1.5"LG
7	901010	10	NUT, NYLON LOCK 1/2-13 ZC
8	902000-14	10	WASHER, FLAT .500X.063 THK
9	283700-01	4	TEAR DROP WLDMT
10	288690-01	1	DUAL STEP ASSY, LH, 14"RBR BMPR
10	288690-01G	1	DUAL STEP ASSY, LH, 14"RBR BMPR,G
10A	288675-01	1	DUAL STEP WLDMT, LH
10A	288675-01G	1	DUAL STEP WLDMT, LH, G
10B	905344-02	1	BUMPER,RUBBER, BLK 2.5X3X14
10C	901024-9	2	BOLT HEX FRAME .5-13X2.75"LG
10D	901010	2	NUT, NYLON LOCK 1/2-13 ZC
10E	902000-14	2	WASHER, FLAT .500X.063 THK
10F	092036-10	2	RD MECH TUBE.625ODX.058WX1.44L
11	288690-02	1	DUAL STEP ASSY, RH, 14"RBR BMPR
11	288690-02G	1	DUAL STEP ASSY, RH, 14"RBR BMPR,G
11A	288675-02	1	DUAL STEP WLDMT, RH
11A	288675-02G	1	DUAL STEP WLDMT, RH, G
11B	905344-02	1	BUMPER,RUBBER, BLK 2.5X3X14

**SPARE PARTS LIST**

TE-15/20/25/30

Pos	CPN	Qty	Description
11C	901024-9	2	BOLT HEX FRAME .5-13X2.75"LG
11D	901010	2	NUT, NYLON LOCK 1/2-13 ZC
11E	902000-14	2	WASHER, FLAT .500X.063 THK
11F	092036-10	2	RD MECH TUBE.625ODX.058WX1.44L
12	288690-03	1	DUAL STEP ASSY, LH, 13.5"PE BMPR
12	288690-03G	1	DUAL STEP ASSY, LH, 13.5"PE BMPR,G
12A	288675-01	1	DUAL STEP WLDMT, LH
12A	288675-01G	1	DUAL STEP WLDMT, LH, G
12B	905386-01	1	BUMPER,PLASTIC, 1.5 X 2.85 X13.5 LG
12C	901024-7	2	BOLT HEX FRAME .5-13X2"LG
12D	901010	2	NUT, NYLON LOCK 1/2-13 ZC
12E	902000-14	2	WASHER, FLAT .500X.063 THK
13	288690-04	1	DUAL STEP ASSY, RH, 13.5"PE BMPR
13	288690-04G	1	DUAL STEP ASSY, RH, 13.5"PE BMPR,G
13A	288675-02	1	DUAL STEP WLDMT, RH
13A	288675-02G	1	DUAL STEP WLDMT, RH, G
13B	905386-01	1	BUMPER,PLASTIC, 1.5 X 2.85 X13.5 LG
13C	901024-7	2	BOLT HEX FRAME .5-13X2"LG
13D	901010	2	NUT, NYLON LOCK 1/2-13 ZC
13E	902000-14	2	WASHER, FLAT .500X.063 THK
14	288690-31	1	DUAL STEP ASSY, O/LGHT, LH, 14"RBR BMPR
14	288690-31G	1	DUAL STEP ASSY, O/LGHT, LH, 14"RBR BMPR, G
14A	288675-31	1	DUAL STEP WLDMT,W/OVL LGHT, LH
14A	288675-31G	1	DUAL STEP WLDMT,W/OVL LGHT, LH, G
14B	905344-02	1	BUMPER,RUBBER, BLK 2.5X3X14
14C	901024-9	2	BOLT HEX FRAME .5-13X2.75"LG
14D	901010	2	NUT, NYLON LOCK 1/2-13 ZC
14E	902000-14	2	WASHER, FLAT .500X.063 THK
14F	092036-10	2	RD MECH TUBE.625ODX.058WX1.44L
15	288690-32	1	DUAL STEP ASSY, O/LGHT, RH, 14"RBR BMPR
15	288690-32G	1	DUAL STEP ASSY, O/LGHT, RH, 14"RBR BMPR,G



## SPARE PARTS LIST

TE-15/20/25/30

Pos	CPN	Qty	Description
15A	288675-32	1	DUAL STEP WLDMT,W/OVL LGHT, RH
15A	288675-32G	1	DUAL STEP WLDMT,W/OVL LGHT, RH, G
15B	905344-02	1	BUMPER,RUBBER, BLK 2.5X3X14
15C	901024-9	2	BOLT HEX FRAME .5-13X2.75"LG
15D	901010	2	NUT, NYLON LOCK 1/2-13 ZC
15E	902000-14	2	WASHER, FLAT .500X.063 THK
15F	092036-10	2	RD MECH TUBE.625ODX.058WX1.44L
16	288690-33	1	DUAL STEP ASSY, O/LGHT, LH, 13.5"PE BMPR
16	288690-33G	1	DUAL STEP ASSY, O/LGHT, LH, 13.5"PE BMPR,G
16A	288675-31	1	DUAL STEP WLDMT,W/OVL LGHT, LH
16A	288675-31G	1	DUAL STEP WLDMT,W/OVL LGHT, LH, G
16B	905386-01	1	BUMPER,PLASTIC, 1.5 X 2.85 X13.5 LG
16C	901024-7	2	BOLT HEX FRAME .5-13X2"LG
16D	901010	2	NUT, NYLON LOCK 1/2-13 ZC
16E	902000-14	2	WASHER, FLAT .500X.063 THK
17	288690-34	1	DUAL STEP ASSY, O/LGHT, RH, 13.5"PE BMPR
17	288690-34G	1	DUAL STEP ASSY, O/LGHT, RH, 13.5"PE BMPR,G
17A	288675-32	1	DUAL STEP WLDMT,W/OVL LGHT, RH
17A	288675-32G	1	DUAL STEP WLDMT,W/OVL LGHT, RH, G
17B	905386-01	1	BUMPER,PLASTIC, 1.5 X 2.85 X13.5 LG
17C	901024-7	2	BOLT HEX FRAME .5-13X2"LG
17D	901010	2	NUT, NYLON LOCK 1/2-13 ZC
17E	902000-14	2	WASHER, FLAT .500X.063 THK
18	288690-05	1	DUAL NO STEP ASSY, LH, 14"RBR BMPR
18	288690-05G	1	DUAL NO STEP ASSY, LH, 14"RBR BMPR,G
18A	288675-03	1	CHANNEL WLDMT 29.5" LG, NO STEPS, LH
18A	288675-03G	1	CHANNEL WLDMT 29.5" LG, NO STEPS, LH, G
18B	905344-02	1	BUMPER,RUBBER, BLK 2.5X3X14
18C	901024-9	2	BOLT HEX FRAME .5-13X2.75"LG
18D	901010	2	NUT, NYLON LOCK 1/2-13 ZC
18E	902000-14	2	WASHER, FLAT .500X.063 THK

## SPARE PARTS LIST

TE-15/20/25/30

Pos	CPN	Qty	Description
18F	092036-10	2	RD MECH TUBE.625ODX.058WX1.44L
19	288690-06	1	DUAL NO STEP ASSY, LH, 13.5"PE BMPR
19	288690-06G	1	DUAL NO STEP ASSY, LH, 13.5"PE BMPR,G
19A	288675-03	1	CHANNEL WLDMT 29.5" LG, NO STEPS, LH
19A	288675-03G	1	CHANNEL WLDMT 29.5" LG, NO STEPS, LH, G
19B	905386-01	1	BUMPER,PLASTIC, 1.5 X 2.85 X13.5 LG
19C	901024-7	2	BOLT HEX FRAME .5-13X2"LG
19D	901010	2	NUT, NYLON LOCK 1/2-13 ZC
19E	902000-14	2	WASHER, FLAT .500X.063 THK
20	288690-35	1	DUAL NO STEP ASSY, O/LGHT, LH, 14"RBR BMPR
20	288690-35G	1	DUAL NO STEP ASSY,O/LGHT, LH, 14"RBR BMPR,G
20A	288675-33	1	CHNL WLDMT,W/OVL LGHT, NO STEPS, LH
20A	288675-33G	1	CHNL WLDMT,W/OVL LGHT, NO STEPS, LH, G
20B	905344-02	1	BUMPER,RUBBER, BLK 2.5X3X14
20C	901024-9	2	BOLT HEX FRAME .5-13X2.75"LG
20D	901010	2	NUT, NYLON LOCK 1/2-13 ZC
20E	902000-14	2	WASHER, FLAT .500X.063 THK
20F	092036-10	2	RD MECH TUBE.625ODX.058WX1.44L
21	288690-36	1	DUAL NO STEP ASSY, O/LGHT, LH, 13.5"PE BMPR
21	288690-36G	1	DUAL NO STEP ASSY,O/LGHT, LH, 13.5"PE BMPR,G
21A	288675-33	1	CHNL WLDMT,W/OVL LGHT, NO STEPS, LH
21A	288675-33G	1	CHNL WLDMT,W/OVL LGHT, NO STEPS, LH, G
21B	905386-01	1	BUMPER,PLASTIC, 1.5 X 2.85 X13.5 LG
21C	901024-7	2	BOLT HEX FRAME .5-13X2"LG
21D	901010	2	NUT, NYLON LOCK 1/2-13 ZC
21E	902000-14	2	WASHER, FLAT .500X.063 THK
22	901023	4	FLANGE LOCK NUT

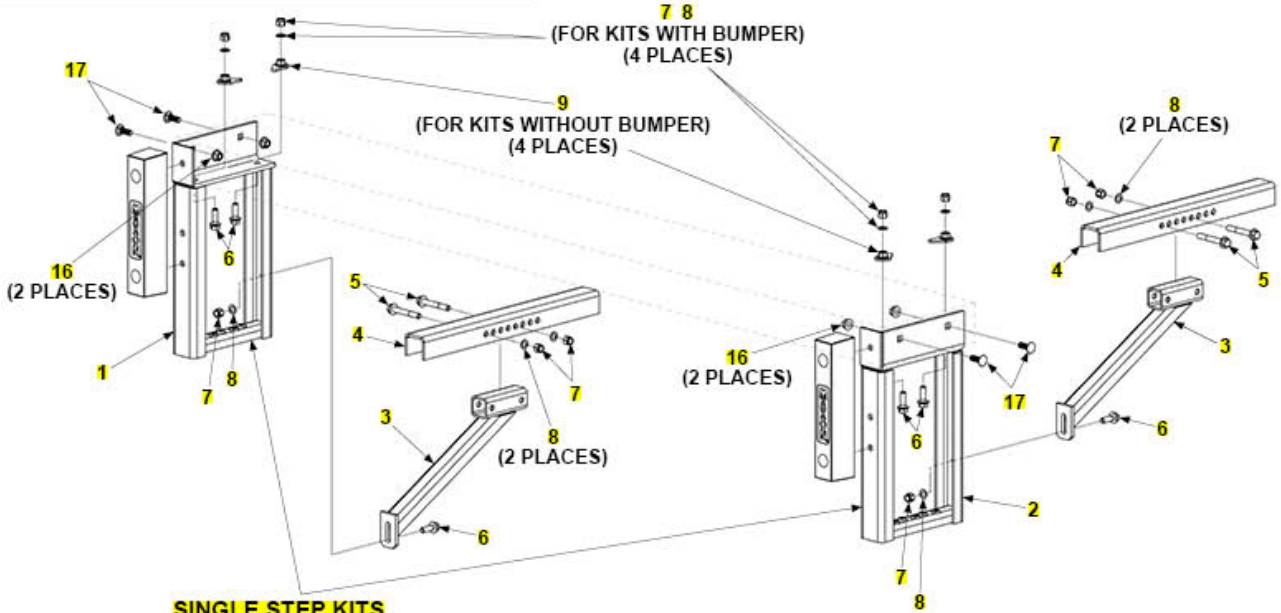
**SPARE PARTS LIST**

TE-15/20/25/30

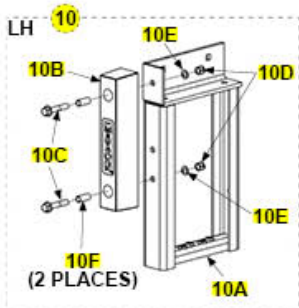
**SINGLE STEP KITS**

JAN 2018 to present

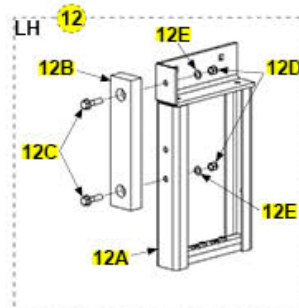
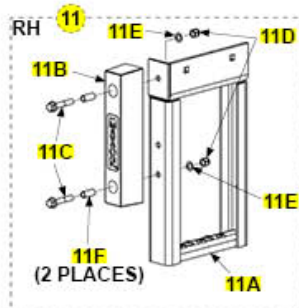
NOTE: Single step shown are only compatible with bolt-on extension plates.



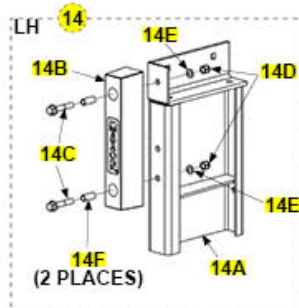
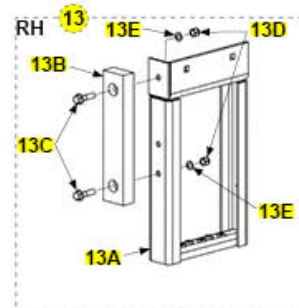
**SINGLE STEP KITS**



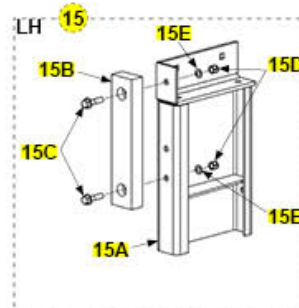
SINGLE STEP ASSEMBLY WITH RUBBER BUMPER



SINGLE STEP ASSEMBLY WITH PLASTIC BUMPER



SINGLE NO STEP ASSEMBLY WITH BUMPER



SPARE PARTS LIST

TE-15/20/25/30

Pos	CPN	Qty	Description
REF	288705-11	1	KIT, SNGL STEPS, 14" RBR BMPR
REF	288705-11G	1	KIT, SNGL STEPS, 14" RBR BMPR, G
REF	288705-12	1	KIT, SNGL STEPS, 13.5" PE BMPR
REF	288705-12G	1	KIT, SNGL STEPS, 13.5" PE BMPR, G
REF	288705-13	1	KIT, SNGL STEPS, SS NO/STPS, 14" RBR BMPRS
REF	288705-13G	1	KIT, SNGL STEPS, SS NO/STPS, 14" RBR BMPRS,G
REF	288705-14	1	KIT, SNGL STEPS, SS NO/STPS, 13.5" PE BMPRS
REF	288705-14G	1	KIT, SNGL STEPS, SS NO/STPS, 13.5" PE BMPRS,G
REF	288705-15	1	KIT, SNGL STEPS NO BMPRS
REF	288705-15G	1	KIT, SNGL STEPS NO BMPRS, G
REF	288705-16	1	KIT, SNGL STEPS, SS NO/STPS, NO BMPRS
REF	288705-16G	1	KIT, SNGL STEPS, SS NO/STPS, NO BMPRS,G
1	288675-11	1	SINGLE STEP WLDMT, LH
1	288675-11G	1	SINGLE STEP WLDMT, LH, G
1	288675-13	1	SINGLE STEP WLDMT, NO STEP, LH
1	288675-13G	1	SINGLE STEP WLDMT, NO STEP, LH, G
2	288675-12	1	SINGLE STEP WLDMT, RH
2	288675-12G	1	SINGLE STEP WLDMT, RH, G
3	288688-01	2	SUPPORT WLDMT, STEPS
3	288688-01G	2	SUPPORT WLDMT, STEPS, GAL
4	288419-01	2	CHANNEL, STEP MOUNT
5	901024-10	4	BOLT HEX FRAME .5-13X3.5"LG
6	901024-5	6	BOLT HEX FRAME .5-13X1.5"LG
7	901010	10	NUT, NYLON LOCK 1/2-13 ZC
8	902000-14	10	WASHER, FLAT .500X.063 THK
9	283700-01	4	TEAR DROP WLDMT
10	288690-11	1	SINGLE STEP ASSY, LH, 14" RBR BMPR
10	288690-11G	1	SINGLE STEP ASSY, LH, 14" RBR BMPR,G
10A	288675-11	1	SINGLE STEP WLDMT,LH
10A	288675-11G	1	SINGLE STEP WLDMT, LH, G
10B	905344-02	1	BUMPER,RUBBER, BLK 2.5X3X14

## SPARE PARTS LIST

TE-15/20/25/30

Pos	CPN	Qty	Description
10C	901024-9	2	BOLT HEX FRAME .5-13X2.75"LG
10D	901010	2	NUT, NYLON LOCK 1/2-13 ZC
10E	902000-14	2	WASHER, FLAT .500X.063 THK
10F	092036-10	2	RD MECH TUBE.625ODX.058WX1.44L
11	288690-12	1	SINGLE STEP ASSY, RH, 14" RBR BMPR
11	288690-12G	1	SINGLE STEP ASSY, RH, 14" RBR BMPR,G
11A	288675-12	1	SINGLE STEP WLDMT, RH
11A	288675-12G	1	SINGLE STEP WLDMT, RH, G
11B	905344-02	1	BUMPER,RUBBER, BLK 2.5X3X14
11C	901024-9	2	BOLT HEX FRAME .5-13X2.75"LG
11D	901010	2	NUT, NYLON LOCK 1/2-13 ZC
11E	902000-14	2	WASHER, FLAT .500X.063 THK
11F	092036-10	2	RD MECH TUBE.625ODX.058WX1.44L
12	288690-13	1	SINGLE STEP ASSY, LH, 13.5" PE BMPR
12	288690-13G	1	SINGLE STEP ASSY, LH, 13.5" PE BMPR,G
12A	288675-11	1	SINGLE STEP WLDMT,LH
12A	288675-11G	1	SINGLE STEP WLDMT, LH, G
12B	905386-01	1	BUMPER,PLASTIC, 1.5 X 2.85 X13.5 LG
12C	901024-7	2	BOLT HEX FRAME .5-13X2"LG
12D	901010	2	NUT, NYLON LOCK 1/2-13 ZC
12E	902000-14	2	WASHER, FLAT .500X.063 THK
13	288690-14	1	SINGLE STEP ASSY, RH, 13.5" PE BMPR
13	288690-14G	1	SINGLE STEP ASSY, RH, 13.5" PE BMPR,G
13A	288675-12	1	SINGLE STEP WLDMT, RH
13A	288675-12G	1	SINGLE STEP WLDMT, RH, G
13B	905386-01	1	BUMPER,PLASTIC, 1.5 X 2.85 X13.5 LG
13C	901024-7	2	BOLT HEX FRAME .5-13X2"LG
13D	901010	2	NUT, NYLON LOCK 1/2-13 ZC
13E	902000-14	2	WASHER, FLAT .500X.063 THK
14	288690-15	1	SINGLE NO STEP ASSY, LH, 14" RBR BMPR
14	288690-15G	1	SINGLE NO STEP ASSY, LH, 14" RBR BMPR,G
14A	288675-13	1	CHANNEL WLDMT 21" LG, NO STEPS, LH
14A	288675-13G	1	CHANNEL WLDMT 21" LG, NO STEPS, LH, G

**SPARE PARTS LIST****TE-15/20/25/30**

<b>Pos</b>	<b>CPN</b>	<b>Qty</b>	<b>Description</b>
14B	905344-02	1	BUMPER,RUBBER, BLK 2.5X3X14
14C	901024-9	2	BOLT HEX FRAME .5-13X2.75"LG
14D	901010	2	NUT, NYLON LOCK 1/2-13 ZC
14E	902000-14	2	WASHER, FLAT .500X.063 THK
14F	092036-10	2	RD MECH TUBE.625ODX.058WX1.44L
15	288690-16	1	SINGLE NO STEP ASSY, LH, 13.5" PE BMPR
15	288690-16G	1	SINGLE NO STEP ASSY, LH, 13.5" PE BMPR,G
15A	288675-13	1	CHANNEL WLDMT 21" LG, NO STEPS, LH
15A	288675-13G	1	CHANNEL WLDMT 21" LG, NO STEPS, LH, G
15B	905386-01	1	BUMPER,PLASTIC, 1.5 X 2.85 X13.5 LG
15C	901024-7	2	BOLT HEX FRAME .5-13X2"LG
15D	901010	2	NUT, NYLON LOCK 1/2-13 ZC
15E	902000-14	2	WASHER, FLAT .500X.063 THK
16	901023	4	FLANGE LOCK NUT
17	900820-01	4	CARRIAGE BOLT SQUARE NECK 1/2"-13

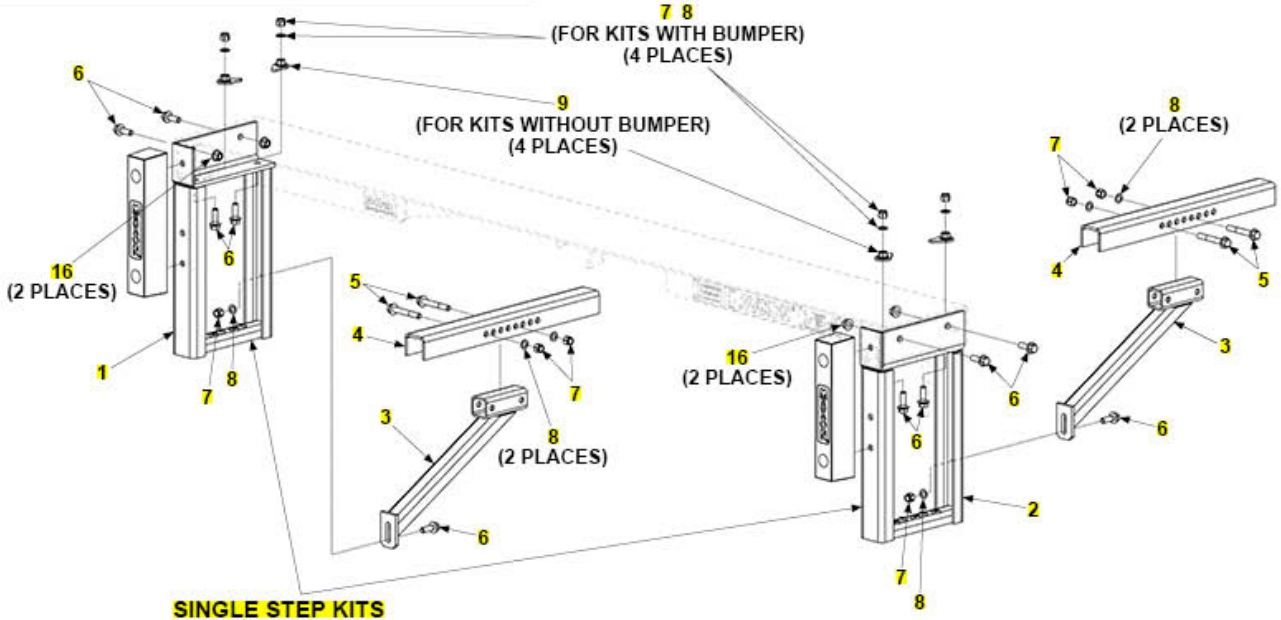
**SPARE PARTS LIST**

TE-15/20/25/30

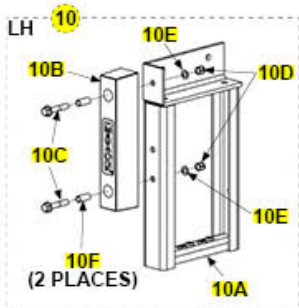
**SINGLE STEP KITS**

MAY 2017 to DEC 2017

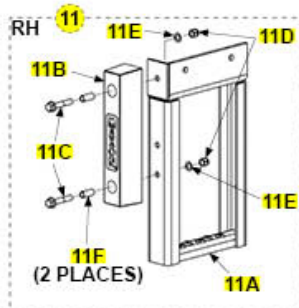
NOTE: Single step shown are only compatible with bolt-on extension plates.



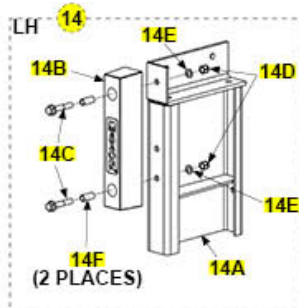
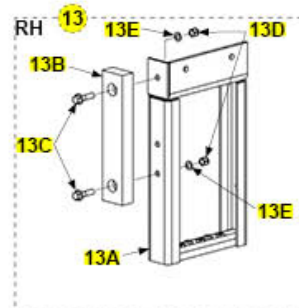
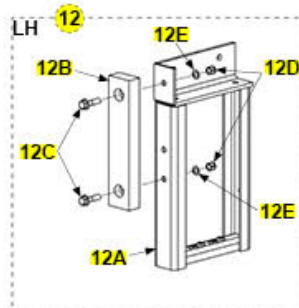
**SINGLE STEP KITS**



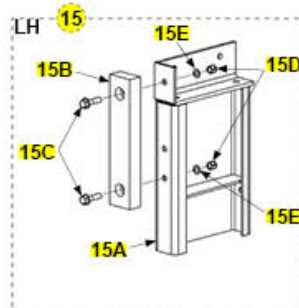
SINGLE STEP ASSEMBLY WITH RUBBER BUMPER



SINGLE STEP ASSEMBLY WITH PLASTIC BUMPER



SINGLE NO STEP ASSEMBLY WITH BUMPER



SPARE PARTS LIST

TE-15/20/25/30

Pos	CPN	Qty	Description
REF	288705-11	1	KIT, SNGL STEPS, 14" RBR BMPR
REF	288705-11G	1	KIT, SNGL STEPS, 14" RBR BMPR, G
REF	288705-12	1	KIT, SNGL STEPS, 13.5" PE BMPR
REF	288705-12G	1	KIT, SNGL STEPS, 13.5" PE BMPR, G
REF	288705-13	1	KIT, SNGL STEPS, SS NO/STPS, 14" RBR BMPRS
REF	288705-13G	1	KIT, SNGL STEPS, SS NO/STPS, 14" RBR BMPRS,G
REF	288705-14	1	KIT, SNGL STEPS, SS NO/STPS, 13.5" PE BMPRS
REF	288705-14G	1	KIT, SNGL STEPS, SS NO/STPS, 13.5" PE BMPRS,G
REF	288705-15	1	KIT, SNGL STEPS NO BMPRS
REF	288705-15G	1	KIT, SNGL STEPS NO BMPRS, G
REF	288705-16	1	KIT, SNGL STEPS, SS NO/STPS, NO BMPRS
REF	288705-16G	1	KIT, SNGL STEPS, SS NO/STPS, NO BMPRS,G
1	288675-11	1	SINGLE STEP WLDMT, LH
1	288675-11G	1	SINGLE STEP WLDMT, LH, G
1	288675-13	1	SINGLE STEP WLDMT, NO STEP, LH
1	288675-13G	1	SINGLE STEP WLDMT, NO STEP, LH, G
2	288675-12	1	SINGLE STEP WLDMT, RH
2	288675-12G	1	SINGLE STEP WLDMT, RH, G
3	288688-01	2	SUPPORT WLDMT, STEPS
3	288688-01G	2	SUPPORT WLDMT, STEPS, GAL
4	288419-01	2	CHANNEL, STEP MOUNT
5	901024-10	4	BOLT HEX FRAME .5-13X3.5"LG
6	901024-5	10	BOLT HEX FRAME .5-13X1.5"LG
7	901010	10	NUT, NYLON LOCK 1/2-13 ZC
8	902000-14	10	WASHER, FLAT .500X.063 THK
9	283700-01	4	TEAR DROP WLDMT
10	288690-11	1	SINGLE STEP ASSY, LH, 14" RBR BMPR
10	288690-11G	1	SINGLE STEP ASSY, LH, 14" RBR BMPR,G
10A	288675-11	1	SINGLE STEP WLDMT,LH
10A	288675-11G	1	SINGLE STEP WLDMT, LH, G
10B	905344-02	1	BUMPER,RUBBER, BLK 2.5X3X14



## SPARE PARTS LIST

TE-15/20/25/30

Pos	CPN	Qty	Description
10C	901024-9	2	BOLT HEX FRAME .5-13X2.75"LG
10D	901010	2	NUT, NYLON LOCK 1/2-13 ZC
10E	902000-14	2	WASHER, FLAT .500X.063 THK
10F	092036-10	2	RD MECH TUBE.625ODX.058WX1.44L
11	288690-12	1	SINGLE STEP ASSY, RH, 14" RBR BMPR
11	288690-12G	1	SINGLE STEP ASSY, RH, 14" RBR BMPR,G
11A	288675-12	1	SINGLE STEP WLDMT, RH
11A	288675-12G	1	SINGLE STEP WLDMT, RH, G
11B	905344-02	1	BUMPER,RUBBER, BLK 2.5X3X14
11C	901024-9	2	BOLT HEX FRAME .5-13X2.75"LG
11D	901010	2	NUT, NYLON LOCK 1/2-13 ZC
11E	902000-14	2	WASHER, FLAT .500X.063 THK
11F	092036-10	2	RD MECH TUBE.625ODX.058WX1.44L
12	288690-13	1	SINGLE STEP ASSY, LH, 13.5" PE BMPR
12	288690-13G	1	SINGLE STEP ASSY, LH, 13.5" PE BMPR,G
12A	288675-11	1	SINGLE STEP WLDMT,LH
12A	288675-11G	1	SINGLE STEP WLDMT, LH, G
12B	905386-01	1	BUMPER,PLASTIC, 1.5 X 2.85 X13.5 LG
12C	901024-7	2	BOLT HEX FRAME .5-13X2"LG
12D	901010	2	NUT, NYLON LOCK 1/2-13 ZC
12E	902000-14	2	WASHER, FLAT .500X.063 THK
13	288690-14	1	SINGLE STEP ASSY, RH, 13.5" PE BMPR
13	288690-14G	1	SINGLE STEP ASSY, RH, 13.5" PE BMPR,G
13A	288675-12	1	SINGLE STEP WLDMT, RH
13A	288675-12G	1	SINGLE STEP WLDMT, RH, G
13B	905386-01	1	BUMPER,PLASTIC, 1.5 X 2.85 X13.5 LG
13C	901024-7	2	BOLT HEX FRAME .5-13X2"LG
13D	901010	2	NUT, NYLON LOCK 1/2-13 ZC
13E	902000-14	2	WASHER, FLAT .500X.063 THK
14	288690-15	1	SINGLE NO STEP ASSY, LH, 14" RBR BMPR
14	288690-15G	1	SINGLE NO STEP ASSY, LH, 14" RBR BMPR,G
14A	288675-13	1	CHANNEL WLDMT 21" LG, NO STEPS, LH
14A	288675-13G	1	CHANNEL WLDMT 21" LG, NO STEPS, LH, G

**SPARE PARTS LIST****TE-15/20/25/30**

<b>Pos</b>	<b>CPN</b>	<b>Qty</b>	<b>Description</b>
14B	905344-02	1	BUMPER,RUBBER, BLK 2.5X3X14
14C	901024-9	2	BOLT HEX FRAME .5-13X2.75"LG
14D	901010	2	NUT, NYLON LOCK 1/2-13 ZC
14E	902000-14	2	WASHER, FLAT .500X.063 THK
14F	092036-10	2	RD MECH TUBE.625ODX.058WX1.44L
15	288690-16	1	SINGLE NO STEP ASSY, LH, 13.5" PE BMPR
15	288690-16G	1	SINGLE NO STEP ASSY, LH, 13.5" PE BMPR,G
15A	288675-13	1	CHANNEL WLDMT 21" LG, NO STEPS, LH
15A	288675-13G	1	CHANNEL WLDMT 21" LG, NO STEPS, LH, G
15B	905386-01	1	BUMPER,PLASTIC, 1.5 X 2.85 X13.5 LG
15C	901024-7	2	BOLT HEX FRAME .5-13X2"LG
15D	901010	2	NUT, NYLON LOCK 1/2-13 ZC
15E	902000-14	2	WASHER, FLAT .500X.063 THK
16	901023	4	FLANGE LOCK NUT

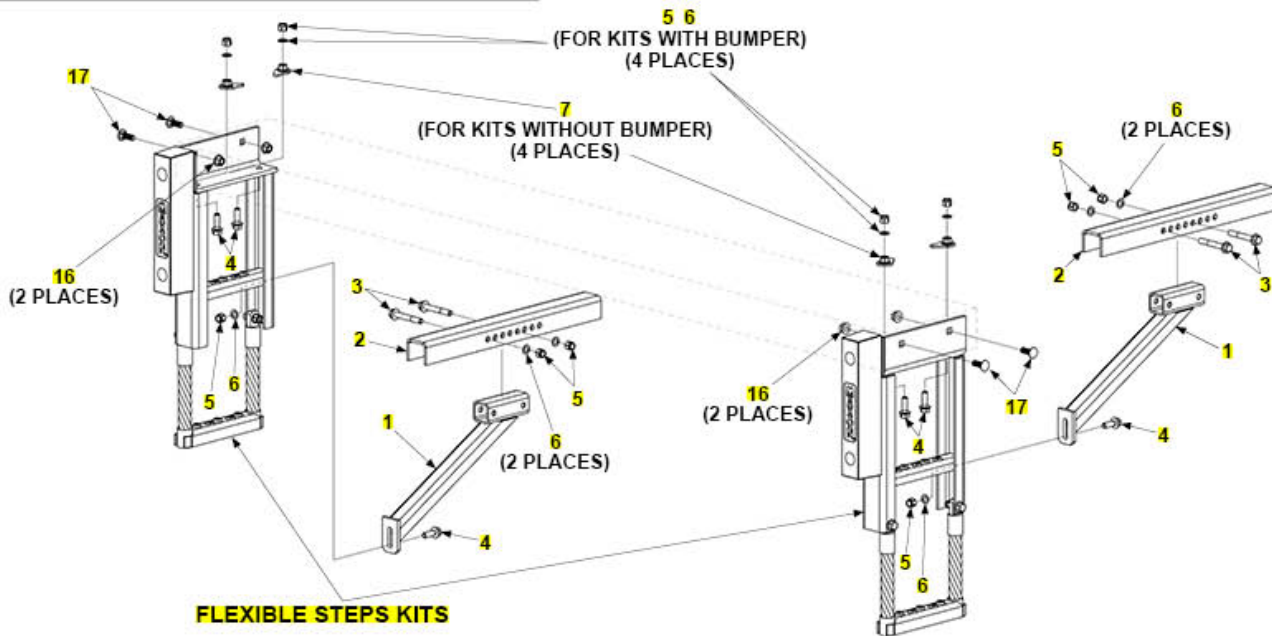
**SPARE PARTS LIST**

TE-15/20/25/30

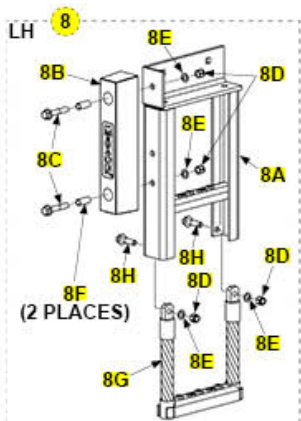
**FLEXIBLE STEPS KITS**

JAN 2018 to present

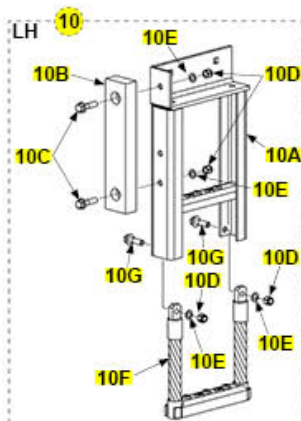
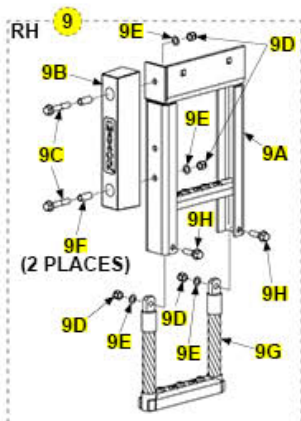
NOTE: Dual steps shown are only compatible with bolt-on extension plates.



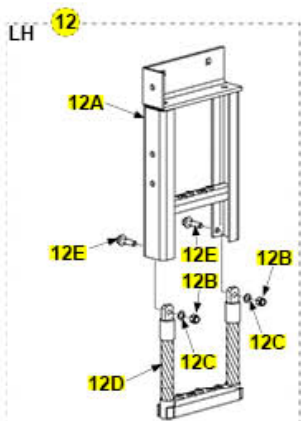
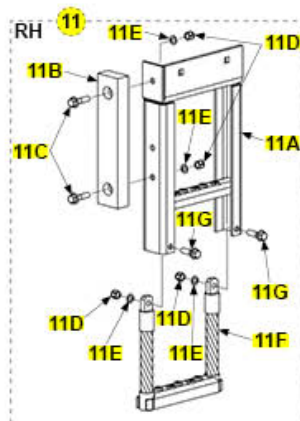
**FLEXIBLE STEPS KITS**



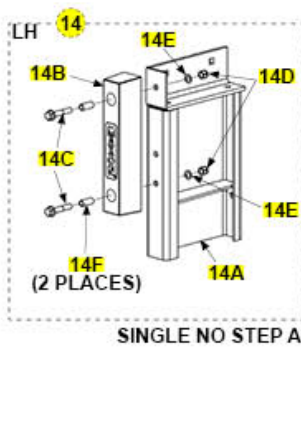
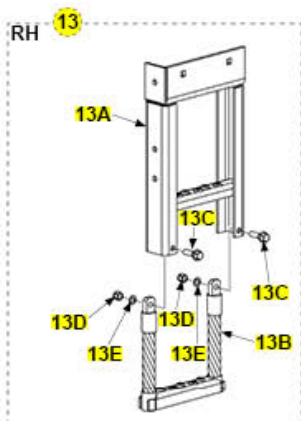
FLEXIBLE STEP ASSEMBLY WITH RUBBER BUMPER



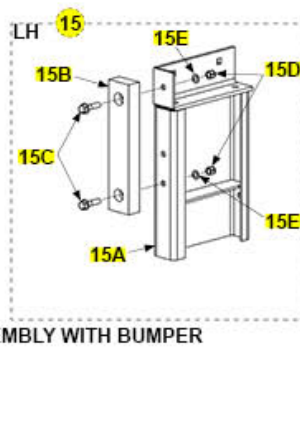
FLEXIBLE STEP ASSEMBLY WITH PLASTIC BUMPER



FLEXIBLE STEP ASSEMBLY WITH NO RUBBER BUMPER



SINGLE NO STEP ASSEMBLY WITH BUMPER



**SPARE PARTS LIST**

TE-15/20/25/30

Pos	CPN	Qty	Description
REF	288705-21	1	KIT, DUAL FLX STEPS, 14" RBR BMPR
REF	288705-21G	1	KIT, DUAL FLX STEPS, 14" RBR BMPR, G
REF	288705-22	1	KIT, DUAL FLX STEPS, 13.5" PE BMPR
REF	288705-22G	1	KIT, DUAL FLX STEPS, 13.5" PE BMPR, G
REF	288705-23	1	KIT, DUAL FLX STEPS, SS NO/STPS, 14" RBR BMPRS
REF	288705-23G	1	KIT, DUAL FLX STEPS, SS NO/STPS, 14" RBR BMPRS,G
REF	288705-24	1	KIT, DUAL FLX STEPS, SS NO/STPS, 13.5" PE BMPRS
REF	288705-24G	1	KIT, DUAL FLX STEPS, SS NO/STPS, 13.5" PE BMPRS,G
REF	288705-25	1	KIT, DUAL FLX STEPS NO BMPRS
REF	288705-25G	1	KIT, DUAL FLX STEPS NO BMPRS, G
REF	288705-26	1	KIT, DUAL FLX STEPS, SS NO/STPS, NO BMPRS
REF	288705-26G	1	KIT, DUAL FLX STEPS, SS NO/STPS, NO BMPRS,G
1	288688-01	2	SUPPORT WLDMT, STEPS
1	288688-01G	2	SUPPORT WLDMT, STEPS, GAL
2	288419-01	2	CHANNEL, STEP MOUNT
3	901024-10	4	BOLT HEX FRAME .5-13X3.5"LG
4	901024-5	6	BOLT HEX FRAME .5-13X1.5"LG
5	901010	10	NUT, NYLON LOCK 1/2-13 ZC
6	902000-14	10	WASHER, FLAT .500X.063 THK
7	283700-01	4	TEAR DROP WLDMT
8	288690-21	1	DUAL STEP ASSY, FLEX, LH, 14"RBR BMPR
8	288690-21G	1	DUAL STEP ASSY, FLEX, LH, 14"RBR BMPR,G
8A	288675-21	1	DUAL STEP WLDMT, FLEX, LH
8A	288675-21G	1	DUAL STEP WLDMT, FLEX, LH, G
8B	905344-02	1	BUMPER,RUBBER, BLK 2.5X3X14
8C	901024-9	2	BOLT HEX FRAME .5-13X2.75"LG
8D	901010	4	NUT, NYLON LOCK 1/2-13 ZC
8E	902000-14	4	WASHER, FLAT .500X.063 THK
8F	092036-10	2	RD MECH TUBE.625ODX.058WX1.44L

## SPARE PARTS LIST

TE-15/20/25/30

Pos	CPN	Qty	Description
8G	288680-01	1	STEP WLDMT, FLEXIBLE, LOWER
8H	901024-2	2	BOLT HEX FRAME .5-13X1.75"LG
9	288690-22	1	DUAL STEP ASSY, FLEX, RH, 14"RBR BMPR
9	288690-22G	1	DUAL STEP ASSY, FLEX, RH, 14"RBR BMPR,G
9A	288675-22	1	DUAL STEP WLDMT, FLEX, RH
9A	288675-22G	1	DUAL STEP WLDMT, FLEX, RH, G
9B	905344-02	1	BUMPER,RUBBER, BLK 2.5X3X14
9C	901024-9	2	BOLT HEX FRAME .5-13X2.75"LG
9D	901010	4	NUT, NYLON LOCK 1/2-13 ZC
9E	902000-14	4	WASHER, FLAT .500X.063 THK
9F	092036-10	2	RD MECH TUBE.625ODX.058WX1.44L
9G	288680-01	1	STEP WLDMT, FLEXIBLE, LOWER
9H	901024-2	2	BOLT HEX FRAME .5-13X1.75"LG
10	288690-23	1	DUAL STEP ASSY, FLEX, LH, 13.5"PE BMPR
10	288690-23G	1	DUAL STEP ASSY, FLEX, LH, 13.5"PE BMPR,G
10A	288675-21	1	DUAL STEP WLDMT, FLEX, LH
10A	288675-21G	1	DUAL STEP WLDMT, FLEX, LH, G
10B	905386-01	1	BUMPER,PLASTIC, 1.5 X 2.85 X13.5 LG
10C	901024-7	2	BOLT HEX FRAME .5-13X2"LG
10D	901010	4	NUT, NYLON LOCK 1/2-13 ZC
10E	902000-14	4	WASHER, FLAT .500X.063 THK
10F	288680-01	1	STEP WLDMT, FLEXIBLE, LOWER
10G	901024-2	2	BOLT HEX FRAME .5-13X1.75"LG
11	288690-24	1	DUAL STEP ASSY, FLEX, RH, 13.5"PE BMPR
11	288690-24G	1	DUAL STEP ASSY, FLEX, RH, 13.5"PE BMPR,G
11A	288675-22	1	DUAL STEP WLDMT, FLEX, RH
11A	288675-22G	1	DUAL STEP WLDMT, FLEX, RH, G
11B	905386-01	1	BUMPER,PLASTIC, 1.5 X 2.85 X13.5 LG
11C	901024-7	2	BOLT HEX FRAME .5-13X2"LG
11D	901010	4	NUT, NYLON LOCK 1/2-13 ZC
11E	902000-14	4	WASHER, FLAT .500X.063 THK
11F	288680-01	1	STEP WLDMT, FLEXIBLE, LOWER

## SPARE PARTS LIST

TE-15/20/25/30

Pos	CPN	Qty	Description
11G	901024-2	2	BOLT HEX FRAME .5-13X1.75"LG
12	288690-27	1	DUAL STEP ASSY, FLEX,LH, NO BMPR
12	288690-27G	1	DUAL STEP ASSY, FLEX,LH, NO BMPR, G
12A	288675-21	1	DUAL STEP WLDMT, FLEX, LH
12A	288675-21G	1	DUAL STEP WLDMT, FLEX, LH, G
12B	901010	2	NUT, NYLON LOCK 1/2-13 ZC
12C	902000-14	2	WASHER, FLAT .500X.063 THK
12D	288680-01	1	STEP WLDMT, FLEXIBLE, LOWER
12E	901024-2	2	BOLT HEX FRAME .5-13X1.75"LG
13	288690-28	1	DUAL STEP ASSY, FLEX,RH, NO BMPR
13	288690-28G	1	DUAL STEP ASSY, FLEX,RH, NO BMPR, G
13A	288675-22	1	DUAL STEP WLDMT, FLEX, RH
13A	288675-22G	1	DUAL STEP WLDMT, FLEX, RH, G
13B	288680-01	1	STEP WLDMT, FLEXIBLE, LOWER
13C	901024-2	2	BOLT HEX FRAME .5-13X1.75"LG
13D	901010	4	NUT, NYLON LOCK 1/2-13 ZC
13E	902000-14	4	WASHER, FLAT .500X.063 THK
14	288690-15	1	SINGLE NO STEP ASSY, LH, 14" RBR BMPR
14	288690-15G	1	SINGLE NO STEP ASSY, LH, 14" RBR BMPR,G
14A	288675-13	1	CHANNEL WLDMT 21" LG, NO STEPS, LH
14A	288675-13G	1	CHANNEL WLDMT 21" LG, NO STEPS, LH, G
14B	905344-02	1	BUMPER,RUBBER, BLK 2.5X3X14
14C	901024-9	2	BOLT HEX FRAME .5-13X2.75"LG
14D	901010	2	NUT, NYLON LOCK 1/2-13 ZC
14E	902000-14	2	WASHER, FLAT .500X.063 THK
14F	092036-10	2	RD MECH TUBE.625ODX.058WX1.44L
15	288690-16	1	SINGLE NO STEP ASSY, LH, 13.5" PE BMPR
15	288690-16G	1	SINGLE NO STEP ASSY, LH, 13.5" PE BMPR,G
15A	288675-13	1	CHANNEL WLDMT 21" LG, NO STEPS, LH
15A	288675-13G	1	CHANNEL WLDMT 21" LG, NO STEPS, LH, G
15B	905386-01	1	BUMPER,PLASTIC, 1.5 X 2.85 X13.5 LG
15C	901024-7	2	BOLT HEX FRAME .5-13X2"LG
15D	901010	2	NUT, NYLON LOCK 1/2-13 ZC



03/18/2021

Page

31

of

122

*Spare Parts*

**SPARE PARTS LIST**

**TE-15/20/25/30**

<b>Pos</b>	<b>CPN</b>	<b>Qty</b>	<b>Description</b>
15E	902000-14	2	WASHER, FLAT .500X.063 THK
16	901023	4	FLANGE LOCK NUT
17	900820-01	4	CARRIAGE BOLT SQUARE NECK 1/2"-13

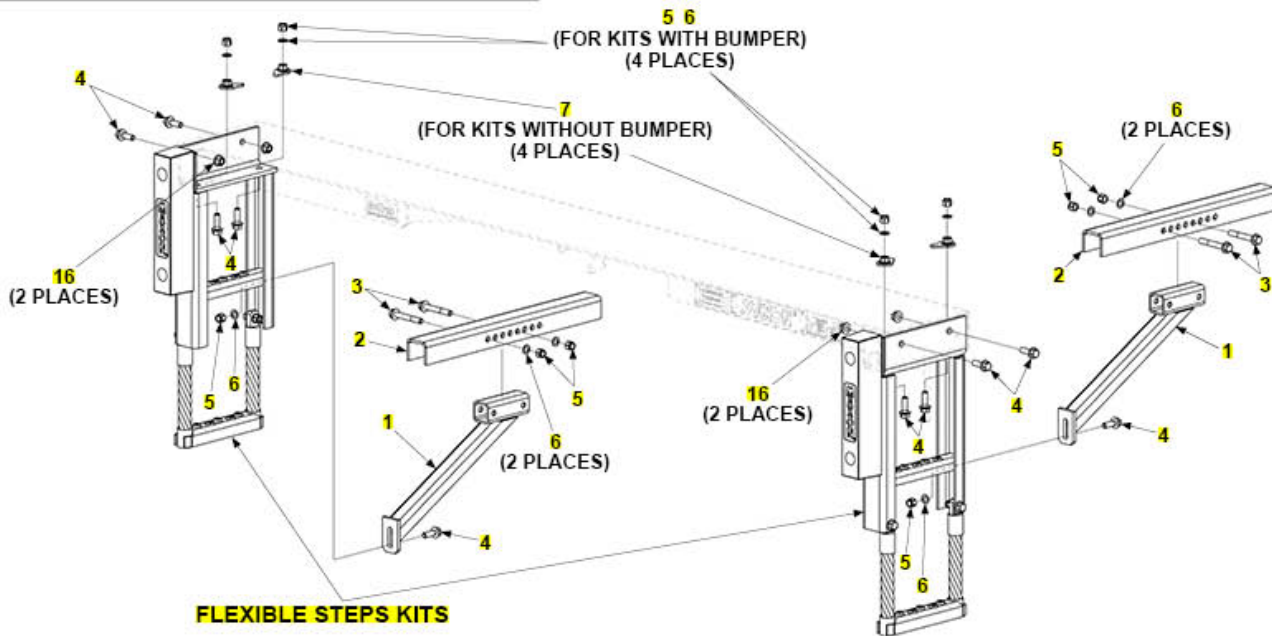
**SPARE PARTS LIST**

TE-15/20/25/30

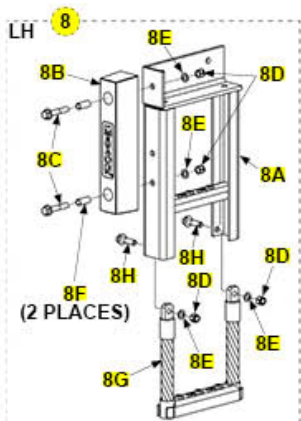
**FLEXIBLE STEPS KITS**

MAY 2017 to DEC 2017

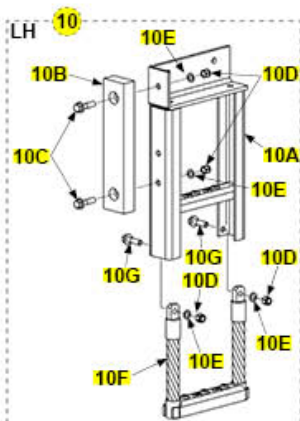
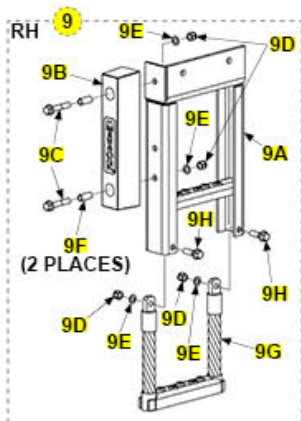
NOTE: Dual steps shown are only compatible with bolt-on extension plates.



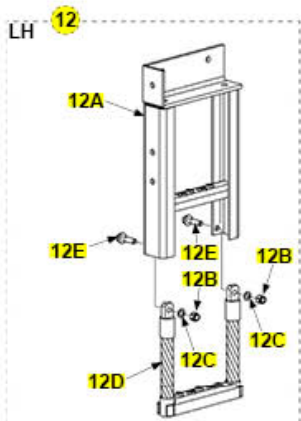
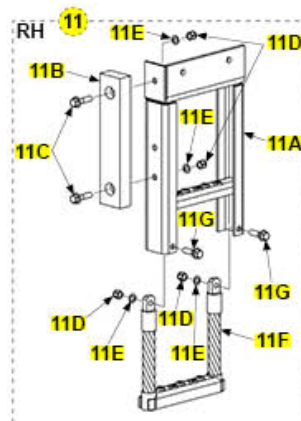
**FLEXIBLE STEPS KITS**



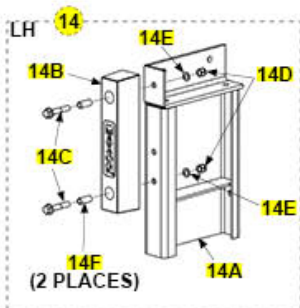
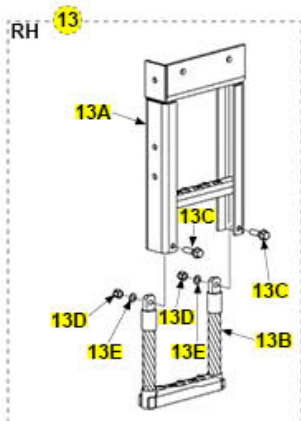
FLEXIBLE STEP ASSEMBLY WITH RUBBER BUMPER



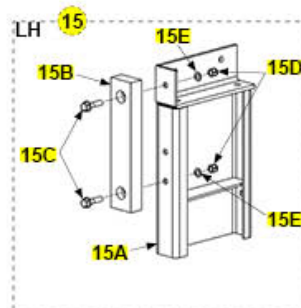
FLEXIBLE STEP ASSEMBLY WITH PLASTIC BUMPER



FLEXIBLE STEP ASSEMBLY WITH NO RUBBER BUMPER



SINGLE NO STEP ASSEMBLY WITH BUMPER





## SPARE PARTS LIST

TE-15/20/25/30

Pos	CPN	Qty	Description
REF	288705-21	1	KIT, DUAL FLX STEPS, 14" RBR BMPR
REF	288705-21G	1	KIT, DUAL FLX STEPS, 14" RBR BMPR, G
REF	288705-22	1	KIT, DUAL FLX STEPS, 13.5" PE BMPR
REF	288705-22G	1	KIT, DUAL FLX STEPS, 13.5" PE BMPR, G
REF	288705-23	1	KIT, DUAL FLX STEPS, SS NO/STPS, 14" RBR BMPRS
REF	288705-23G	1	KIT, DUAL FLX STEPS, SS NO/STPS, 14" RBR BMPRS,G
REF	288705-24	1	KIT, DUAL FLX STEPS, SS NO/STPS, 13.5" PE BMPRS
REF	288705-24G	1	KIT, DUAL FLX STEPS, SS NO/STPS, 13.5" PE BMPRS,G
REF	288705-25	1	KIT, DUAL FLX STEPS NO BMPRS
REF	288705-25G	1	KIT, DUAL FLX STEPS NO BMPRS, G
REF	288705-26	1	KIT, DUAL FLX STEPS, SS NO/STPS, NO BMPRS
REF	288705-26G	1	KIT, DUAL FLX STEPS, SS NO/STPS, NO BMPRS,G
1	288688-01	2	SUPPORT WLDMT, STEPS
1	288688-01G	2	SUPPORT WLDMT, STEPS, GAL
2	288419-01	2	CHANNEL, STEP MOUNT
3	901024-10	4	BOLT HEX FRAME .5-13X3.5"LG
4	901024-5	10	BOLT HEX FRAME .5-13X1.5"LG
5	901010	10	NUT, NYLON LOCK 1/2-13 ZC
6	902000-14	10	WASHER, FLAT .500X.063 THK
7	283700-01	4	TEAR DROP WLDMT
8	288690-21	1	DUAL STEP ASSY, FLEX, LH, 14"RBR BMPR
8	288690-21G	1	DUAL STEP ASSY, FLEX, LH, 14"RBR BMPR,G
8A	288675-21	1	DUAL STEP WLDMT, FLEX, LH
8A	288675-21G	1	DUAL STEP WLDMT, FLEX, LH, G
8B	905344-02	1	BUMPER,RUBBER, BLK 2.5X3X14
8C	901024-9	2	BOLT HEX FRAME .5-13X2.75"LG
8D	901010	4	NUT, NYLON LOCK 1/2-13 ZC
8E	902000-14	4	WASHER, FLAT .500X.063 THK
8F	092036-10	2	RD MECH TUBE.625ODX.058WX1.44L

## SPARE PARTS LIST

TE-15/20/25/30

Pos	CPN	Qty	Description
8G	288680-01	1	STEP WLDMT, FLEXIBLE, LOWER
8H	901024-2	2	BOLT HEX FRAME .5-13X1.75"LG
9	288690-22	1	DUAL STEP ASSY, FLEX, RH, 14"RBR BMPR
9	288690-22G	1	DUAL STEP ASSY, FLEX, RH, 14"RBR BMPR,G
9A	288675-22	1	DUAL STEP WLDMT, FLEX, RH
9A	288675-22G	1	DUAL STEP WLDMT, FLEX, RH, G
9B	905344-02	1	BUMPER,RUBBER, BLK 2.5X3X14
9C	901024-9	2	BOLT HEX FRAME .5-13X2.75"LG
9D	901010	4	NUT, NYLON LOCK 1/2-13 ZC
9E	902000-14	4	WASHER, FLAT .500X.063 THK
9F	092036-10	2	RD MECH TUBE.625ODX.058WX1.44L
9G	288680-01	1	STEP WLDMT, FLEXIBLE, LOWER
9H	901024-2	2	BOLT HEX FRAME .5-13X1.75"LG
10	288690-23	1	DUAL STEP ASSY, FLEX, LH, 13.5"PE BMPR
10	288690-23G	1	DUAL STEP ASSY, FLEX, LH, 13.5"PE BMPR,G
10A	288675-21	1	DUAL STEP WLDMT, FLEX, LH
10A	288675-21G	1	DUAL STEP WLDMT, FLEX, LH, G
10B	905386-01	1	BUMPER,PLASTIC, 1.5 X 2.85 X13.5 LG
10C	901024-7	2	BOLT HEX FRAME .5-13X2"LG
10D	901010	4	NUT, NYLON LOCK 1/2-13 ZC
10E	902000-14	4	WASHER, FLAT .500X.063 THK
10F	288680-01	1	STEP WLDMT, FLEXIBLE, LOWER
10G	901024-2	2	BOLT HEX FRAME .5-13X1.75"LG
11	288690-24	1	DUAL STEP ASSY, FLEX, RH, 13.5"PE BMPR
11	288690-24G	1	DUAL STEP ASSY, FLEX, RH, 13.5"PE BMPR,G
11A	288675-22	1	DUAL STEP WLDMT, FLEX, RH
11A	288675-22G	1	DUAL STEP WLDMT, FLEX, RH, G
11B	905386-01	1	BUMPER,PLASTIC, 1.5 X 2.85 X13.5 LG
11C	901024-7	2	BOLT HEX FRAME .5-13X2"LG
11D	901010	4	NUT, NYLON LOCK 1/2-13 ZC
11E	902000-14	4	WASHER, FLAT .500X.063 THK
11F	288680-01	1	STEP WLDMT, FLEXIBLE, LOWER

## SPARE PARTS LIST

TE-15/20/25/30

Pos	CPN	Qty	Description
11G	901024-2	2	BOLT HEX FRAME .5-13X1.75"LG
12	288690-27	1	DUAL STEP ASSY, FLEX,LH, NO BMPR
12	288690-27G	1	DUAL STEP ASSY, FLEX,LH, NO BMPR, G
12A	288675-21	1	DUAL STEP WLDMT, FLEX, LH
12A	288675-21G	1	DUAL STEP WLDMT, FLEX, LH, G
12B	901010	2	NUT, NYLON LOCK 1/2-13 ZC
12C	902000-14	2	WASHER, FLAT .500X.063 THK
12D	288680-01	1	STEP WLDMT, FLEXIBLE, LOWER
12E	901024-2	2	BOLT HEX FRAME .5-13X1.75"LG
13	288690-28	1	DUAL STEP ASSY, FLEX,RH, NO BMPR
13	288690-28G	1	DUAL STEP ASSY, FLEX,RH, NO BMPR, G
13A	288675-22	1	DUAL STEP WLDMT, FLEX, RH
13A	288675-22G	1	DUAL STEP WLDMT, FLEX, RH, G
13B	288680-01	1	STEP WLDMT, FLEXIBLE, LOWER
13C	901024-2	2	BOLT HEX FRAME .5-13X1.75"LG
13D	901010	4	NUT, NYLON LOCK 1/2-13 ZC
13E	902000-14	4	WASHER, FLAT .500X.063 THK
14	288690-15	1	SINGLE NO STEP ASSY, LH, 14" RBR BMPR
14	288690-15G	1	SINGLE NO STEP ASSY, LH, 14" RBR BMPR,G
14A	288675-13	1	CHANNEL WLDMT 21" LG, NO STEPS, LH
14A	288675-13G	1	CHANNEL WLDMT 21" LG, NO STEPS, LH, G
14B	905344-02	1	BUMPER,RUBBER, BLK 2.5X3X14
14C	901024-9	2	BOLT HEX FRAME .5-13X2.75"LG
14D	901010	2	NUT, NYLON LOCK 1/2-13 ZC
14E	902000-14	2	WASHER, FLAT .500X.063 THK
14F	092036-10	2	RD MECH TUBE.625ODX.058WX1.44L
15	288690-16	1	SINGLE NO STEP ASSY, LH, 13.5" PE BMPR
15	288690-16G	1	SINGLE NO STEP ASSY, LH, 13.5" PE BMPR,G
15A	288675-13	1	CHANNEL WLDMT 21" LG, NO STEPS, LH
15A	288675-13G	1	CHANNEL WLDMT 21" LG, NO STEPS, LH, G
15B	905386-01	1	BUMPER,PLASTIC, 1.5 X 2.85 X13.5 LG
15C	901024-7	2	BOLT HEX FRAME .5-13X2"LG
15D	901010	2	NUT, NYLON LOCK 1/2-13 ZC



03/18/2021

Page

36

of

122

*Spare Parts*

**SPARE PARTS LIST**

**TE-15/20/25/30**

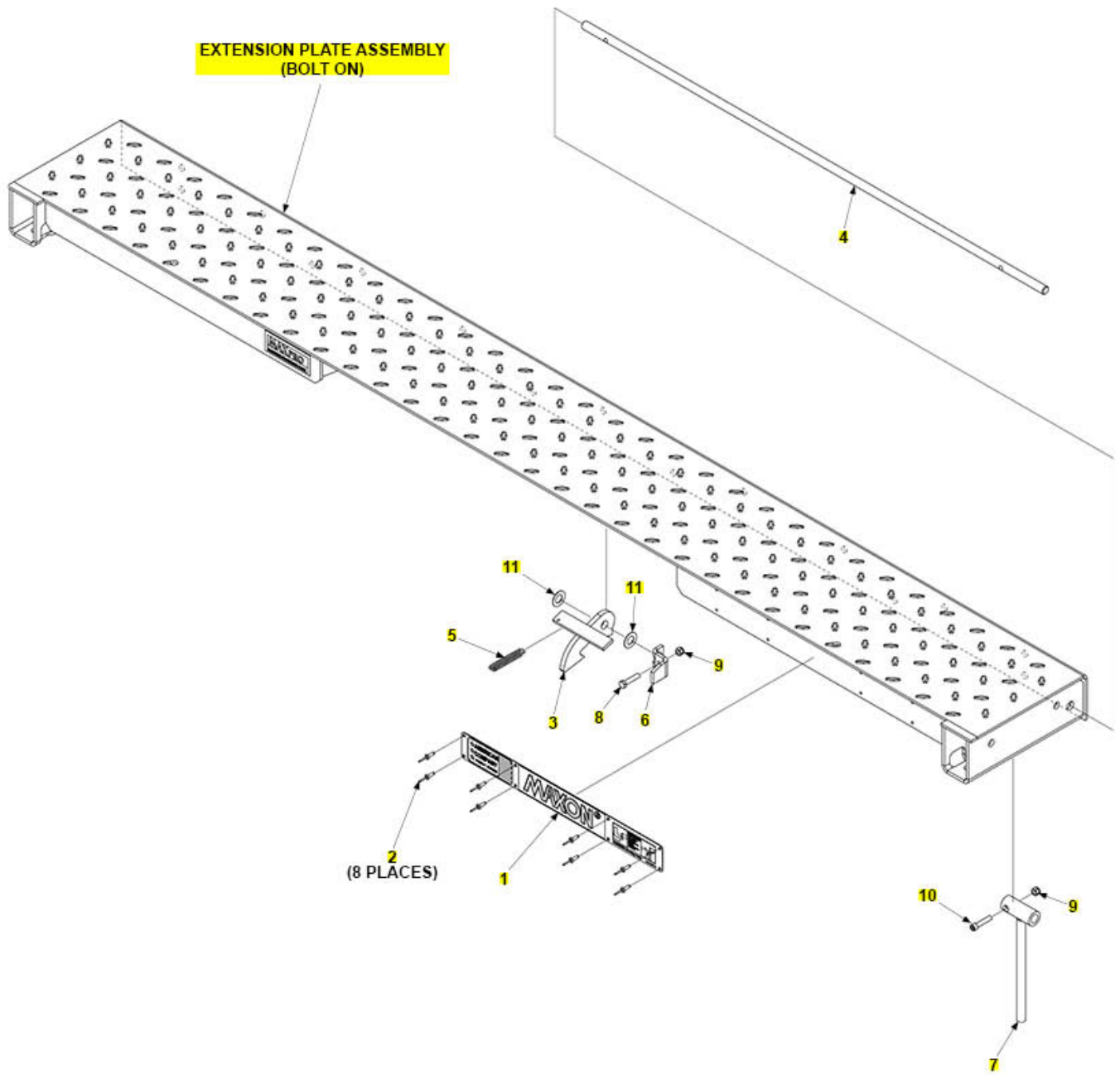
<b>Pos</b>	<b>CPN</b>	<b>Qty</b>	<b>Description</b>
15E	902000-14	2	WASHER, FLAT .500X.063 THK
16	901023	4	FLANGE LOCK NUT

SPARE PARTS LIST

TE-15/20/25/30

EXTENSION PLATE ASSEMBLY (BOLT ON)

MAY 2017 to DEC 2020



**SPARE PARTS LIST****TE-15/20/25/30**

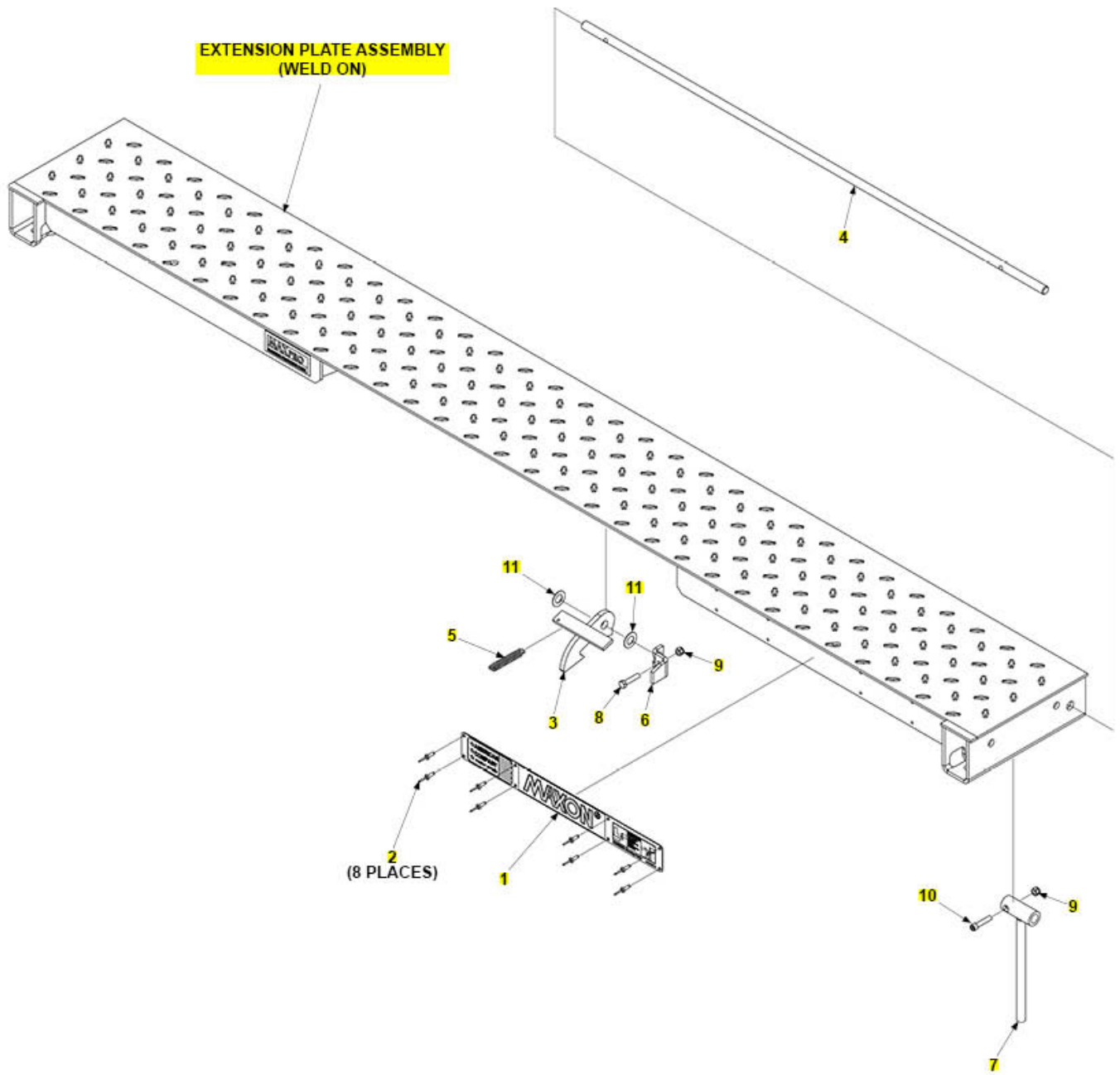
<b>Pos</b>	<b>CPN</b>	<b>Qty</b>	<b>Description</b>
REF	297260-01	1	EXT PL ASSY,STD TUKS,96",BOLT ON
REF	297260-01G	1	EXT PL ASSY,STD TUKS,96",BOLT ON,G
REF	297260-02	1	EXT PL ASSY,STD TUKS,102",BOLT ON
REF	297260-02G	1	EXT PL ASSY,STD TUKS,102",BOLT ON,G
1	280004-01	1	PLATE, MAXON NAME & DECALS
2	904005-2	8	RIVET,BLIND SSTL DOME.187X.565
3	298168-01	1	SAFETY HOOK WLDM'T
4	297256-01	1	BAR,HOOK RELEASE,46" LG
4	297256-02	1	BAR,HOOK RELEASE,49" LG
5	215345	1	SPRING, EXTENTION, .093 X 2.50
6	297768-01	1	BRKT LEVER
7	297769-01	1	HANDLE WLDM'T
8	900009-6	1	SCREW, CAP .31-18X1.5 G8 ZC
9	901001	2	NUT,NYLON 5/16-18 ZINC
10	900726-08	1	SCREW, SOC HD CAP, .312 X 1.5
11	902000-17	2	WASHER, FLAT .625 .032 THK

SPARE PARTS LIST

TE-15/20/25/30

EXTENSION PLATE ASSEMBLY (WELD ON)

MAY 2017 to DEC 2020



**SPARE PARTS LIST****TE-15/20/25/30**

<b>Pos</b>	<b>CPN</b>	<b>Qty</b>	<b>Description</b>
REF	297264-01	1	EXT PL ASSY,STD TUKS,96",WELD ON
REF	297264-02	1	EXT PL ASSY,STD TUKS,102",WELD ON
1	280004-01	1	PLATE, MAXON NAME & DECALS
2	904005-2	8	RIVET,BLIND SSTL DOME.187X.565
3	298168-01	1	SAFETY HOOK WLDM'T
4	297256-01	1	BAR,HOOK RELEASE,46" LG
4	297256-02	1	BAR,HOOK RELEASE,49" LG
5	215345	1	SPRING, EXTENTION, .093 X 2.50
6	297768-01	1	BRKT LEVER
7	297769-01	1	HANDLE WLDM'T
8	900009-6	1	SCREW, CAP .31-18X1.5 G8 ZC
9	901001	2	NUT,NYLON 5/16-18 ZINC
10	900726-08	1	SCREW, SOC HD CAP, .312 X 1.5
11	902000-17	2	WASHER, FLAT .625 .032 THK

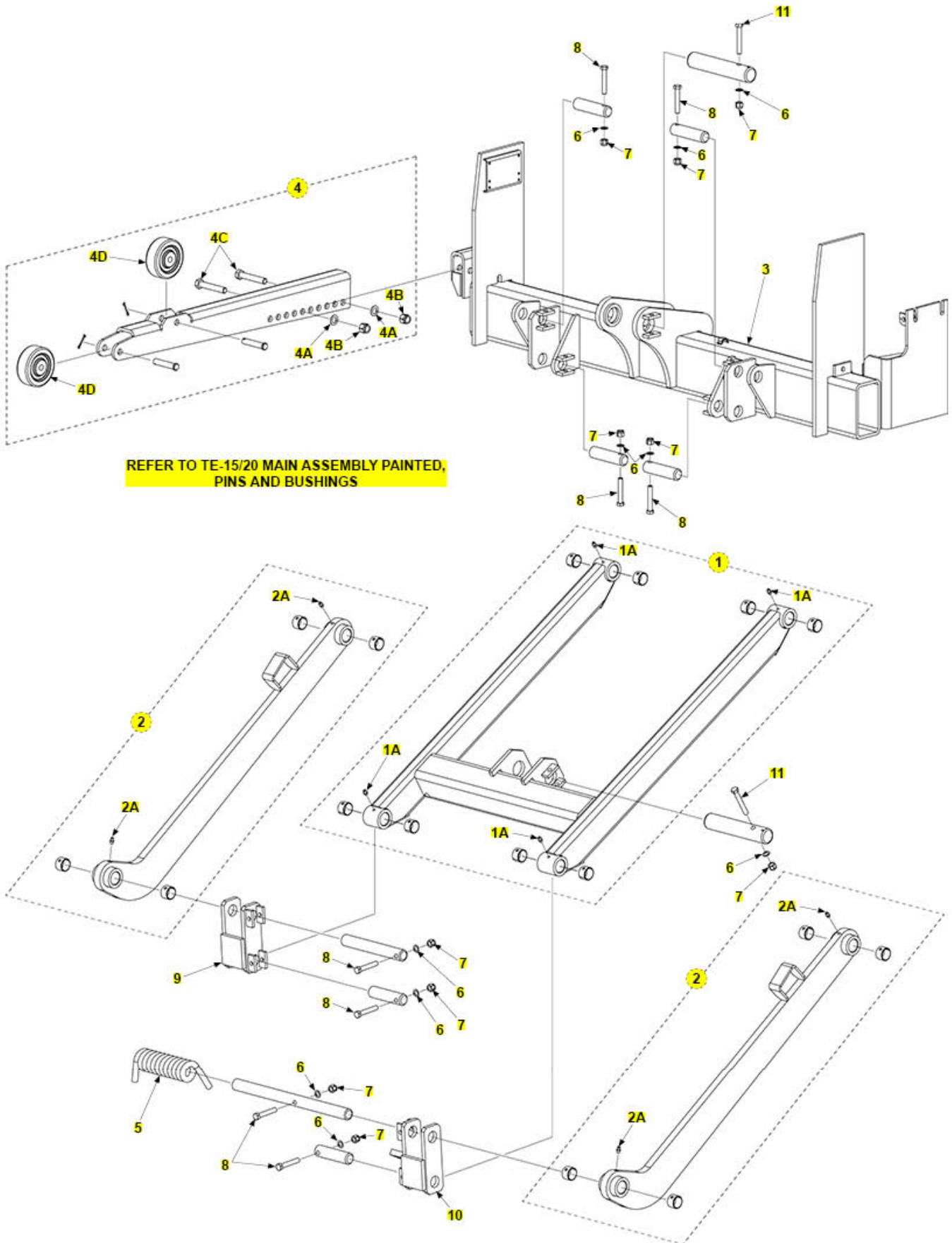


SPARE PARTS LIST

TE-15/20/25/30

TE-15/20 MAIN ASSEMBLY PAINTED

NOV 2017 to DEC 2020



**SPARE PARTS LIST**

TE-15/20/25/30

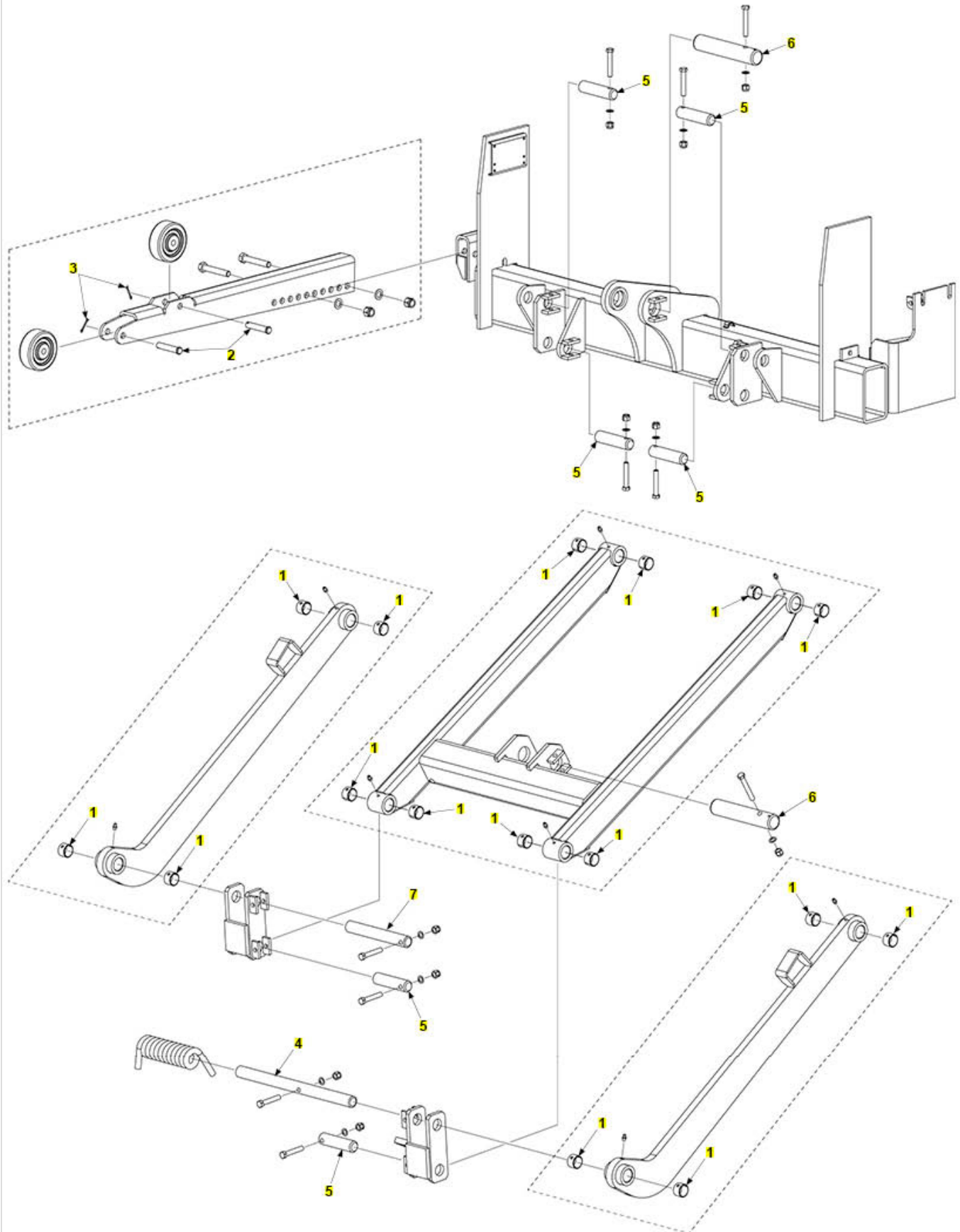
Pos	CPN	Qty	Description
1	286009-01	1	LIFT FRAME ASSY
1A	224342	4	FITTING, GREASE 1/4"SELF DRILL
2	286007-01	2	PARALLEL ARM ASSY
2A	224342	4	FITTING, GREASE 1/4"SELF DRILL
3	298030-01	1	M/FRAME ASSY, TE-15/TE-20
4	287060-01	1	KIT, OPENER, TUK-A-WAY
4A	902000-13	2	WASHER, FLAT .500 .032 THK
4B	901010	2	NUT, NYLON LOCK 1/2-13 ZC
4C	900035-9	2	SCREW,CAP HXHD.5-13UNC-2A 3.00
4D	280082-01	2	ROLLER, OPENER,3.5 X 1.25 X .5
5	286038-01	1	TORSION SPRING, RH HELIX
6	902000-9	10	WASHER, FLAT.375X.032 THK
7	901002	10	NUT, NYLON 3/8-16 ZINC
8	900014-9	8	SCREW,HEX CAP.38-16X2.25,G8,ZC
9	296872-08	1	SHACKLE WLDM'T,HB,RH,4.13,NO SPRG BRKT
9	296872-09	1	SHACKLE WLDM'T,HB,LH,4.63,NO SPRG BRKT
10	296872-02	1	SHACKLE WLDMT,HB,RH,4.63
10	296872-07	1	SHACKLE WLDM'T,HB,LH,4.13
11	900014-18	2	SCREW,HEX CAP.38-16X2.75,G8,ZC

SPARE PARTS LIST

TE-15/20/25/30

TE-15/20 MAIN ASSEMBLY PAINTED, PINS AND BUSHINGS

NOV 2017 to DEC 2020





03/18/2021

Page

44

of

122

*Spare Parts***SPARE PARTS LIST****TE-15/20/25/30**

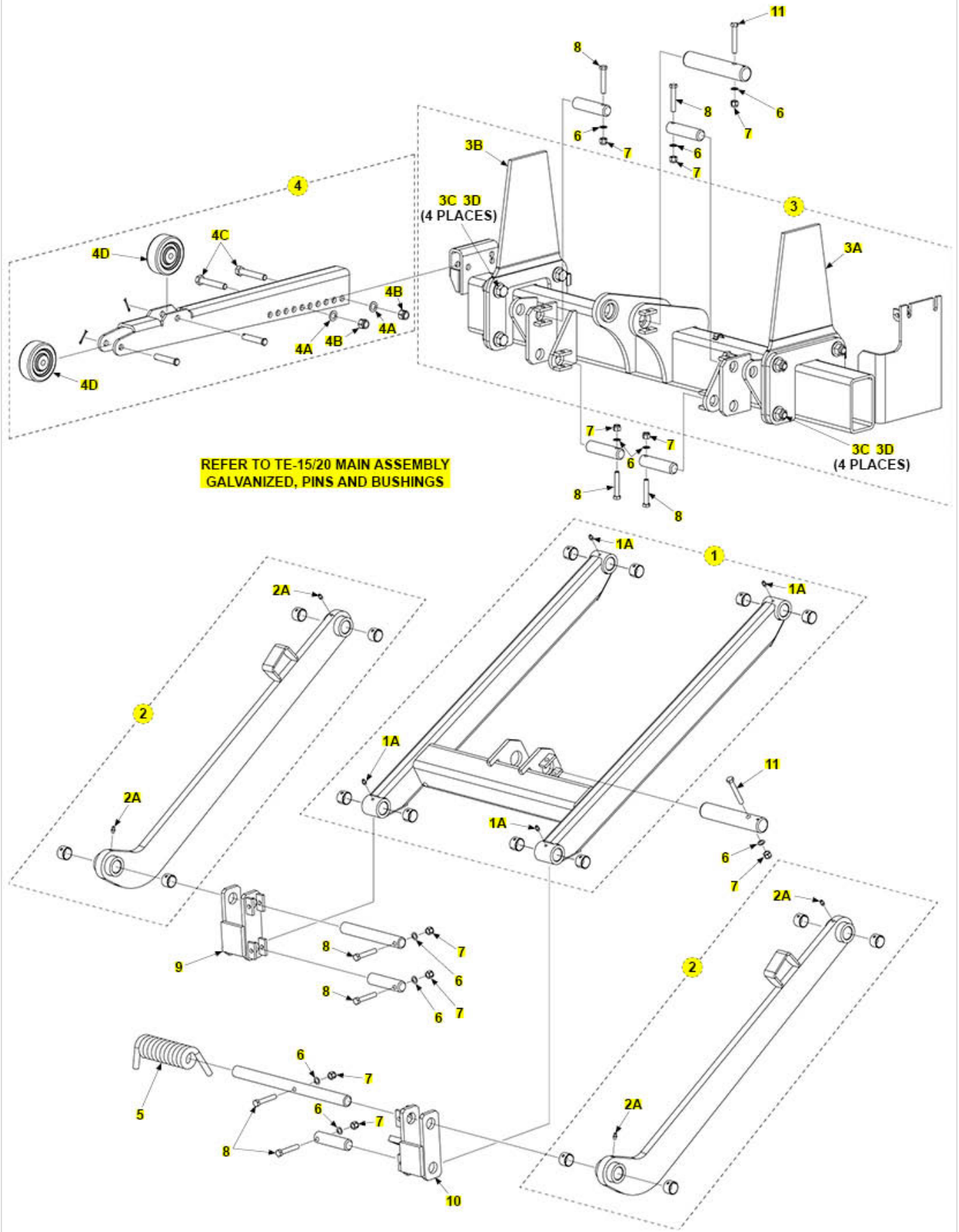
<b>Pos</b>	<b>CPN</b>	<b>Qty</b>	<b>Description</b>
1	260916-08	16	BEARING,SELF LUBE 1"DIA X.75"
2	905202-03	2	PIN CLEVIS, .500 DIA X 2.50
3	030805	2	COTTER PIN 1/8 X 1"
4	262981	1	PIN 1"DIA X 14.00"LG
5	252686	6	PIN 1"DIA. 4.00"LG
6	286074-01	2	PIN, CYLINDER
7	260830	1	PIN 1"DIA X 7.25"LG

SPARE PARTS LIST

TE-15/20/25/30

TE-15/20 MAIN ASSEMBLY GALVANIZED

NOV 2017 to DEC 2020



**SPARE PARTS LIST**  
TE-15/20/25/30

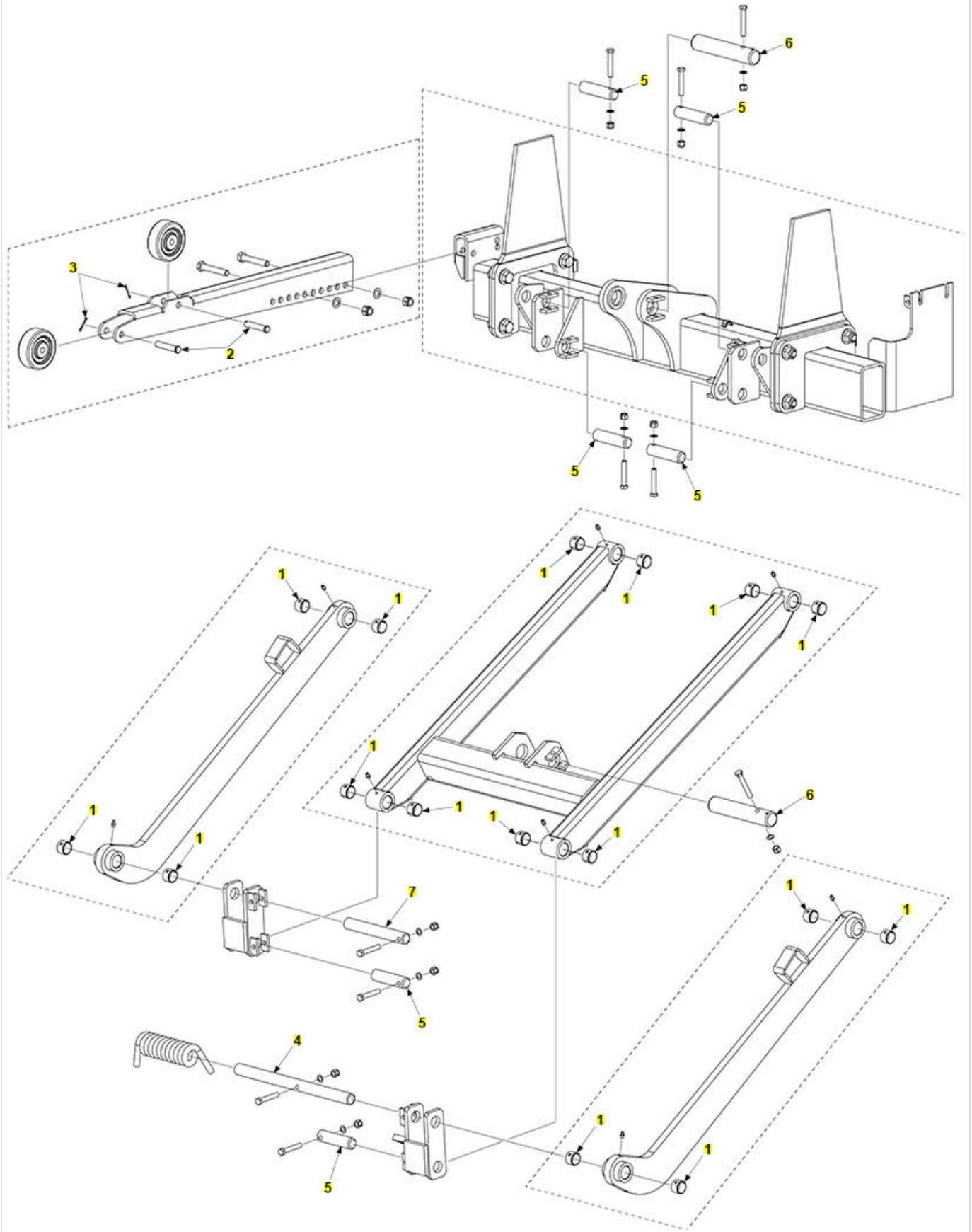
Pos	CPN	Qty	Description
1	286009-01G	1	LIFT FRAME ASSY
1A	224342	4	FITTING, GREASE 1/4"SELF DRILL
2	286007-01G	2	PARALLEL ARM ASSY
2A	224342	4	FITTING, GREASE 1/4"SELF DRILL
3	298030-01G	1	M/FRAME ASSY, TE-15/TE-20
3A	298351-01	1	MOUNT PL. WLDMT, TE, .13 JOG
3B	298351-02	1	MOUNT PL. WLDMT, TE, .13 JOG
3C	901615-03	8	NUT, NYLON 3/8-16 ZINC
3D	901023-04	8	FLANGE LOCK NUT,63-11,ZC
4	287060-01G	1	KIT, OPENER, TUK-A-WAY
4A	902000-13	2	WASHER, FLAT .500 .032 THK
4B	901010	2	NUT, NYLON LOCK 1/2-13 ZC
4C	900035-9	2	SCREW,CAP HXHD.5-13UNC-2A 3.00
4D	280082-01	2	ROLLER, OPENER,3.5 X 1.25 X .5
5	286038-01	1	TORSION SPRING, RH HELIX
6	902000-9	10	WASHER, FLAT.375X.032 THK
7	901002	10	NUT, NYLON 3/8-16 ZINC
8	900014-9	8	SCREW,HEX CAP.38-16X2.25,G8,ZC
9	296872-08G	1	SHACKLE WLDM'T,HB,RH,4.13,NO SPRG BRKT
9	296872-09G	1	SHACKLE WLDM'T,HB,LH,4.63,NO SPRG BRKT
10	296872-02G	1	SHACKLE WLDMT,HB,RH,4.63
10	296872-07G	1	SHACKLE WLDM'T,HB,LH,4.13
11	900014-18	2	SCREW,HEX CAP.38-16X2.75,G8,ZC

**SPARE PARTS LIST**

TE-15/20/25/30

**TE-15/20 MAIN ASSEMBLY GALVANIZED, PINS AND BUSHINGS**

NOV 2017 to DEC 2020



**SPARE PARTS LIST****TE-15/20/25/30**

<b>Pos</b>	<b>CPN</b>	<b>Qty</b>	<b>Description</b>
5	252686	6	PIN 1"DIA. 4.00"LG
2	905202-03	2	PIN CLEVIS, .500 DIA X 2.50
3	030805	2	COTTER PIN 1/8 X 1"
6	286074-01	2	PIN, CYLINDER
1	260916-08	16	BEARING,SELF LUBE 1"DIA X .75"
4	262981	1	PIN 1"DIA X 14.00"LG
7	260830	1	PIN 1"DIA X 7.25"LG

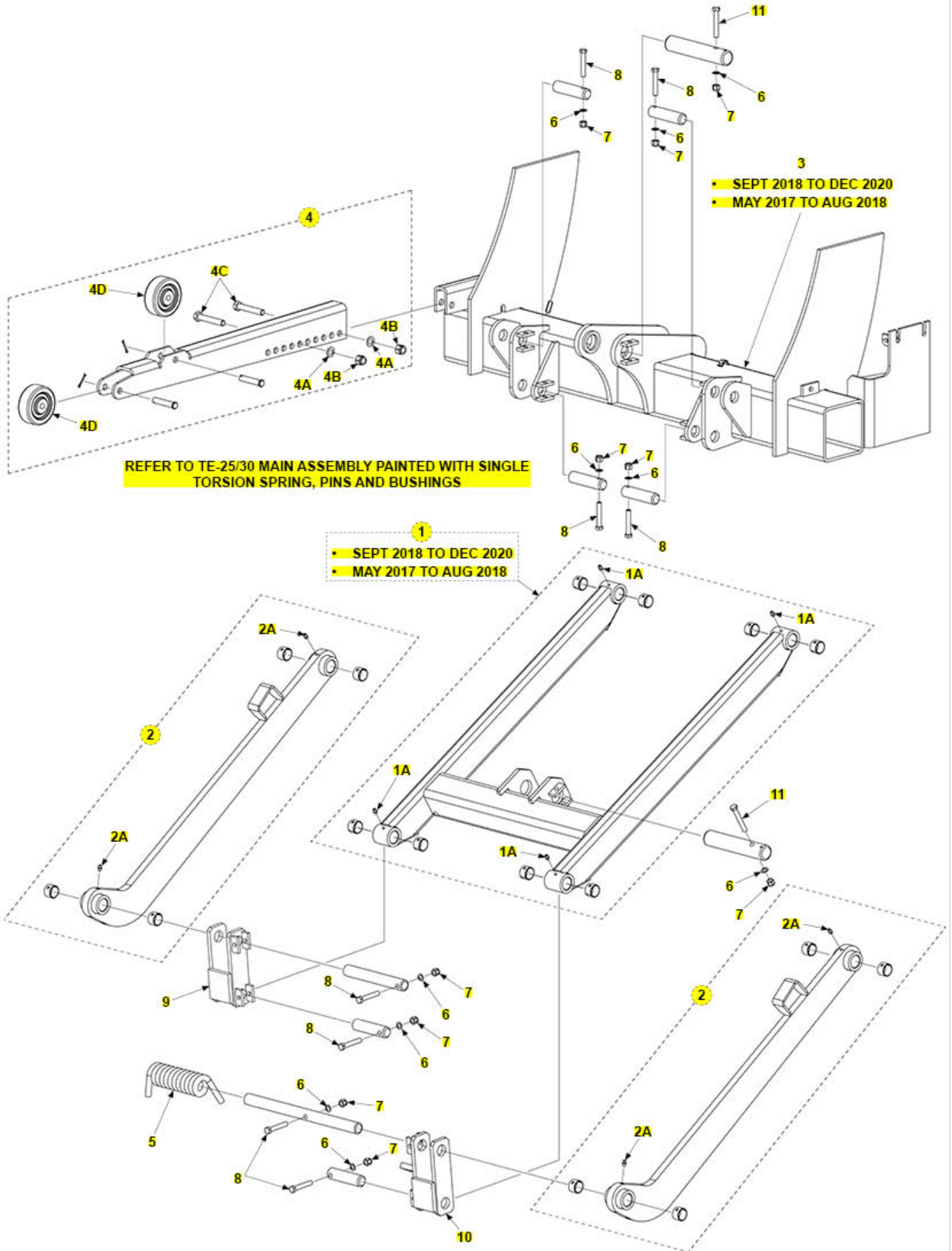


SPARE PARTS LIST

TE-15/20/25/30

TE-25/30 MAIN ASSEMBLY PAINTED WITH SINGLE TORSION SPRING

MAY 2017 to DEC 2020



SPARE PARTS LIST

TE-15/20/25/30

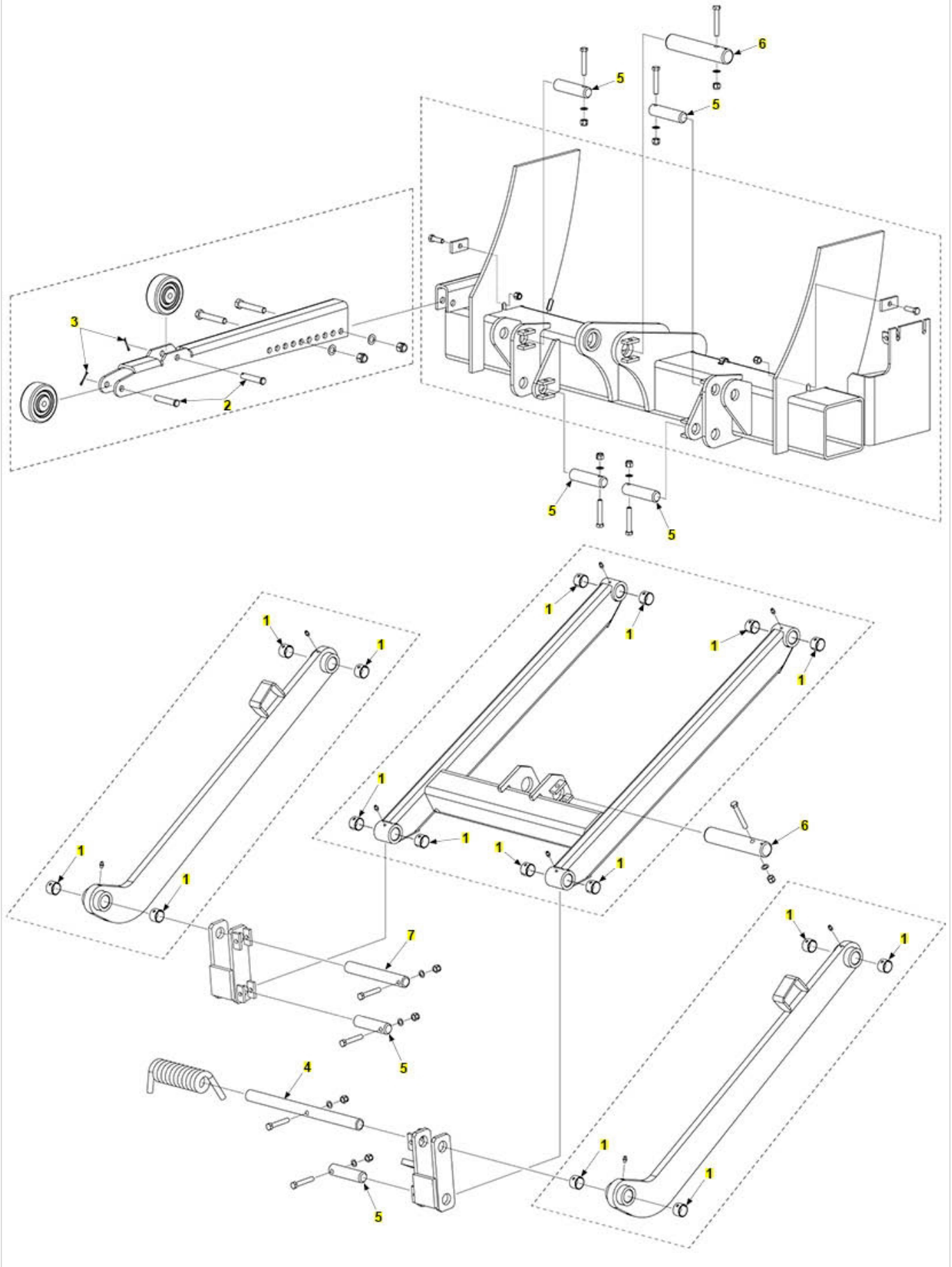
Pos	CPN	Qty	Description
1.1	298073-01	1	LIFT FRAME ASSY
1.2	286009-01	1	LIFT FRAME ASSY
1A	224342	4	FITTING, GREASE 1/4"SELF DRILL
2	286007-01	2	PARALLEL ARM ASSY
2A	224342	4	FITTING, GREASE 1/4"SELF DRILL
3.1	298083-01	1	M/F ASSY,WELD ON PAINTED MNT PL'S
3.2	269620-01	1	M/F ASSY, 38.0 MNT PL, BOLTED
4	287060-01	1	KIT, OPENER, TUK-A-WAY
4A	902000-13	2	WASHER, FLAT .500 .032 THK
4B	901010	2	NUT, NYLON LOCK 1/2-13 ZC
4C	900035-9	2	SCREW,CAP HXHD.5-13UNC-2A 3.00
4D	280082-01	2	ROLLER, OPENER,3.5 X 1.25 X .5
5	286038-01	1	TORSION SPRING, RH HELIX
6	902000-9	10	WASHER, FLAT.375X.032 THK
7	901002	10	NUT, NYLON 3/8-16 ZINC
8	900014-9	8	SCREW,HEX CAP.38-16X2.25,G8,ZC
9	296872-10	1	SHACKLE WLDMT,LB/HB,LH,5.00,NO SPRG BRKT
9	296872-09	1	SHACKLE WLDMT,HB,LH,4.63,NO SPRG BRKT
10	296872-02	1	SHACKLE WLDMT,HB,RH,4.63
10	296872-04	1	SHACKLE WLDMT,LB/HB,RH,5.00
11	900014-18	2	SCREW,HEX CAP.38-16X2.75,G8,ZC

**SPARE PARTS LIST**

TE-15/20/25/30

**TE-25/30 MAIN ASSEMBLY PAINTED WITH SINGLE TORSION SPRING, PINS AND BUSHINGS**

MAY 2017 to DEC 2020





03/18/2021

Page

52

of

122

*Spare Parts***SPARE PARTS LIST****TE-15/20/25/30**

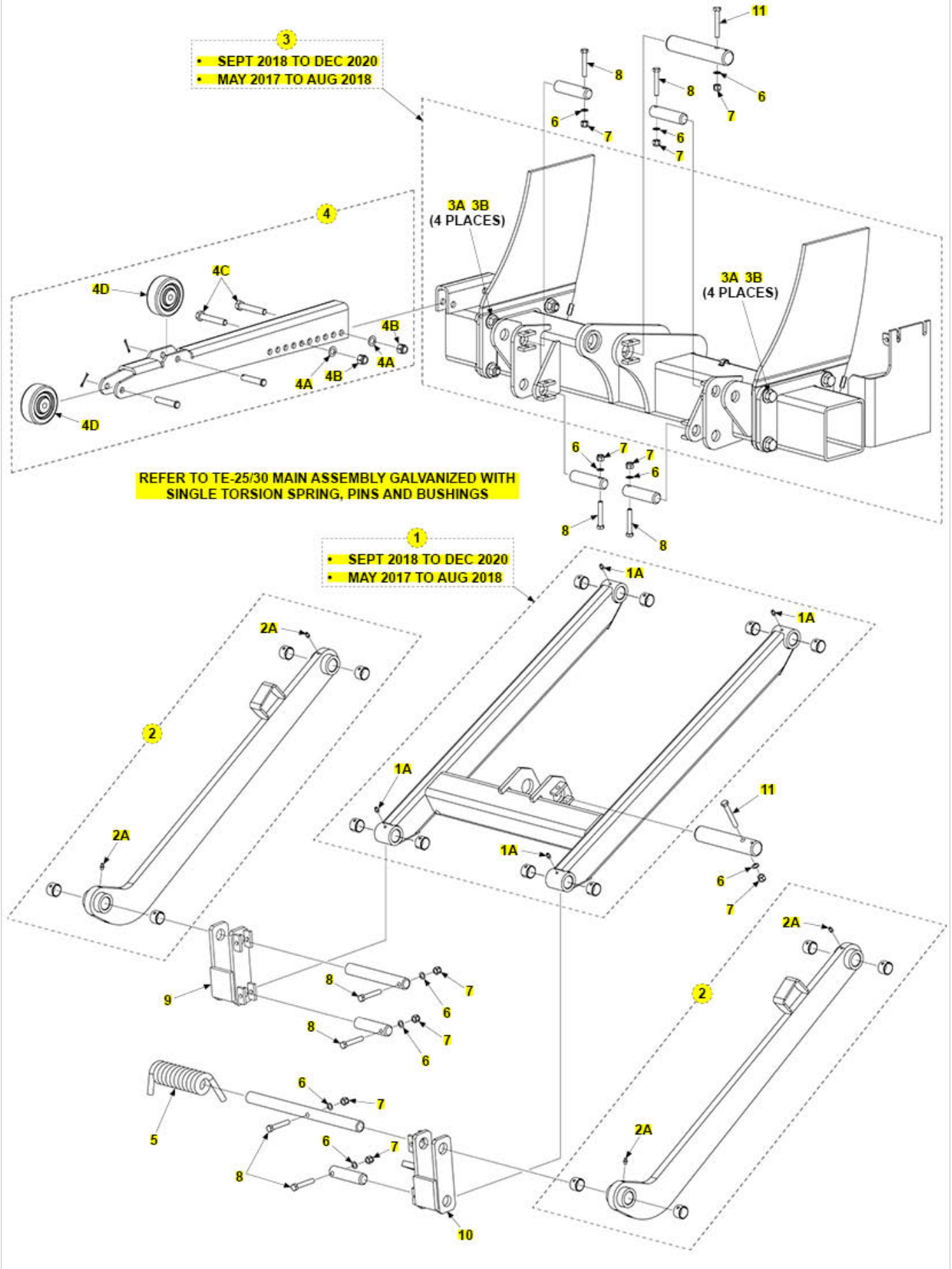
<b>Pos</b>	<b>CPN</b>	<b>Qty</b>	<b>Description</b>
1	260916-08	16	BEARING,SELF LUBE 1"DIA X.75"
2	905202-03	2	PIN CLEVIS, .500 DIA X 2.50
3	030805	2	COTTER PIN 1/8 X 1"
4	262981	1	PIN 1"DIA X 14.00"LG
5	252686	6	PIN 1"DIA. 4.00"LG
6	286074-01	2	PIN, CYLINDER
7	260830	1	PIN 1"DIA X 7.25"LG

SPARE PARTS LIST

TE-15/20/25/30

TE-25/30 MAIN ASSEMBLY GALVANIZED WITH SINGLE TORSION SPRING

MAY 2017 to DEC 2020



REFER TO TE-25/30 MAIN ASSEMBLY GALVANIZED WITH SINGLE TORSION SPRING, PINS AND BUSHINGS

SPARE PARTS LIST

TE-15/20/25/30

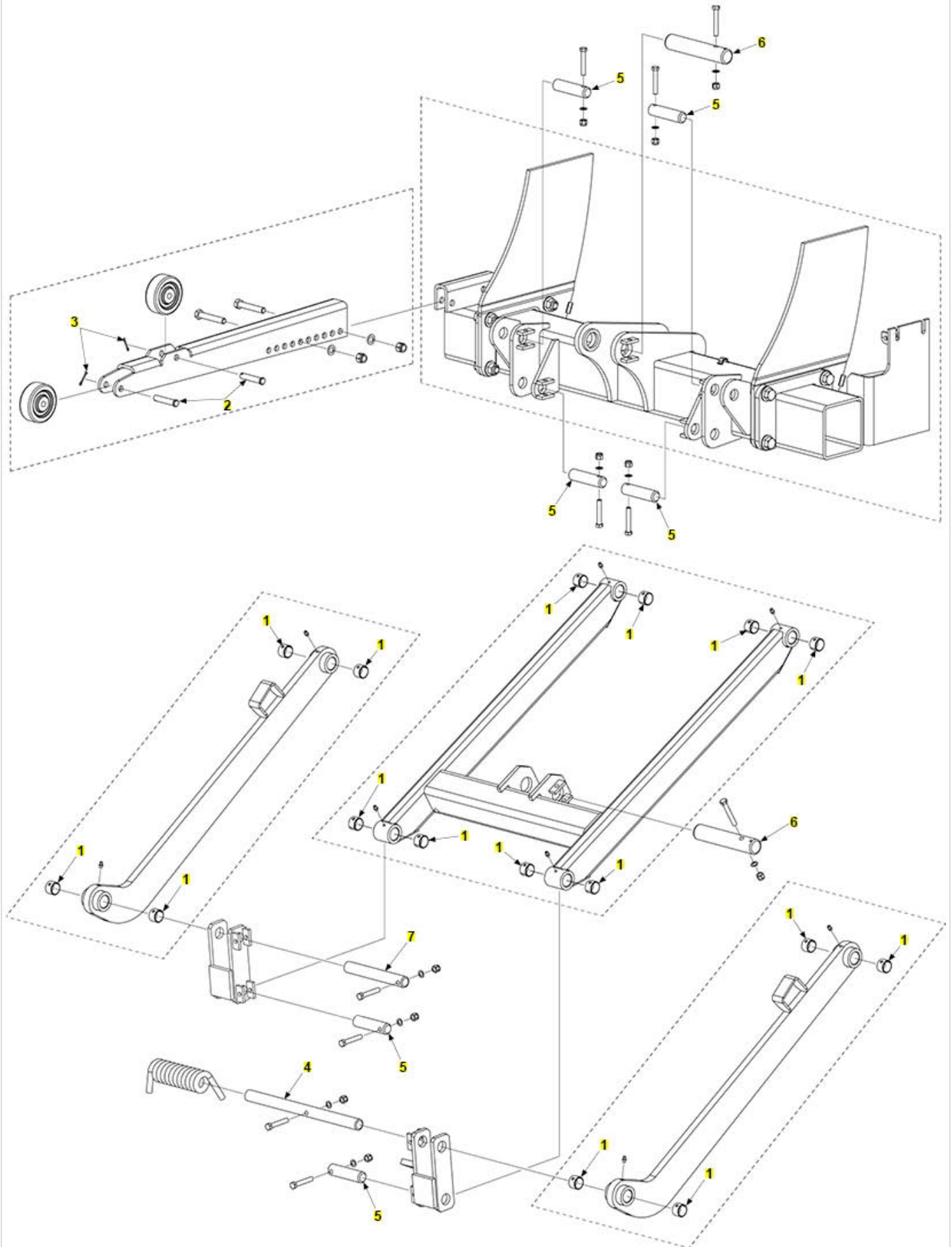
Pos	CPN	Qty	Description
1.1	298073-01G	1	LIFT FRAME ASSY, GAL
1.2	286009-01G	1	LIFT FRAME ASSY, GAL
1A	224342	4	FITTING, GREASE 1/4"SELF DRILL
2	286007-01G	2	PARALLEL ARM ASSY,GAL
2A	224342	4	FITTING, GREASE 1/4"SELF DRILL
3.1	298084-01G	1	M/F ASSY,BOLTED,34.25 & 33.75 MNT,G
3.2	296868-01G	1	M/F ASSY, BOLTED, 34.25 & 33.75 MNT, G
3A	901023-04	8	FLANGE LOCK NUT,63-11,ZC
3B	901615-03	8	BOLT HEX FRAME .63-11X1.75"LG
4	287060-01G	1	KIT, OPENER, TUK-A-WAY, GALV
4A	902000-13	2	WASHER, FLAT .500 .032 THK
4B	901010	2	NUT, NYLON LOCK 1/2-13 ZC
4C	900035-9	2	SCREW,CAP HXHD.5-13UNC-2A 3.00
4D	280082-01	2	ROLLER, OPENER,3.5 X 1.25 X .5
5	286038-01	1	TORSION SPRING, RH HELIX
6	902000-9	10	WASHER, FLAT.375X.032 THK
7	901002	10	NUT, NYLON 3/8-16 ZINC
8	900014-9	8	SCREW,HEX CAP.38-16X2.25,G8,ZC
9	296872-10G	1	SHACKLE WLDMT,HB/LB,LH,5.00,NO SPRG BRKT,G
9	296872-09G	1	SHACKLE WLDMT,HB,LH,4.63,NO SPRG BRKT,G
10	296872-02G	1	SHACKLE WLDMT,HB,RH,4.63,GAL
10	296872-04G	1	SHACKLE WLDMT,HB/LB,RH,5.00,G
11	900014-18	2	SCREW,HEX CAP.38-16X2.75,G8,ZC

**SPARE PARTS LIST**

TE-15/20/25/30

**TE-25/30 MAIN ASSEMBLY GALVANIZED WITH SINGLE TORSION SPRING, PINS AND BUSHINGS**

MAY 2017 to DEC 2020



**SPARE PARTS LIST****TE-15/20/25/30**

<b>Pos</b>	<b>CPN</b>	<b>Qty</b>	<b>Description</b>
1	260916-08	16	BEARING,SELF LUBE 1"DIA X.75"
2	905202-03	2	PIN CLEVIS, .500 DIA X 2.50
3	030805	2	COTTER PIN 1/8 X 1"
4	262981	1	PIN 1"DIA X 14.00"LG
5	252686	6	PIN 1"DIA. 4.00"LG
6	286074-01	2	PIN, CYLINDER
7	260830	1	PIN 1"DIA X 7.25"LG

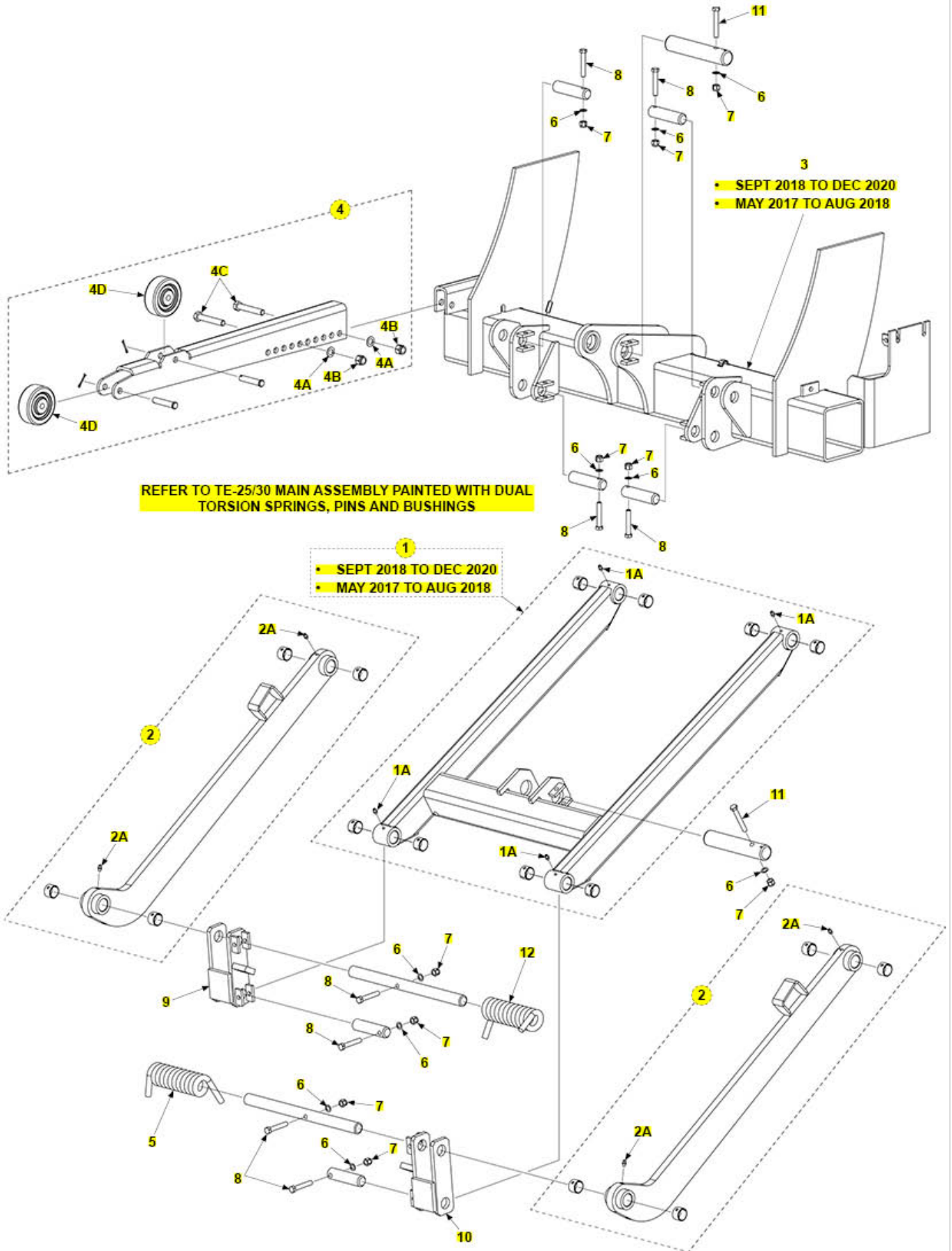


SPARE PARTS LIST

TE-15/20/25/30

TE-25/30 MAIN ASSEMBLY PAINTED WITH DUAL TORSION SPRINGS

MAY 2017 to DEC 2020



SPARE PARTS LIST

TE-15/20/25/30

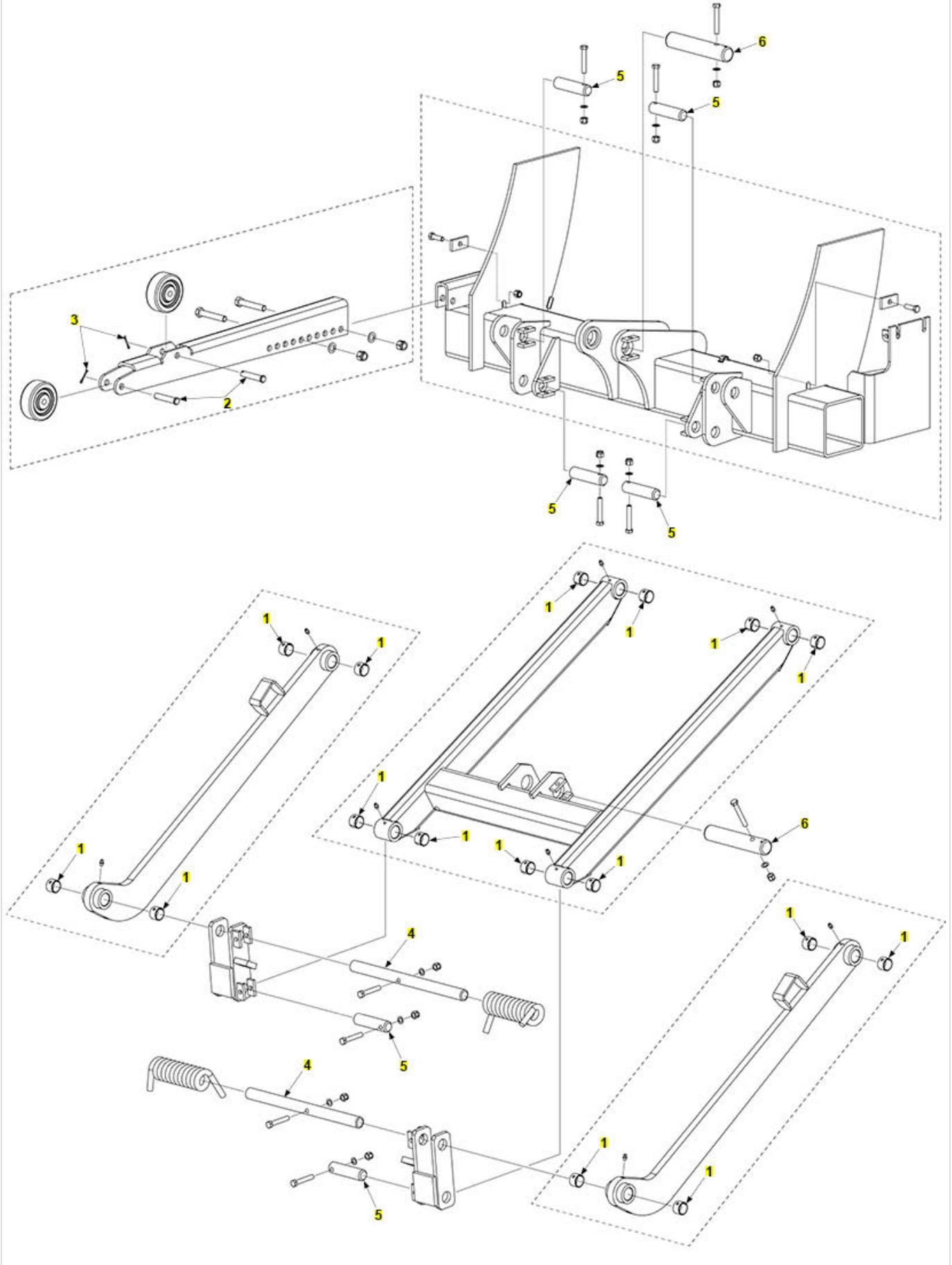
Pos	CPN	Qty	Description
1	298073-01	1	LIFT FRAME ASSY
1.1	286009-01	1	LIFT FRAME ASSY
1A	224342	4	FITTING, GREASE 1/4"SELF DRILL
2	286007-01	2	PARALLEL ARM ASSY
2A	224342	4	FITTING, GREASE 1/4"SELF DRILL
3	298083-01	1	M/F ASSY,WELD ON PAINTED MNT PL'S
3.1	269620-01	1	M/F ASSY, 38.0 MNT PL, BOLTED
4	287060-01	1	KIT, OPENER, TUK-A-WAY
4A	902000-13	2	WASHER, FLAT .500 .032 THK
4B	901010	2	NUT, NYLON LOCK 1/2-13 ZC
4C	900035-9	2	SCREW,CAP HXHD.5-13UNC-2A 3.00
4D	280082-01	2	ROLLER, OPENER,3.5 X 1.25 X .5
5	286038-01	1	TORSION SPRING, RH HELIX
6	902000-9	10	WASHER, FLAT.375X.032 THK
7	901002	10	NUT, NYLON 3/8-16 ZINC
8	900014-9	8	SCREW,HEX CAP.38-16X2.25,G8,ZC
9	296872-01	1	SHACKLE WLDMT,HB,LH,4.63
9	296872-03	1	SHACKLE WLDMT,LB/HB,LH,5.00
9	296872-05	1	SHACKLE WLDMT,LB,LH,5.25
10	296872-02	1	SHACKLE WLDMT,HB,RH,4.63
10	296872-04	1	SHACKLE WLDMT,LB/HB,RH,5.00
10	296872-06	1	SHACKLE WLDMT,LB,RH,5.25
11	900014-18	2	SCREW,HEX CAP.38-16X2.75,G8,ZC
12	286038-02	1	TORSION SPRING,LH HELIX

**SPARE PARTS LIST**

TE-15/20/25/30

**TE-25/30 MAIN ASSEMBLY PAINTED WITH DUAL TORSION SPRINGS, PINS AND BUSHINGS**

MAY 2017 to DEC 2020



**SPARE PARTS LIST****TE-15/20/25/30**

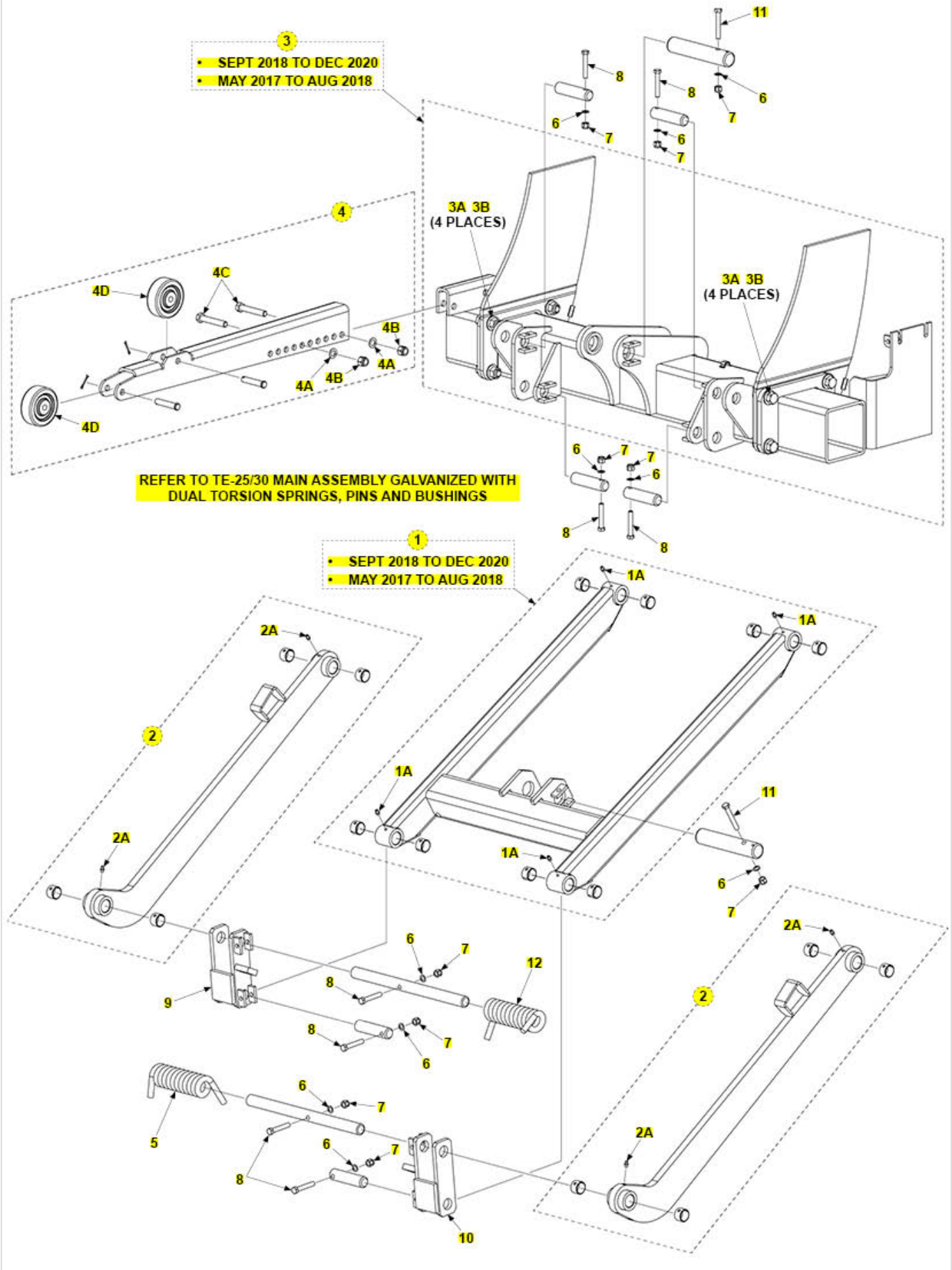
<b>Pos</b>	<b>CPN</b>	<b>Qty</b>	<b>Description</b>
1	260916-08	16	BEARING,SELF LUBE 1"DIA X.75"
2	905202-03	2	PIN CLEVIS, .500 DIA X 2.50
3	030805	2	COTTER PIN 1/8 X 1"
4	262981	2	PIN 1"DIA X 14.00"LG
5	252686	6	PIN 1"DIA. 4.00"LG
6	286074-01	2	PIN, CYLINDER

## SPARE PARTS LIST

TE-15/20/25/30

## TE-25/30 MAIN ASSEMBLY GALVANIZED WITH DUAL TORSION SPRINGS

MAY 2017 to DEC 2020



SPARE PARTS LIST

TE-15/20/25/30

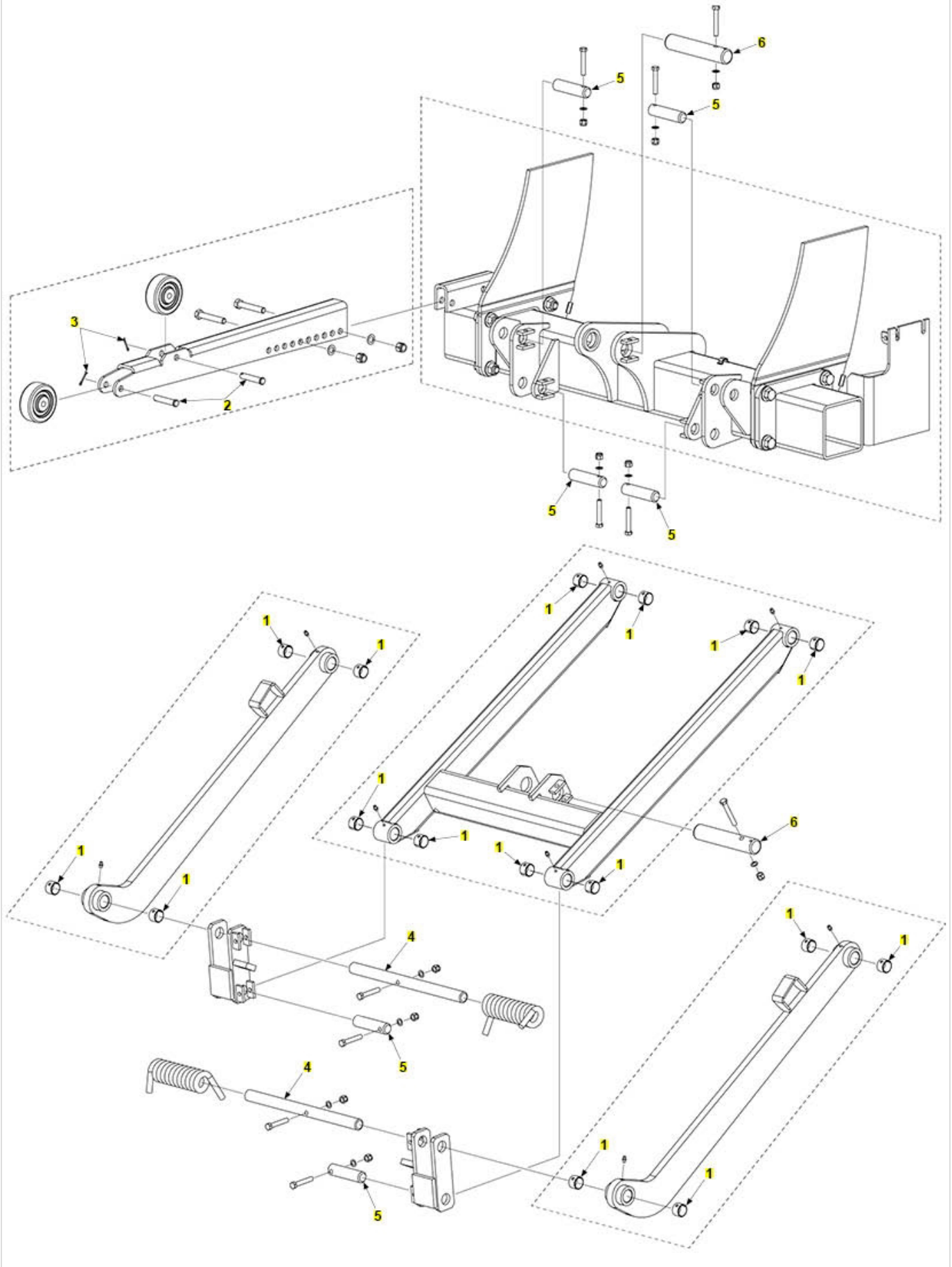
Pos	CPN	Qty	Description
1	298073-01G	1	LIFT FRAME ASSY, GAL
1.1	286009-01G	1	LIFT FRAME ASSY, GAL
1A	224342	4	FITTING, GREASE 1/4"SELF DRILL
2	286007-01G	2	PARALLEL ARM ASSY,GAL
2A	224342	4	FITTING, GREASE 1/4"SELF DRILL
3	298084-01G	1	M/F ASSY,BOLTED,34.25 & 33.75 MNT,G
3.1	296868-01G	1	M/F ASSY, BOLTED, 34.25 & 33.75 MNT, G
3A	901023-04	2	FLANGE LOCK NUT,63-11,ZC
3B	901615-03	2	BOLT HEX FRAME .63-11X1.75"LG
4	287060-01G	1	KIT, OPENER, TUK-A-WAY,G
4A	902000-13	2	WASHER, FLAT .500 .032 THK
4B	901010	2	NUT, NYLON LOCK 1/2-13 ZC
4C	900035-9	2	SCREW,CAP HXHD.5-13UNC-2A 3.00
4D	280082-01	2	ROLLER, OPENER,3.5 X 1.25 X .5
5	286038-01	1	TORSION SPRING, RH HELIX
6	902000-9	10	WASHER, FLAT.375X.032 THK
7	901002	10	NUT, NYLON 3/8-16 ZINC
8	900014-9	8	SCREW,HEX CAP.38-16X2.25,G8,ZC
9	296872-01G	1	SHACKLE WLDMT,HB,LH,4.63.GAL
9	296872-03G	1	SHACKLE WLDMT,LB/HB,LH,5.00,CAL
9	296872-05G	1	SHACKLE WLDMT,LB,LH,5.25,G
10	296872-02G	1	SHACKLE WLDMT,HB,RH,4.63,GAL
10	296872-04G	1	SHACKLE WLDMT,LB/HB,RH,5.00,GAL
10	296872-06G	1	SHACKLE WLDMT,LB,RH,5.25,G
11	900014-18	2	SCREW,HEX CAP.38-16X2.75,G8,ZC
12	286038-02	1	TORSION SPRING,LH HELIX

**SPARE PARTS LIST**

TE-15/20/25/30

**TE-25/30 MAIN ASSEMBLY GALVANIZED WITH DUAL TORSION SPRINGS, PINS AND BUSHINGS**

MAY 2017 to DEC 2020



**SPARE PARTS LIST****TE-15/20/25/30**

<b>Pos</b>	<b>CPN</b>	<b>Qty</b>	<b>Description</b>
1	260916-08	16	BEARING,SELF LUBE 1"DIA X.75"
2	905202-03	2	PIN CLEVIS, .500 DIA X 2.50
3	030805	2	COTTER PIN 1/8 X 1"
4	262981	2	PIN 1"DIA X 14.00"LG
6	286074-01	2	PIN, CYLINDER
5	252686	6	PIN 1"DIA. 4.00"LG



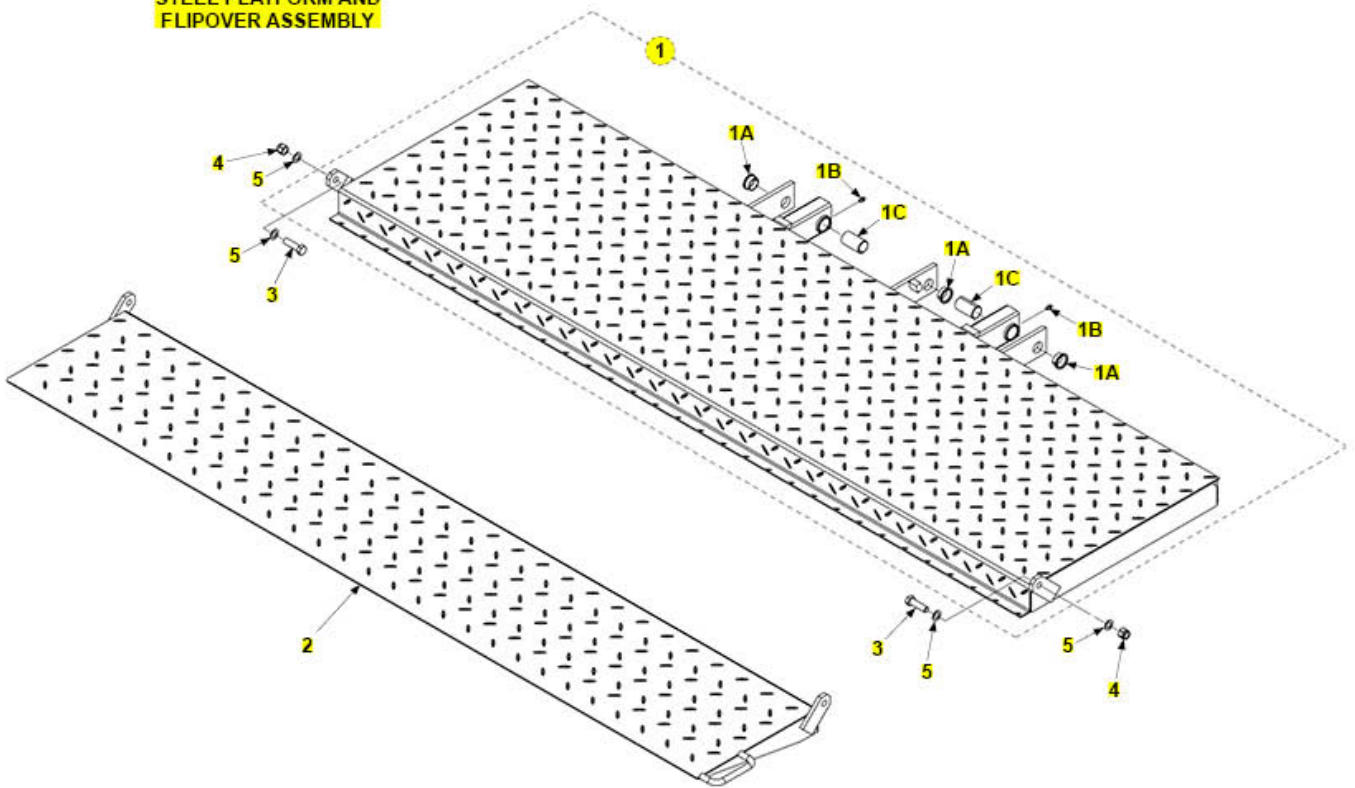
SPARE PARTS LIST

TE-15/20/25/30

TE-15/20 STEEL PLATFORM AND FLIPOVER ASSEMBLY

NOV 2017 to DEC 2020

STEEL PLATFORM AND  
FLIPOVER ASSEMBLY



**SPARE PARTS LIST****TE-15/20/25/30**

<b>Pos</b>	<b>CPN</b>	<b>Qty</b>	<b>Description</b>
REF	298025-01	1	P/F & F/O ASSY,80X22+14 ST
REF	298025-01G	1	P/F & F/O ASSY,80X22+14 ST,G
1	298006-01	1	P/F ASSY, 22X80, TE-15/TE-20
1	298006-01G	1	P/F ASSY, 22X80, TE-15/TE-20, G
1A	908002-03	3	BEARING,SELF LUB.1ID X.5 LG
1B	224342	2	FITTING, GREASE 1/4"SELF DRILL
1C	260916-03	2	BEARING SELF LUBE 1DIAX2.00IN
2	298037-01	1	F/O WLDMT 80X14WG TE-15/TE-20
2	298037-01G	1	F/O WLDMT 80X14WG TE-15/TE-20,G
3	900033-4	2	SCREW, CAP.5-20X1.75 GR8 ZC
4	901008	2	NUT, NYLON 1/2-20 ZC
5	902000-14	4	WASHER, FLAT .500X.063 THK

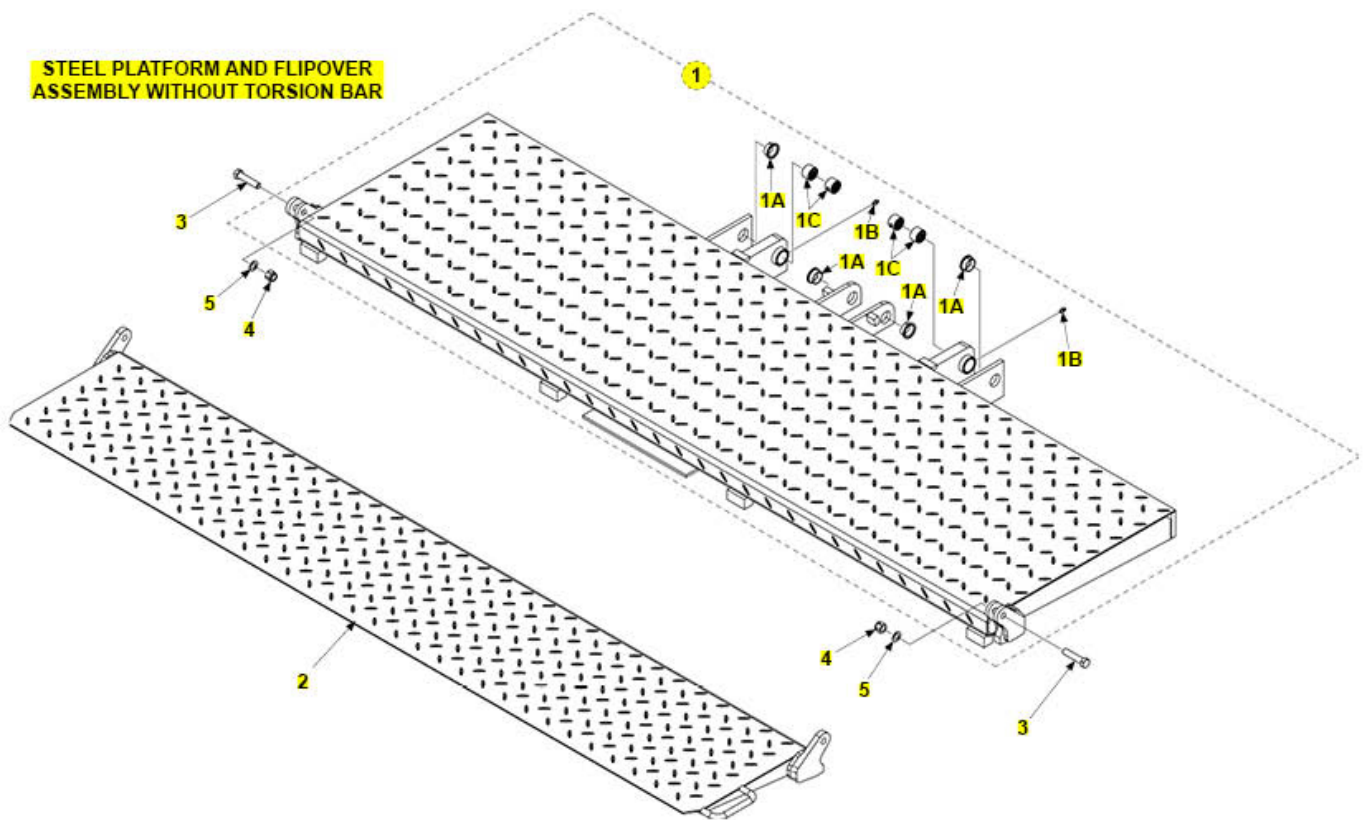
SPARE PARTS LIST

TE-15/20/25/30

TE-25/30 STEEL PLATFORM AND FLIPOVER ASSEMBLY WITHOUT TORSION BAR

MAY 2017 to DEC 2020

STEEL PLATFORM AND FLIPOVER ASSEMBLY WITHOUT TORSION BAR



**SPARE PARTS LIST****TE-15/20/25/30**

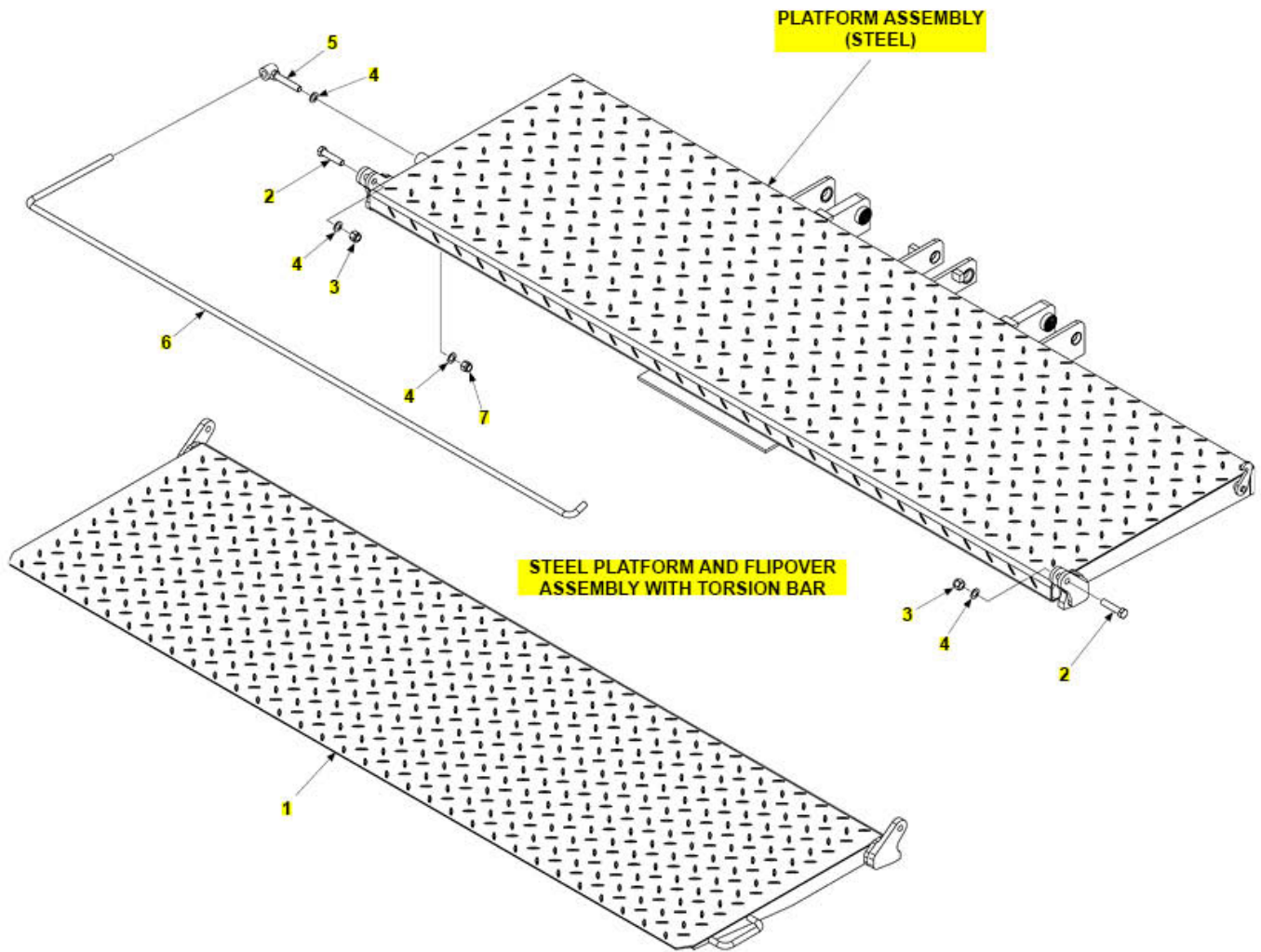
<b>Pos</b>	<b>CPN</b>	<b>Qty</b>	<b>Description</b>
REF	296650-01	1	P/F & F/O ASSY,80X22+14 ST
REF	296650-01G	1	P/F & F/O ASSY,80X22+14 ST, GALV.
1	298578-01	1	P/F ASSY,STL 80X22
1	298578-01G	1	P/F ASSY,STL 80X22,G
1A	908002-03	4	BEARING,SELF LUB.1ID X.5 LG
1B	224342	2	FITTING, GREASE 1/4"SELF DRILL
1C	908178-01	4	BEARING,PRE LUBRICATING 1.00ID X .75 LG
2	296870-01	1	F/O WLDMT,ST 80 X 14,WDG
2	296870-01G	1	F/O WLDMT,ST 80 X 14,WDG,G
3	900033-6	2	SCREW, CAP.5-20X2.25 GR8 ZC
4	901008	2	NUT, NYLON 1/2-20 ZC
5	902000-14	2	WASHER, FLAT .500X.063 THK

SPARE PARTS LIST

TE-15/20/25/30

TE-25/30 STEEL PLATFORM AND FLIPOVER ASSEMBLY WITH TORSION BAR

MAY 2017 to DEC 2020



**SPARE PARTS LIST****TE-15/20/25/30**

<b>Pos</b>	<b>CPN</b>	<b>Qty</b>	<b>Description</b>
REF	296650-02	1	P/F & F/O ASSY,80X24+24 ST
REF	296650-02G	1	P/F & F/O ASSY,80X24+24 ST, GALV.
1	296870-02	1	F/O WLDMT,ST 80X24,WDG,TB
1	296870-02G	1	F/O WLDMT,ST 80X24,WDG,TB,G
2	900033-6	2	SCREW, CAP.5-20X2.25 GR8 ZC
3	901008	2	NUT, NYLON 1/2-20 ZC
4	902000-14	4	WASHER, FLAT .500X.063 THK
5	280749-02	1	ANCHOR BOLT WLDMT, ZINC PLATE
6	280751-01	1	TORSION BAR
7	901010	1	NUT, NYLON LOCK 1/2-13 ZC

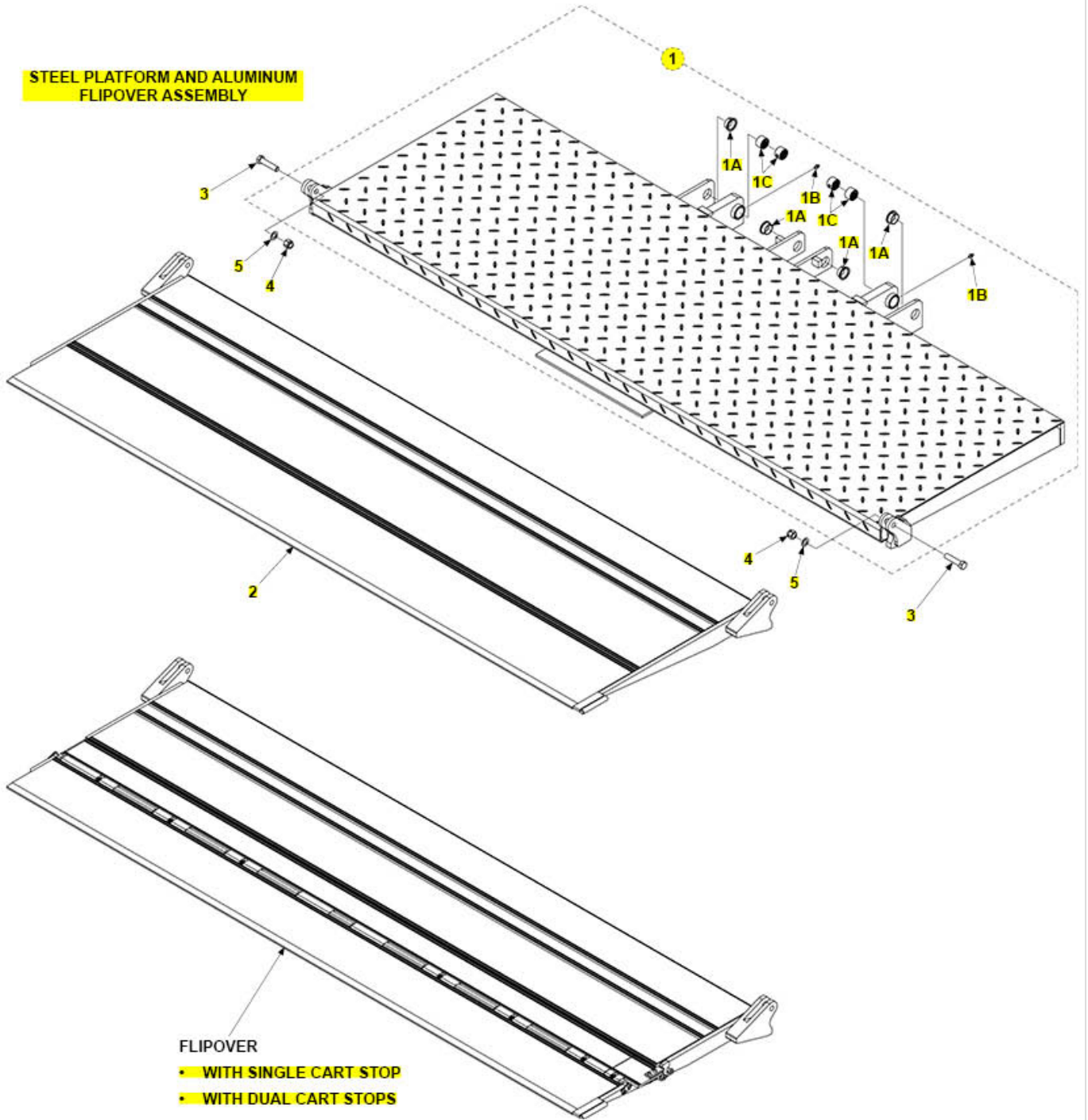
SPARE PARTS LIST

TE-15/20/25/30

TE-25/30 STEEL PLATFORM AND ALUMINUM FLIPOVER ASSEMBLY

MAY 2017 to DEC 2020

STEEL PLATFORM AND ALUMINUM FLIPOVER ASSEMBLY



## SPARE PARTS LIST

TE-15/20/25/30

Pos	CPN	Qty	Description
REF	296650-04	1	P/F & F/O ASSY,80X24+24,ST-AL NCS
REF	296650-04G	1	P/F & F/O ASSY,80X24+24,ST-AL NCS, GALV.
REF	296650-05	1	P/F & F/O ASSY,80X26+26,ST-AL NCS
REF	296650-05G	1	P/F & F/O ASSY,80X26+26,ST-AL NCS, GALV.
REF	296650-06	1	P/F & F/O ASSY,80X24+24,ST-AL SCS
REF	296650-06G	1	P/F & F/O ASSY,80X24+24,ST-AL SCS, GALV.
REF	296650-07	1	P/F & F/O ASSY,80X26+26,ST-AL SCS
REF	296650-07G	1	P/F & F/O ASSY,80X26+26,ST-AL SCS, GALV.
REF	296650-08	1	P/F & F/O ASSY,80X24+24,ST-AL DCS
REF	296650-08G	1	P/F & F/O ASSY,80X24+24,ST-AL DCS, GALV.
REF	296650-09	1	P/F & F/O ASSY,80X26+26,ST-AL DCS
REF	296650-09G	1	P/F & F/O ASSY,80X26+26,ST-AL DCS, GALV.
1	298578-02	1	P/F ASSY,STL 80X26
1	298578-02G	1	P/F ASSY,STL 80X26,G
1	298578-04	1	P/F ASSY,STL 80X24,W/OUT LATCH
1	298578-04G	1	P/F ASSY,STL 80X24,W/OUT LATCH,G
1A	908002-03	4	BEARING,SELF LUB.1ID X.5 LG
1B	224342	2	FITTING, GREASE 1/4"SELF DRILL
1C	908178-01	4	BEARING,PRE LUBRICATING 1.00ID X .75 LG
2	296879-01	1	F/O WLDMT, AL 80X24, NCS
2	296879-02	1	F/O WLDMT,AL 80X26,NCS
3	900033-8	2	SCREW, CAP.5-20X2.75 GR8 ZC
4	901008	2	NUT, NYLON 1/2-20 ZC
5	902000-14	2	WASHER, FLAT .500X.063 THK

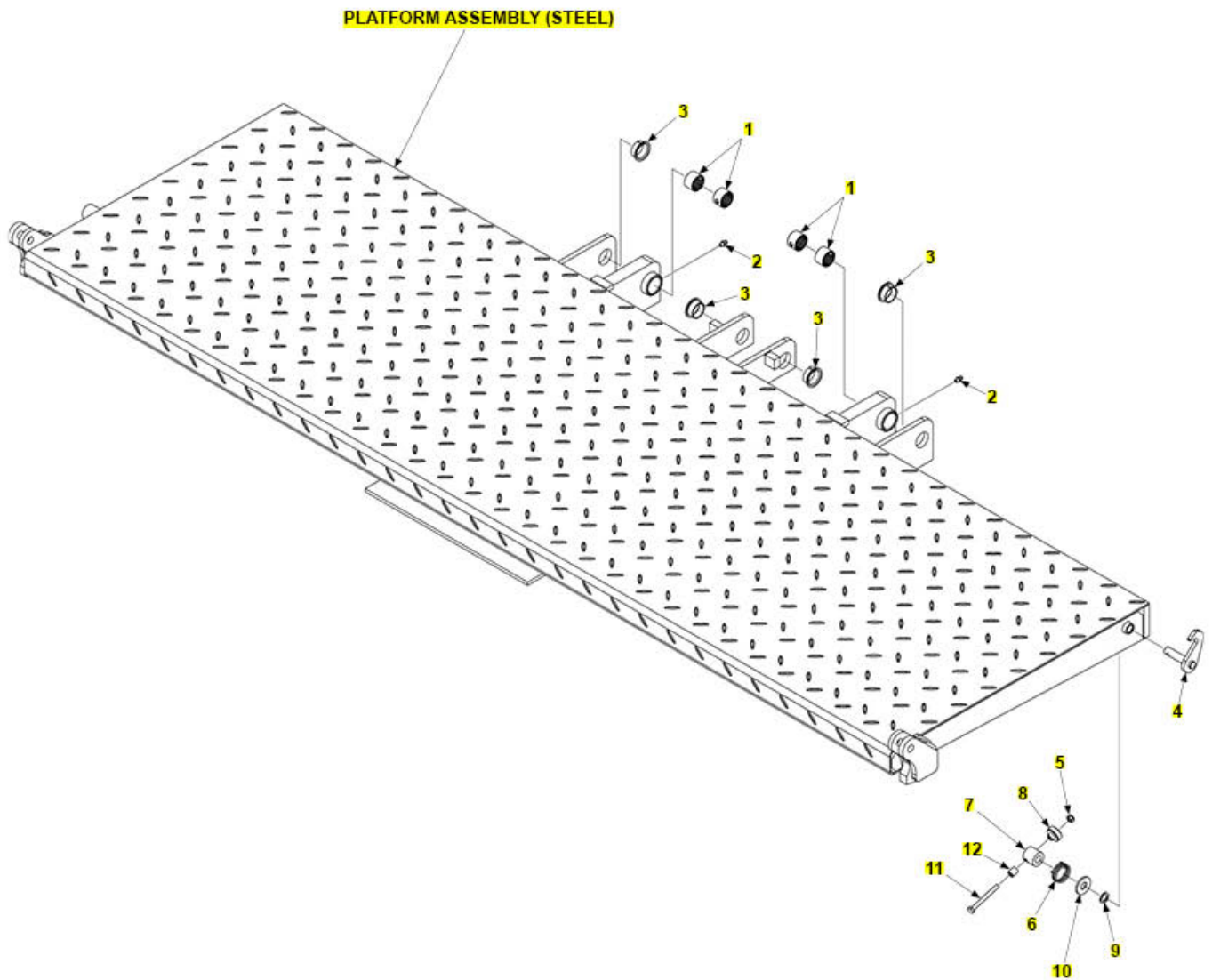


SPARE PARTS LIST

TE-15/20/25/30

TE-25/30 PLATFORM ASSEMBLY (STEEL)

MAY 2017 to DEC 2020



**SPARE PARTS LIST****TE-15/20/25/30**

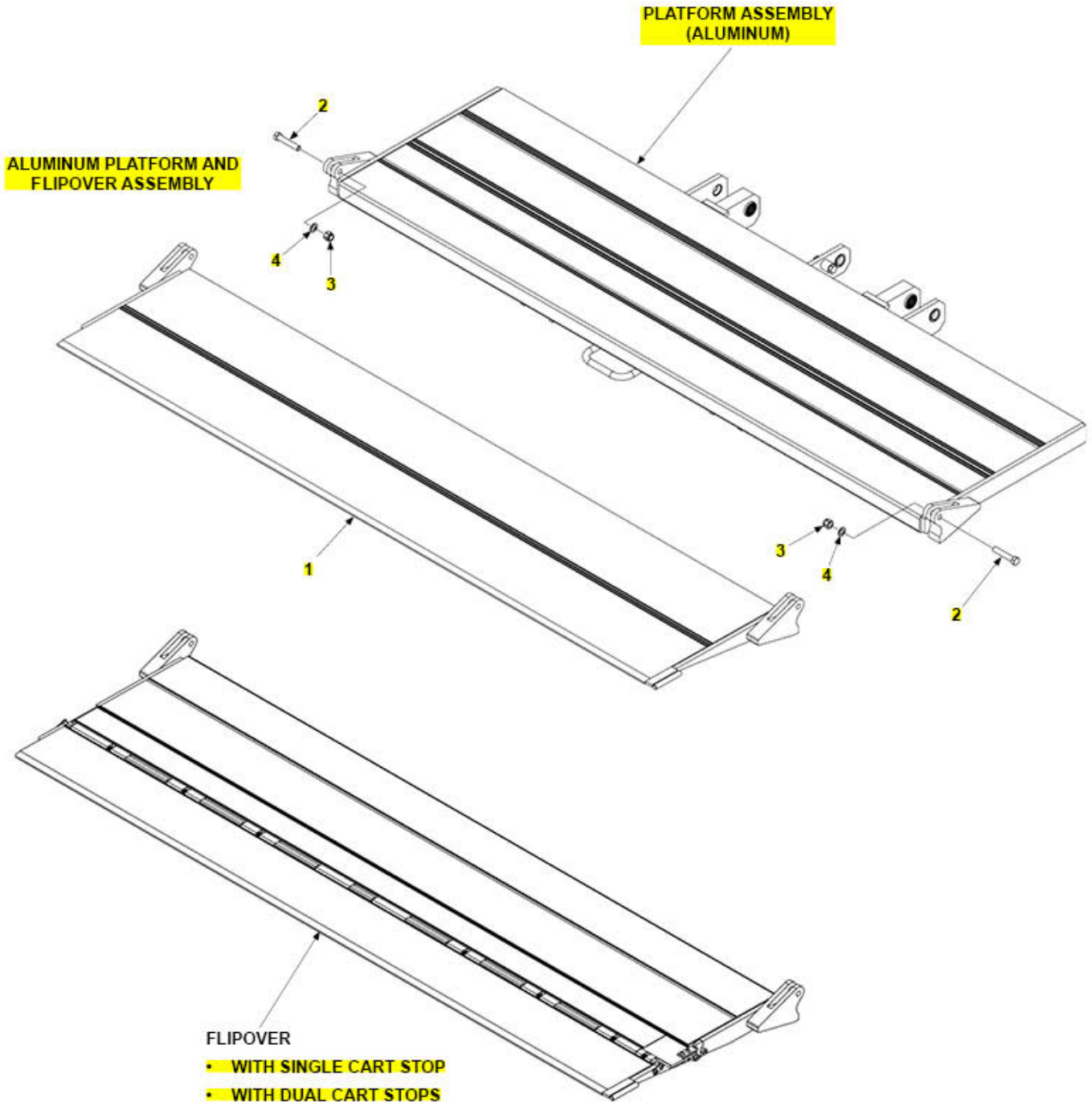
<b>Pos</b>	<b>CPN</b>	<b>Qty</b>	<b>Description</b>
REF	296878-03	1	P/F ASSY,STL 80X24,W/LATCH
REF	296878-03G	1	P/F ASSY,STL 80X24,W/LATCH,G
1	908178-01	4	BEARING,PRE LUBRICATING 1.00ID X .75 LG
2	224342	2	FITTING, GREASE 1/4"SELF DRILL
3	908002-03	4	BEARING,SELF LUB.1ID X.5 LG
4	284828-01	1	HOOK WLDMT, P/F & F/O
5	901016-2	1	NUT HEX THN HD LKG.250-20UNC
6	284849-01	1	TORSION SPRING, SS TE-25
7	284833-01	1	BUSHING, NYL 1.0X.52 IDX.91
8	284832-01	1	SPACER, NYLON, 1" OD
9	903413-02	1	WASHER,6/6 NYLON.5IDX.062TH
10	284852-01	1	WASHER,ZC 1.25X.52X.125 THK
11	900004-10	1	SCREW, CAP 1/4-20X2-1/2 GR8 ZC
12	284851-01	1	SPACER, NYLON .44X.63LGX.266

SPARE PARTS LIST

TE-15/20/25/30

TE-15/20 ALUMINUM PLATFORM AND FLIPOVER ASSEMBLY

NOV 2017 to DEC 2020



**SPARE PARTS LIST****TE-15/20/25/30**

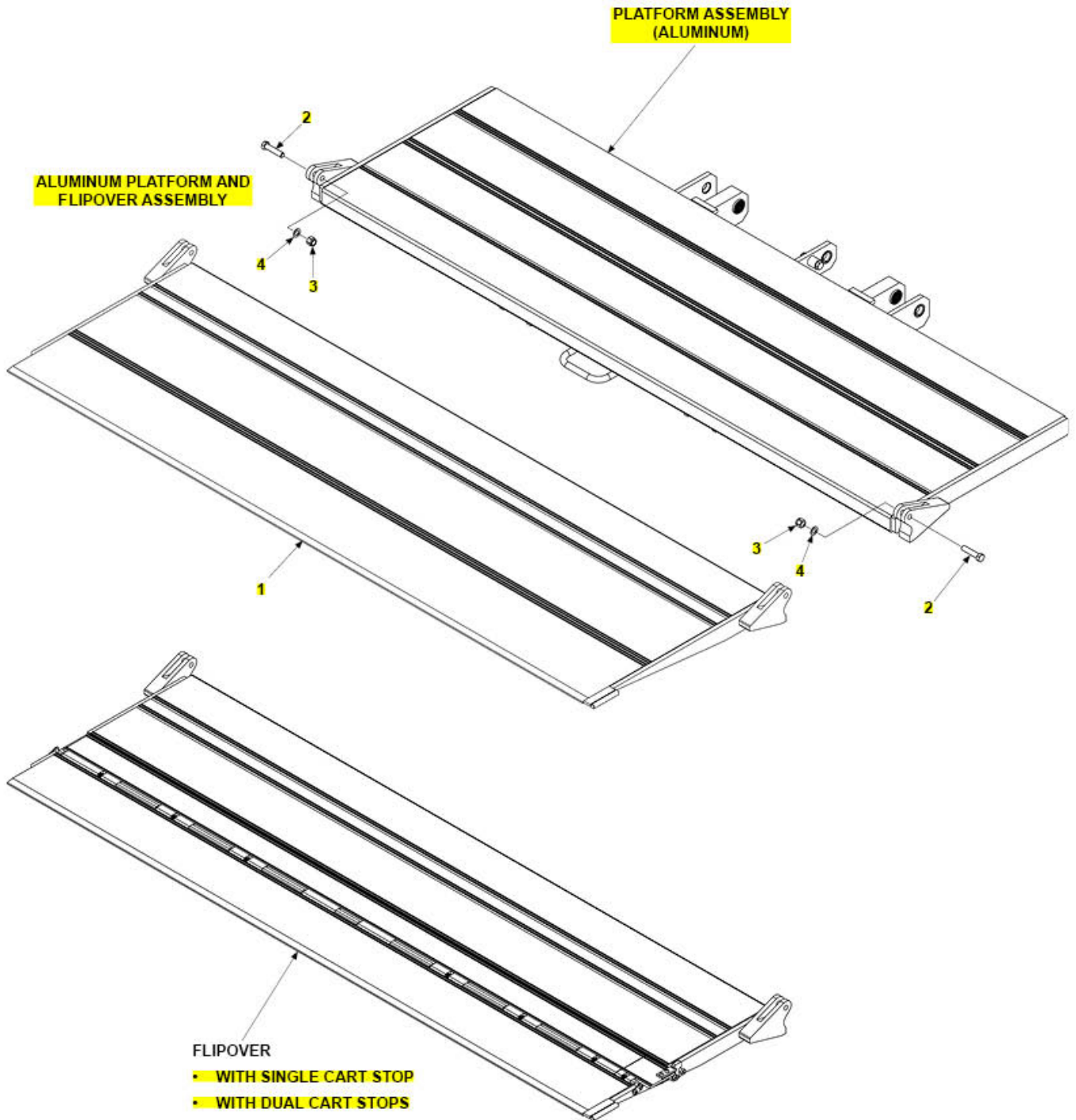
<b>Pos</b>	<b>CPN</b>	<b>Qty</b>	<b>Description</b>
REF	298025-02	1	P/F & F/O ASSY,80X22+18 AL-AL,NCS
REF	298025-03	1	P/F & F/O ASSY,80X22+18 AL-AL,SCS
REF	298025-04	1	P/F & F/O ASSY,80X22+18 AL-AL,DCS
1	296879-03	1	F/O WLDMT, AL 80X18, NCS
2	900033-8	2	SCREW, CAP.5-20X2.75 GR8 ZC
3	901008	2	NUT, NYLON 1/2-20 ZC
4	902000-14	2	WASHER, FLAT .500X.063 THK

SPARE PARTS LIST

TE-15/20/25/30

TE-25/30 ALUMINUM PLATFORM AND FLIPOVER ASSEMBLY

MAY 2017 to DEC 2020



**SPARE PARTS LIST****TE-15/20/25/30**

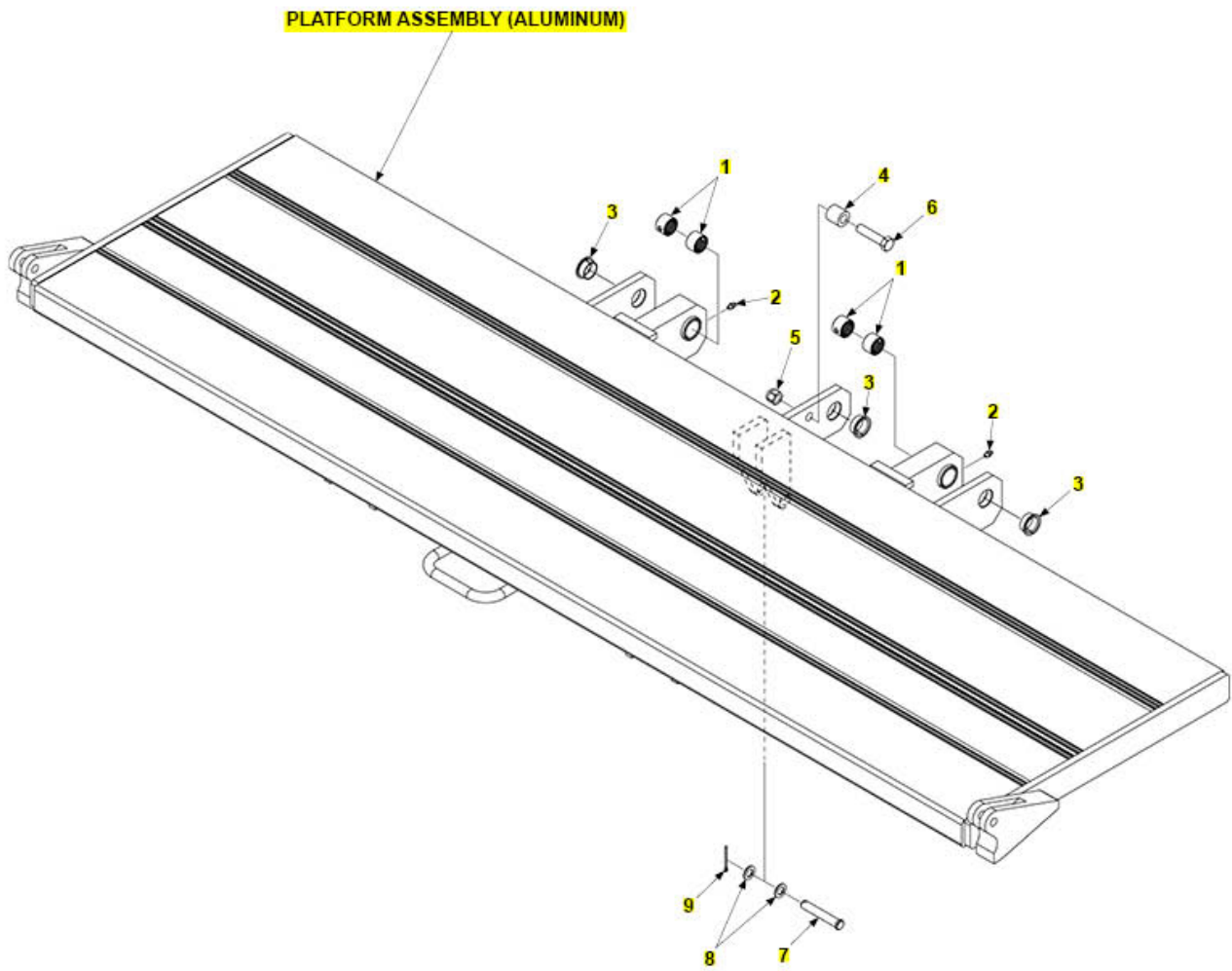
<b>Pos</b>	<b>CPN</b>	<b>Qty</b>	<b>Description</b>
REF	296650-10	1	P/F & F/O ASSY,80X24+24,AL-AL,NCS
REF	296650-11	1	P/F & F/O ASSY,80X26+26,AL-AL,NCS
REF	296650-12	1	P/F & F/O ASSY,80X24+24,AL-AL,SCS
REF	296650-13	1	P/F & F/O ASSY,80X26+26,AL-AL,SCS
REF	296650-14	1	P/F & F/O ASSY,80X24+24,AL-AL,DCS
REF	296650-15	1	P/F & F/O ASSY,80X26+26,AL-AL,DCS
1	296879-01	1	F/O WLDMT, AL 80X24, NCS
1	296879-02	1	F/O WLDMT,AL 80X26,NCS
2	900033-8	2	SCREW, CAP.5-20X2.75 GR8 ZC
3	901008	2	NUT, NYLON 1/2-20 ZC
4	902000-14	2	WASHER, FLAT .500X.063 THK

SPARE PARTS LIST

TE-15/20/25/30

TE-15/20 PLATFORM ASSEMBLY (ALUMINUM)

NOV 2017 to DEC 2020



**SPARE PARTS LIST****TE-15/20/25/30**

<b>Pos</b>	<b>CPN</b>	<b>Qty</b>	<b>Description</b>
REF	296893-03	1	P/F ASSY, AL 80 X 22
1	908178-01	4	BEARING,PRE LUBRICATING 1.00ID X .75 LG
2	224342	2	FITTING, GREASE 1/4"SELF DRILL
3	908002-03	3	BEARING,SELF LUB.1ID X.5 LG
4	286053-01	1	BUSHING, PLATFORM SPRING
5	901010	1	NUT, NYLON LOCK 1/2-13 ZC
6	900035-6	1	SCREW,CAP HXHD.5-13UNC-2A 2.25
7	261838	1	PIN, CLEVIS 1/2 X 3 ZINC
8	902000-14	2	WASHER, FLAT .500X.063 THK
9	030177	1	PIN COTTER 1/8X1-1/2 ZC

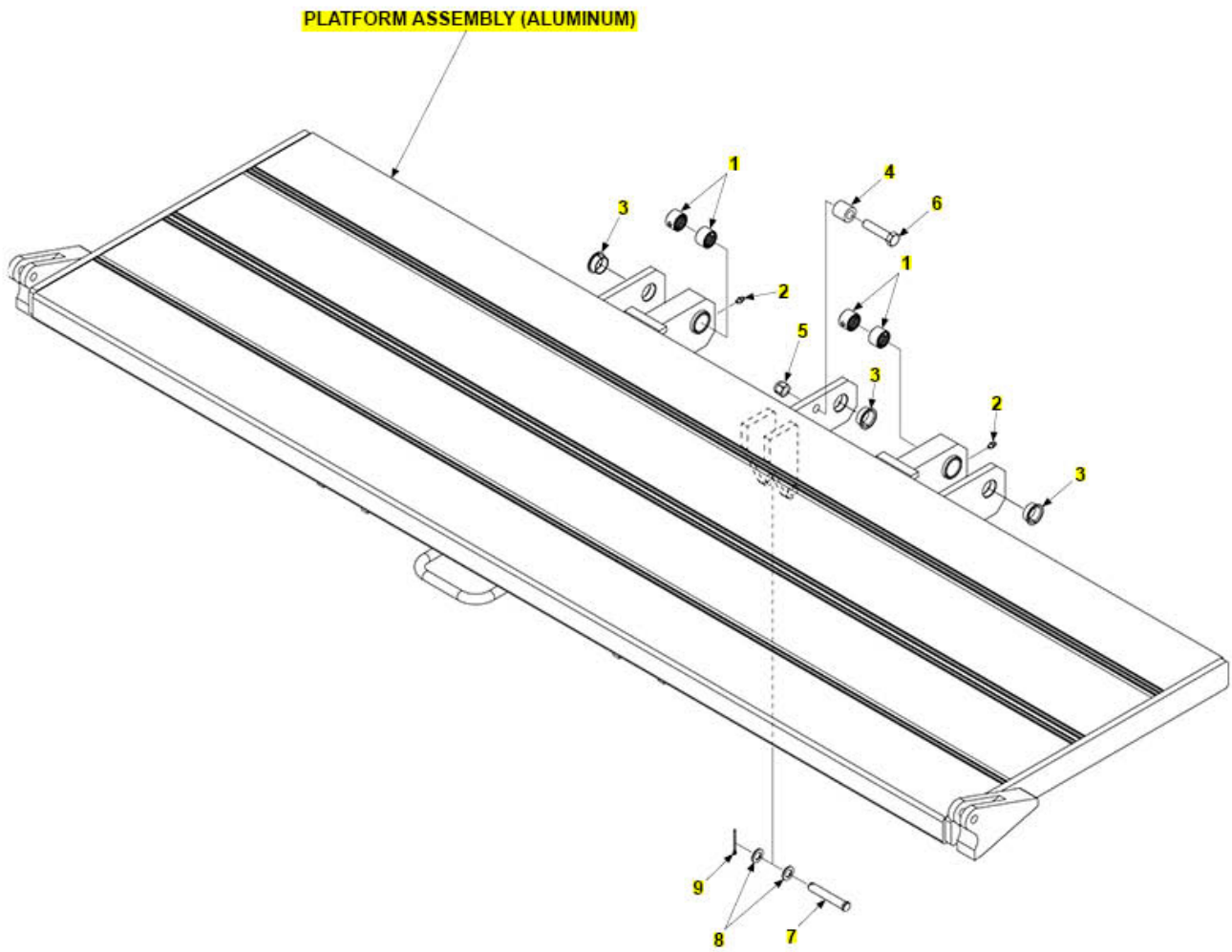


SPARE PARTS LIST

TE-15/20/25/30

TE-25/30 PLATFORM ASSEMBLY (ALUMINUM)

MAY 2017 to DEC 2020



**SPARE PARTS LIST****TE-15/20/25/30**

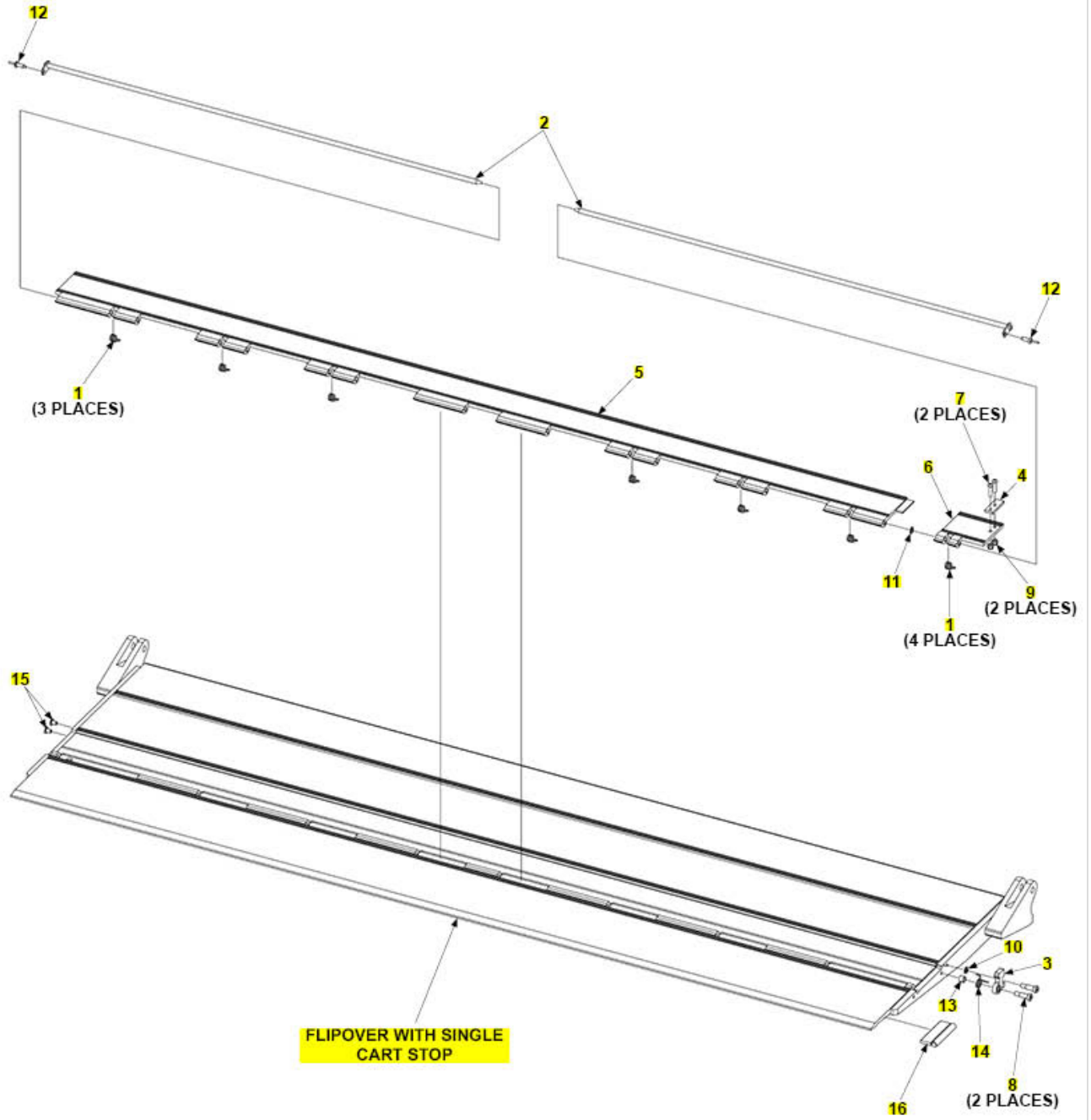
<b>Pos</b>	<b>CPN</b>	<b>Qty</b>	<b>Description</b>
REF	296893-03	1	P/F ASSY, AL 80 X 22
REF	296893-01	1	P/F ASSY, AL 80 X 24
REF	296893-02	1	P/F ASSY, AL 80 X 26
1	908178-01	4	BEARING,PRE LUBRICATING 1.00ID X .75 LG
2	224342	2	FITTING, GREASE 1/4"SELF DRILL
3	908002-03	3	BEARING,SELF LUB.1ID X.5 LG
4	286053-01	1	BUSHING, PLATFORM SPRING
5	901010	1	NUT, NYLON LOCK 1/2-13 ZC
6	900035-6	1	SCREW,CAP HXHD.5-13UNC-2A 2.25
7	261838	1	PIN, CLEVIS 1/2 X 3 ZINC
8	902000-14	2	WASHER, FLAT .500X.063 THK
9	030177	1	PIN COTTER 1/8X1-1/2 ZC

SPARE PARTS LIST

TE-15/20/25/30

TE-15/20 FLIPOVER WITH SINGLE CART STOP

NOV 2017 to DEC 2020



Spare Parts

**SPARE PARTS LIST**  
TE-15/20/25/30

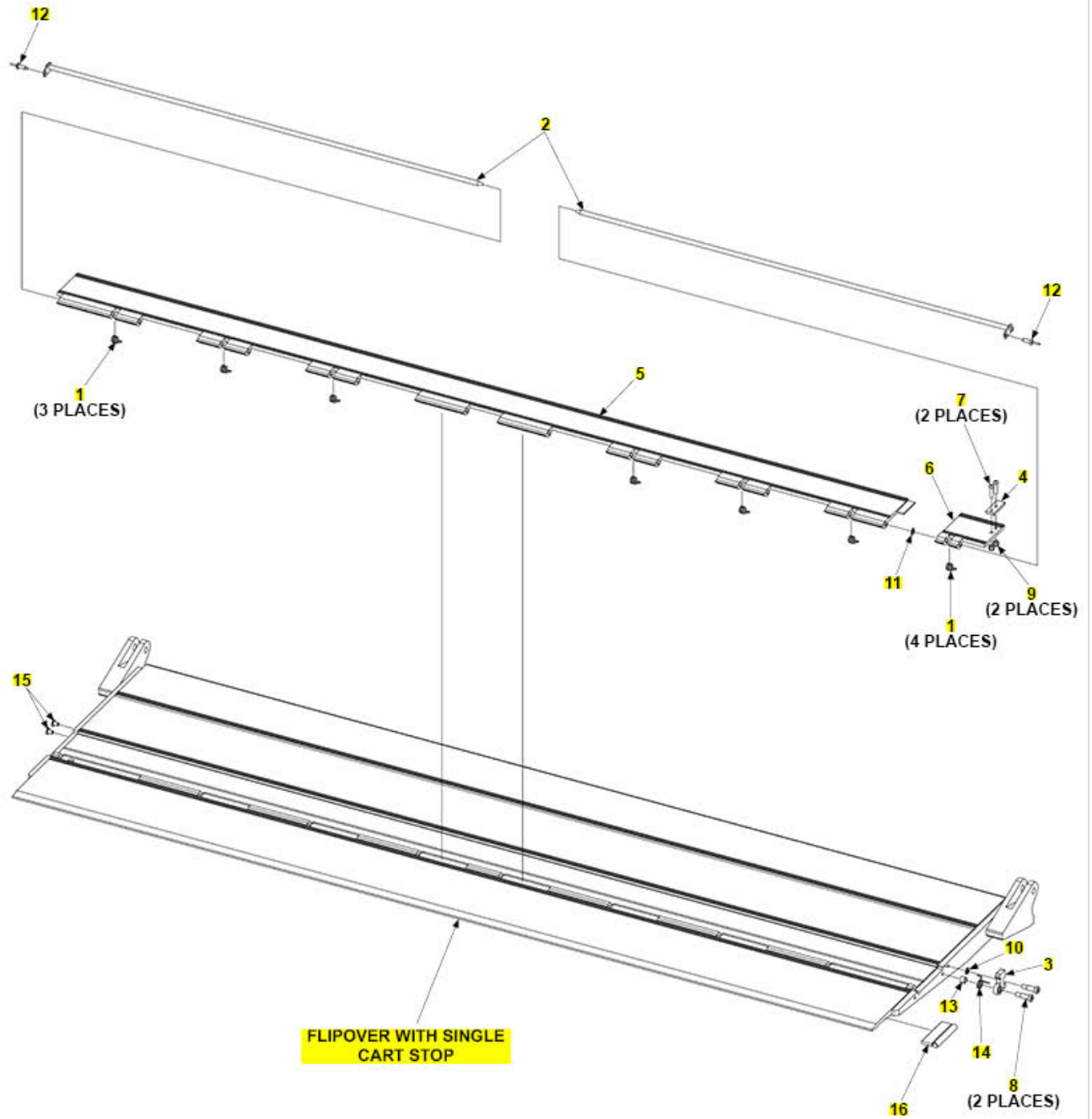
Pos	CPN	Qty	Description
REF	296895-05	1	F/O ASSY, AL, EXTRN HNG, SCS, 80X18
1	282729-01	7	SPRING, C/S .08 WIRE, 302 SS
2	282738-03	2	PIN WLDMT, CART STOP
3	282739-01	1	HOOK, CART STOP LOCKING
4	282748-01	1	FLAT, C/S LOCK SUPPORT
5	286055-01	1	SINGLE CART STOP, 80" F/O
6	286099-02	1	LOCK-HINGE, CART STOP, RH
7	900005-4	2	SCREW, BUTTON 1/4-20X1 ALLOY
8	900723-05	2	SCREW,SHLDR.38 X.75 LG,SS
9	901000	2	NUT, NYLON 1/4-20 ZINC
10	902000-8	1	WASHER, FLAT .312 .063 THK
11	903402-08	1	WASHER,FLAT,NYLON,.38ID X.56OD
12	903715-06	2	RIVET,BL/DM,AL/AL .25X.62-.75
13	905328-01	1	BEARING, NYL .38IDX.5ODX.38LG
14	282749-02	1	SPRING,RH HOOK,.078 WIRE,302SS
15	908022-07	2	PLUG, FLEXIBLE .275X.511
16	265819-01	1	HANDLE WELDMENT, AL, F/O

SPARE PARTS LIST

TE-15/20/25/30

TE-25/30 FLIPOVER WITH SINGLE CART STOP

MAY 2017 to DEC 2020



**SPARE PARTS LIST**

**TE-15/20/25/30**

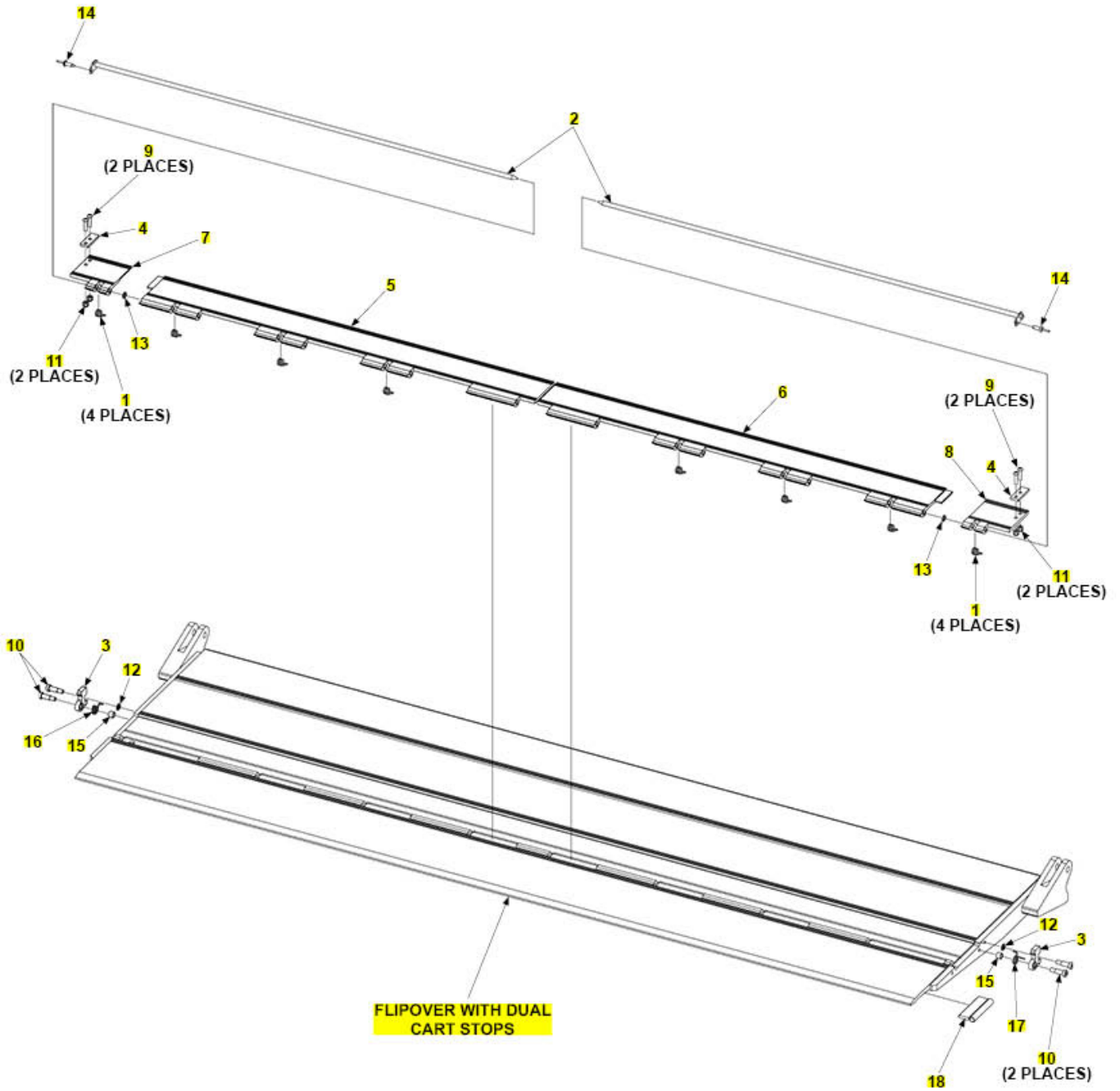
Pos	CPN	Qty	Description
REF	296895-01	1	F/O ASSY,AL,EXTRN HNG,SCS,80X24
REF	296895-02	1	F/O ASSY,AL,EXTRN HNG,SCS,80X26
1	282729-01	7	SPRING, C/S .08 WIRE, 302 SS
2	282738-03	2	PIN WLDMT, CART STOP
3	282739-01	1	HOOK, CART STOP LOCKING
4	282748-01	1	FLAT, C/S LOCK SUPPORT
5	286055-01	1	SINGLE CART STOP, 80" F/O
6	286099-02	1	LOCK-HINGE, CART STOP, RH
7	900005-4	2	SCREW, BUTTON 1/4-20X1 ALLOY
8	900723-05	2	SCREW,SHLDR.38 X.75 LG,SS
9	901000	2	NUT, NYLON 1/4-20 ZINC
10	902000-8	1	WASHER, FLAT .312 .063 THK
11	903402-08	1	WASHER,FLAT,NYLON,.38ID X.56OD
12	903715-06	2	RIVET,BL/DM,AL/AL .25X.62-.75
13	905328-01	1	BEARING, NYL .38IDX.5ODX.38LG
14	282749-02	1	SPRING,RH HOOK,.078 WIRE,302SS
15	908022-07	2	PLUG, FLEXIBLE .275X.511
16	265819-01	1	HANDLE WELDMENT, AL, F/O

SPARE PARTS LIST

TE-15/20/25/30

TE-15/20 FLIPOVER WITH DUAL CART STOPS

NOV 2017 to DEC 2020



**SPARE PARTS LIST****TE-15/20/25/30**

<b>Pos</b>	<b>CPN</b>	<b>Qty</b>	<b>Description</b>
REF	296895-06	1	F/O ASSY, AL, EXTRN HNG, DCS, 80X18
1	282729-01	8	SPRING, C/S .08 WIRE, 302 SS
2	282738-03	2	PIN WLDMT, CART STOP
3	282739-01	2	HOOK, CART STOP LOCKING
4	282748-01	2	FLAT, C/S LOCK SUPPORT
5	286055-02	1	DUAL CART STOP, LH, 80" F/O
6	286055-03	1	DUAL CART STOP, RH, 80" F/O
7	286099-01	1	LOCK-HINGE, CART STOP, LH
8	286099-02	1	LOCK-HINGE, CART STOP, RH
9	900005-4	4	SCREW, BUTTON 1/4-20X1 ALLOY
10	900723-05	4	SCREW,SHLDR.38 X.75 LG,SS
11	901000	4	NUT, NYLON 1/4-20 ZINC
12	902000-8	2	WASHER, FLAT .312 .063 THK
13	903402-08	2	WASHER,FLAT,NYLON,.38ID X.56OD
14	903715-06	2	RIVET,BL/DM,AL/AL .25X.62-.75
15	905328-01	2	BEARING, NYL .38IDX.50DX.38LG
16	282749-01	1	SPRING,LH HOOK,.078 WIRE,302SS
17	282749-02	1	SPRING,RH HOOK,.078 WIRE,302SS
18	265819-01	1	HANDLE WELDMENT, AL, F/O

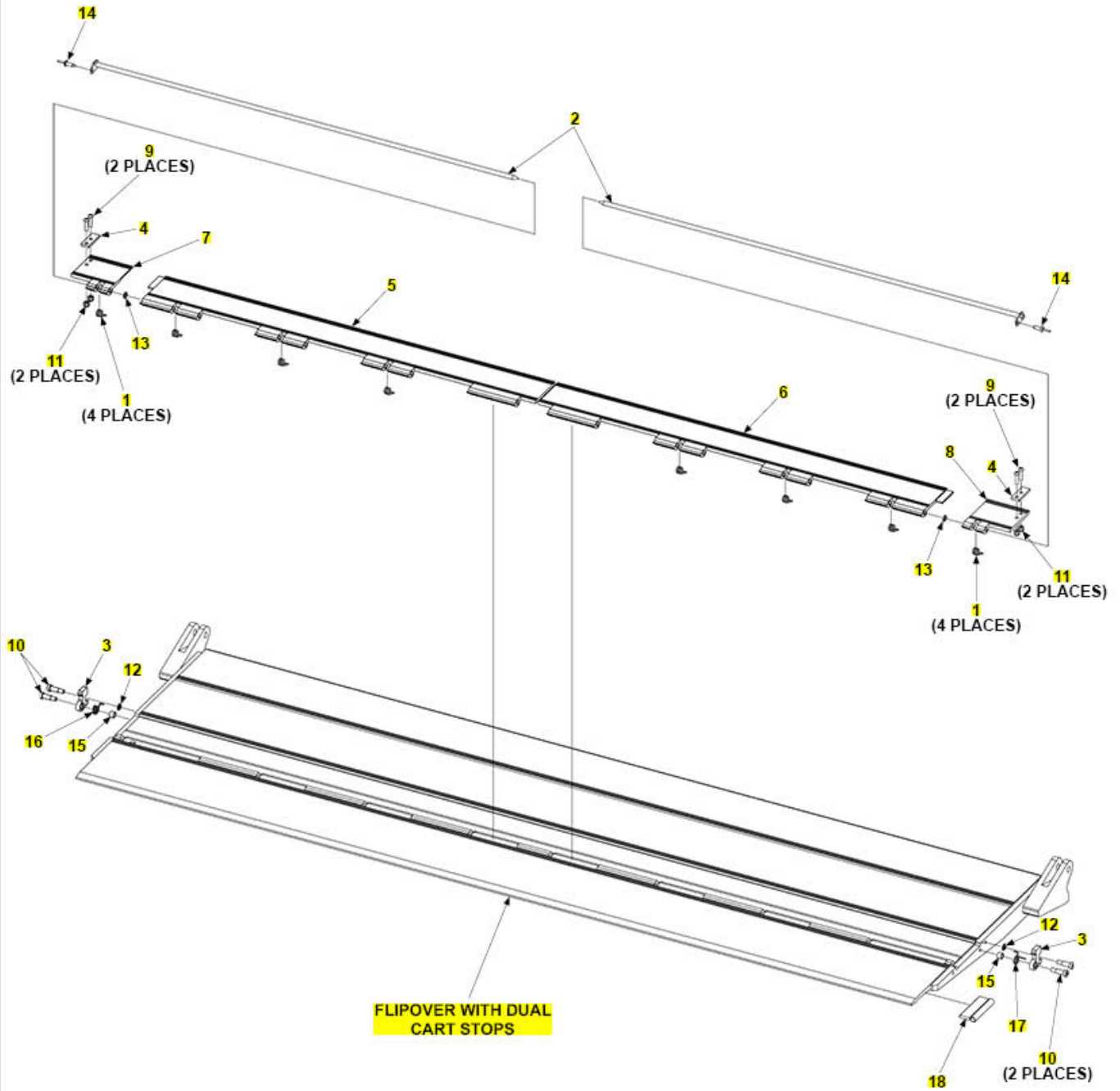


SPARE PARTS LIST

TE-15/20/25/30

TE-25/30 FLIPOVER WITH DUAL CART STOPS

MAY 2017 to DEC 2020



**SPARE PARTS LIST**  
TE-15/20/25/30

Pos	CPN	Qty	Description
REF	296895-03	1	F/O ASSY,AL,EXTRN HNG,DCS,80X24
REF	296895-04	1	F/O ASSY,AL,EXTRN HNG,DCS,80X26
1	282729-01	8	SPRING, C/S .08 WIRE, 302 SS
2	282738-03	2	PIN WLDMT, CART STOP
3	282739-01	2	HOOK, CART STOP LOCKING
4	282748-01	2	FLAT, C/S LOCK SUPPORT
5	286055-02	1	DUAL CART STOP, LH, 80" F/O
6	286055-03	1	DUAL CART STOP, RH, 80" F/O
7	286099-01	1	LOCK-HINGE, CART STOP, LH
8	286099-02	1	LOCK-HINGE, CART STOP, RH
9	900005-4	4	SCREW, BUTTON 1/4-20X1 ALLOY
10	900723-05	4	SCREW,SHLDR.38 X.75 LG,SS
11	901000	4	NUT, NYLON 1/4-20 ZINC
12	902000-8	2	WASHER, FLAT .312 .063 THK
13	903402-08	2	WASHER,FLAT,NYLON,.38ID X.56OD
14	903715-06	2	RIVET,BL/DM,AL/AL .25X.62-.75
15	905328-01	2	BEARING, NYL .38IDX.5ODX.38LG
16	282749-01	1	SPRING,LH HOOK,.078 WIRE,302SS
17	282749-02	1	SPRING,RH HOOK,.078 WIRE,302SS
18	265819-01	1	HANDLE WELDMENT, AL, F/O

## SPARE PARTS LIST

TE-15/20/25/30

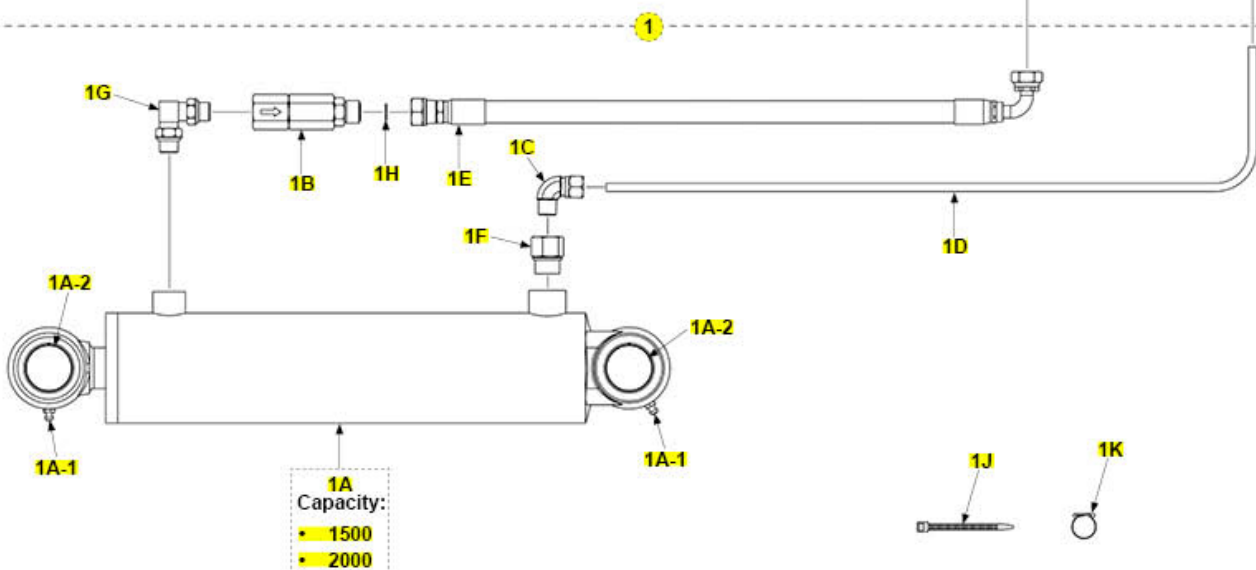
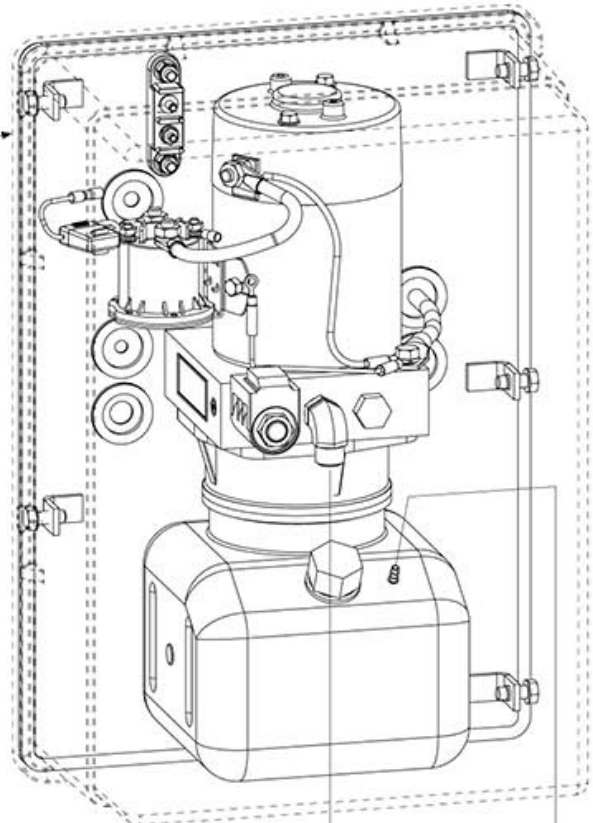
## TE-15/20 HYDRAULIC SYSTEMS - GRAVITY DOWN

NOV 2017 to DEC 2020

NOTE: Replacement face seal fittings come with required O-rings.

PUMP ASSEMBLY (GRAVITY DOWN)

- 12V
- 24V



**SPARE PARTS LIST****TE-15/20/25/30**

<b>Pos</b>	<b>CPN</b>	<b>Qty</b>	<b>Description</b>
1	287055-01	1	KIT,CYL,FITTING & HOSE,GD PMP,TE-25/TE-150
1	287055-03	1	KIT,CYL,FITTING & HOSE,GD PMP,TE-30/TE-20
1A.1	297522-01	1	CYL DIA 3.00 BORE X 10ST. S/LB/BUSH
1A.2	297523-01	1	CYL 3.5 BRX10"ST.S/LB/BUSH
1A-1	224342	2	FITTING, GREASE 1/4" SELF DRILL
1A-2	905112-03	4	BEARING,SELF LUBE1.375 X 1.375
1B	298878-01	1	PRESSURE COMP. VALVE ASSY, 2GPM TE'S
1C	202406	1	ELBOW BRASS 1/4 X 1/4"
1D	224370-07	1	HOSE PLASTIC X 60.50"LG .25
1E	298024-01	1	H/A,3/8HP, SAENO.6,F,SW 90 DEGREES, UP LINE
1F	906925-01	1	PIPE ADAPTER, SAE-ORB/NPTF, 8-1/4
1G	906722-01	1	ELBOW, 90 NPSC O-RING #6M-M
1H	906712-02	1	O-RING #6, 3/8 ORFS TUBE END
1J	205780	8	TIE, PLASTIC 7" (50 LB)
1K	287513-01	1	NYLON HOSE CLAMP 0.39 I.D. X .22 LONG

## SPARE PARTS LIST

TE-15/20/25/30

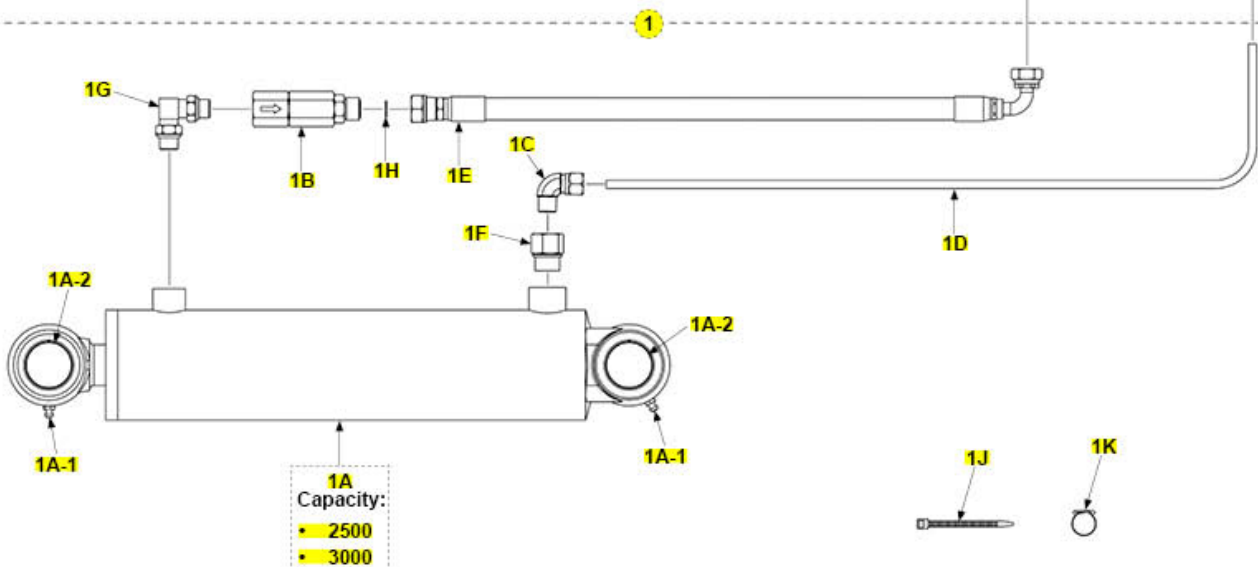
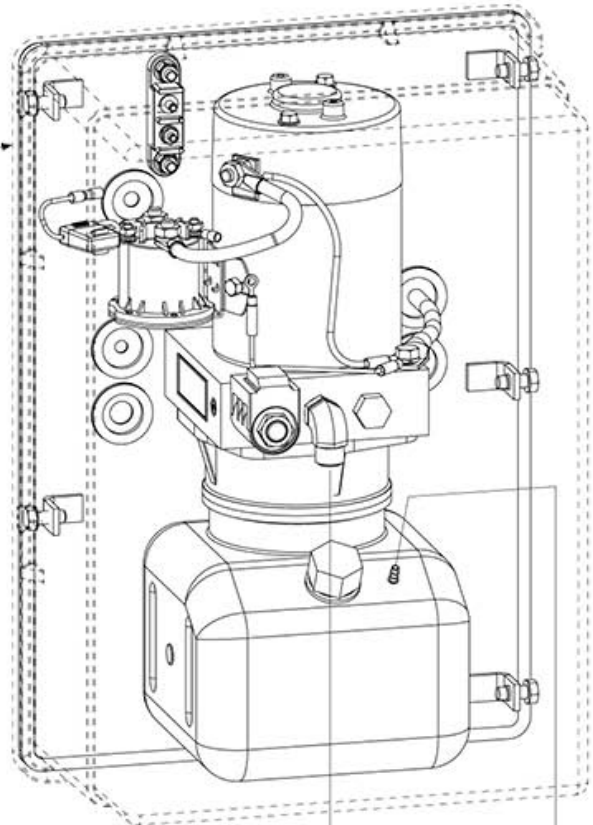
## TE-25/30 HYDRAULIC SYSTEMS - GRAVITY DOWN

MAY 2017 to DEC 2020

NOTE: Replacement face seal fittings come with required O-rings.

PUMP ASSEMBLY (GRAVITY DOWN)

- 12V
- 24V



## SPARE PARTS LIST

TE-15/20/25/30

Pos	CPN	Qty	Description
1	287055-01	1	KIT,CYL,FITTING & HOSE,GD PMP,TE-25/TE-150
1	287055-03	1	KIT,CYL,FITTING & HOSE,GD PMP,TE-30/TE-20
1A.1	297522-01	1	CYL DIA 3.00 BORE X 10ST. S/LB/BUSH
1A.2	297523-01	1	CYL 3.5 BRX10"ST.S/LB/BUSH
1A-1	224342	2	FITTING, GREASE 1/4" SELF DRILL
1A-2	905112-03	4	BEARING,SELF LUBE1.375 X 1.375
1B	298878-01	1	PRESSURE COMP. VALVE ASSY, 2GPM TE'S
1C	202406	1	ELBOW BRASS 1/4 X 1/4"
1D	224370-07	1	HOSE PLASTIC X 60.50"LG .25
1E	298024-01	1	H/A,3/8HP, SAENO.6,F,SW 90 DEGREES, UP LINE
1F	906925-01	1	PIPE ADAPTER, SAE-ORB/NPTF, 8-1/4
1G	906722-01	1	ELBOW, 90 NPSC O-RING #6M-M
1H	906712-02	1	O-RING #6, 3/8 ORFS TUBE END
1J	205780	8	TIE, PLASTIC 7" (50 LB)
1K	287513-01	1	NYLON HOSE CLAMP 0.39 I.D. X .22 LONG

## SPARE PARTS LIST

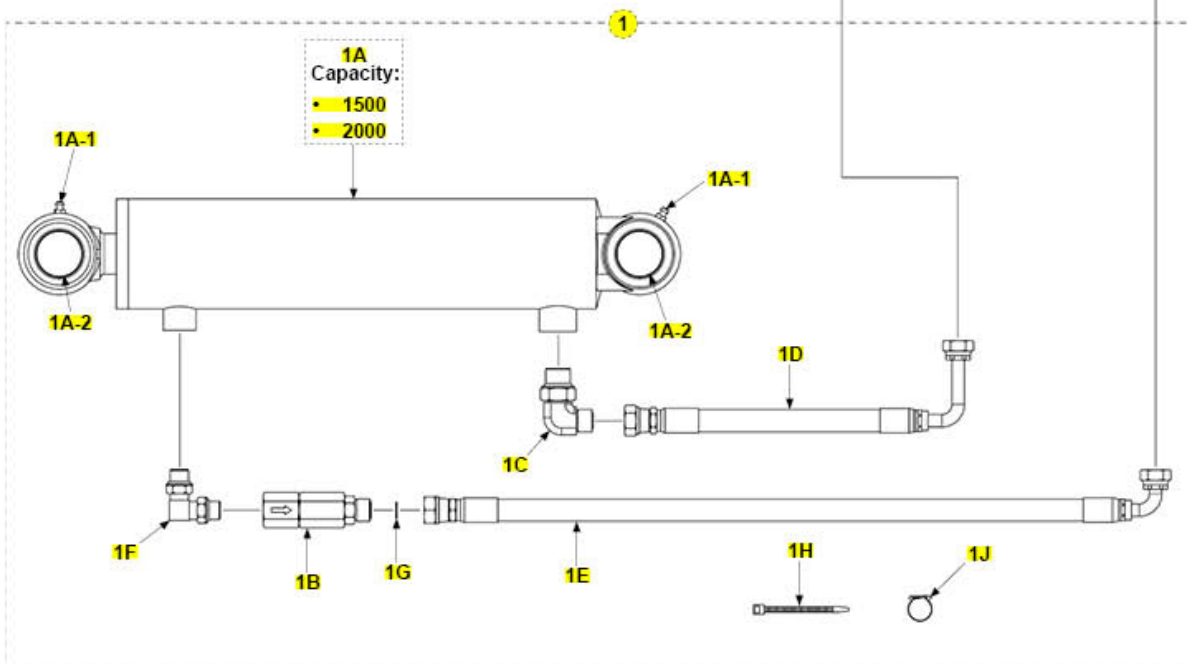
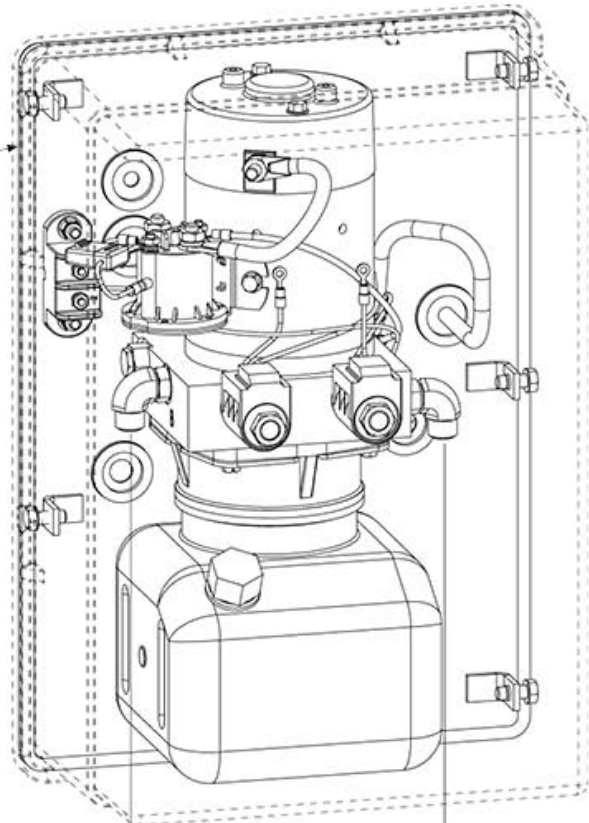
TE-15/20/25/30

## TE-15/20 HYDRAULIC SYSTEMS - POWER DOWN

NOV 2017 to DEC 2020

NOTE: Replacement face seal fittings come with required O-rings.

PUMP ASSEMBLY  
(POWER DOWN)



**SPARE PARTS LIST**

**TE-15/20/25/30**

Pos	CPN	Qty	Description
1	287055-02	1	KIT,CYL,FITTING & HOSE,PD PMP,TE-25/TE-150
1	287055-04	1	KIT,CYL,FITTING & HOSE,PD PMP,TE-30/TE-20
1A.1	297522-01	1	CYL DIA 3.00 BORE X 10ST. S/LB/BUSH
1A.2	297523-01	1	CYL 3.5 BRX10"ST.S/LB/BUSH
1A-1	224342	2	FITTING, GREASE 1/4" SELF DRILL
1A-2	905112-03	4	BEARING,SELF LUBE1.375 X 1.375
1B	298878-01	1	PRESSURE COMP. VALVE ASSY, 2GPM TE'S
1C	906924-01	1	ELBOW, STR THD, #6 ORFS/#8 SAE-ORB
1D	298023-01	1	H/A, 3/8HP, SAENO.6,F, SW 90 DEGREES, DN LINE
1E	298024-01	1	H/A,3/8HP, SAENO.6,F,SW 90 DEGREES, UP LINE
1F	906722-01	1	ELBOW, 90 NPSC O-RING #6M-M
1G	906712-02	1	O-RING #6, 3/8 ORFS TUBE END
1H	205780	8	TIE, PLASTIC 7" (50 LB)
1J	287513-01	1	NYLON HOSE CLAMP 0.39 I.D. X .22 LONG



SPARE PARTS LIST

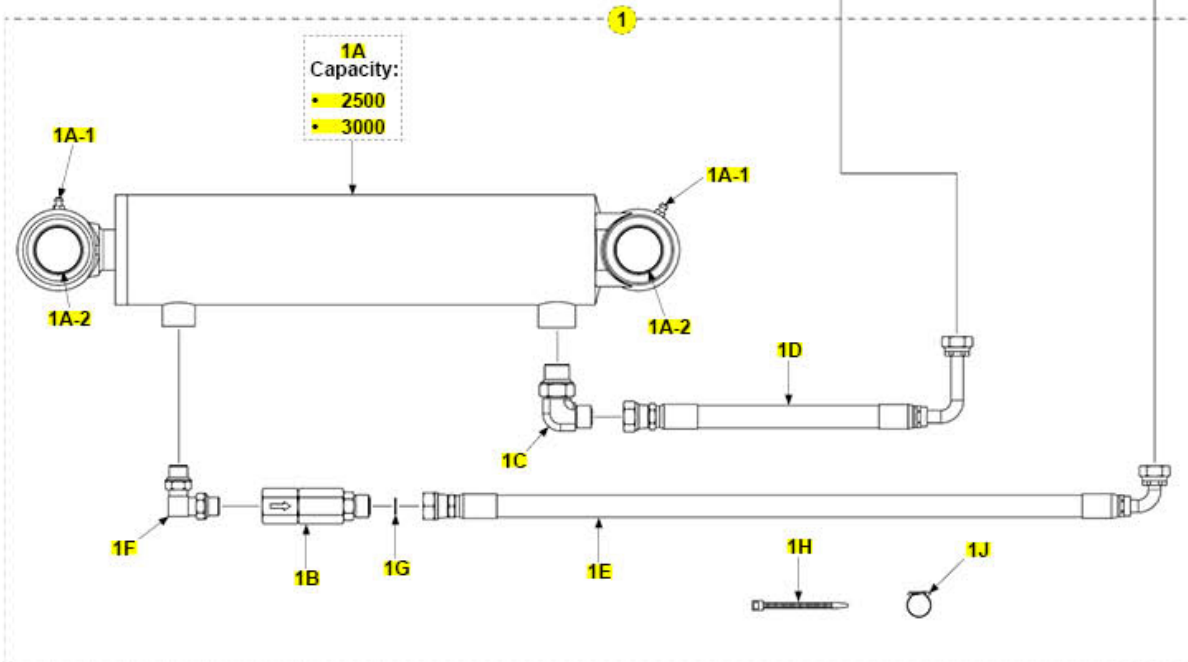
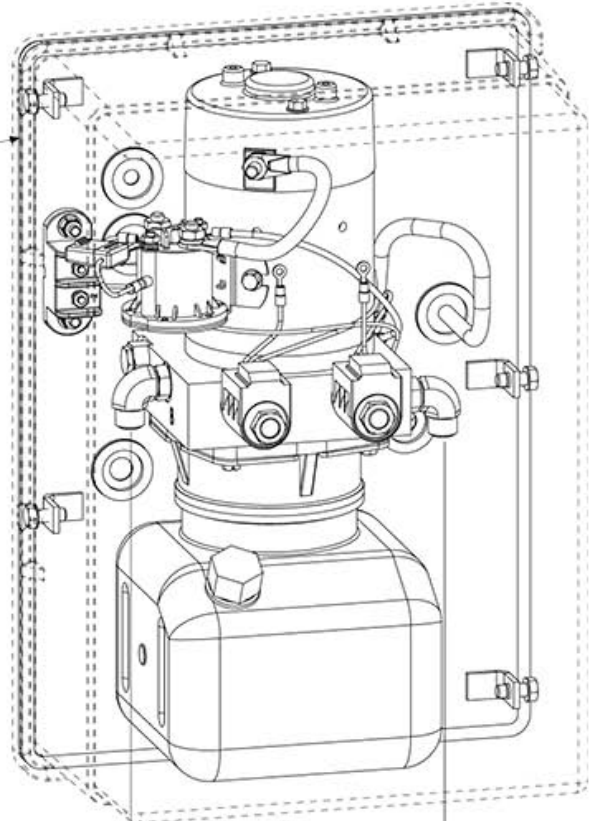
TE-15/20/25/30

TE-25/30 HYDRAULIC SYSTEMS - POWER DOWN

MAY 2017 to DEC 2020

NOTE: Replacement face seal fittings come with required O-rings.

PUMP ASSEMBLY  
(POWER DOWN)



**SPARE PARTS LIST**

**TE-15/20/25/30**

Pos	CPN	Qty	Description
1	287055-02	1	KIT,CYL,FITTING & HOSE,PD PMP,TE-25/TE-150
1	287055-04	1	KIT,CYL,FITTING & HOSE,PD PMP,TE-30/TE-20
1A.1	297522-01	1	CYL DIA 3.00 BORE X 10ST. S/LB/BUSH
1A.2	297523-01	1	CYL 3.5 BRX10"ST.S/LB/BUSH
1A-1	224342	2	FITTING, GREASE 1/4" SELF DRILL
1A-2	905112-03	4	BEARING,SELF LUBE1.375 X 1.375
1B	298878-01	1	PRESSURE COMP. VALVE ASSY, 2GPM TE'S
1C	906924-01	1	ELBOW, STR THD, #6 ORFS/#8 SAE-ORB
1D	298023-01	1	H/A, 3/8HP, SAENO.6,F, SW 90 DEGREES, DN LINE
1E	298024-01	1	H/A,3/8HP, SAENO.6,F,SW 90 DEGREES, UP LINE
1F	906722-01	1	ELBOW, 90 NPSC O-RING #6M-M
1G	906712-02	1	O-RING #6, 3/8 ORFS TUBE END
1H	205780	8	TIE, PLASTIC 7" (50 LB)
1J	287513-01	1	NYLON HOSE CLAMP 0.39 I.D. X .22 LONG

## SPARE PARTS LIST

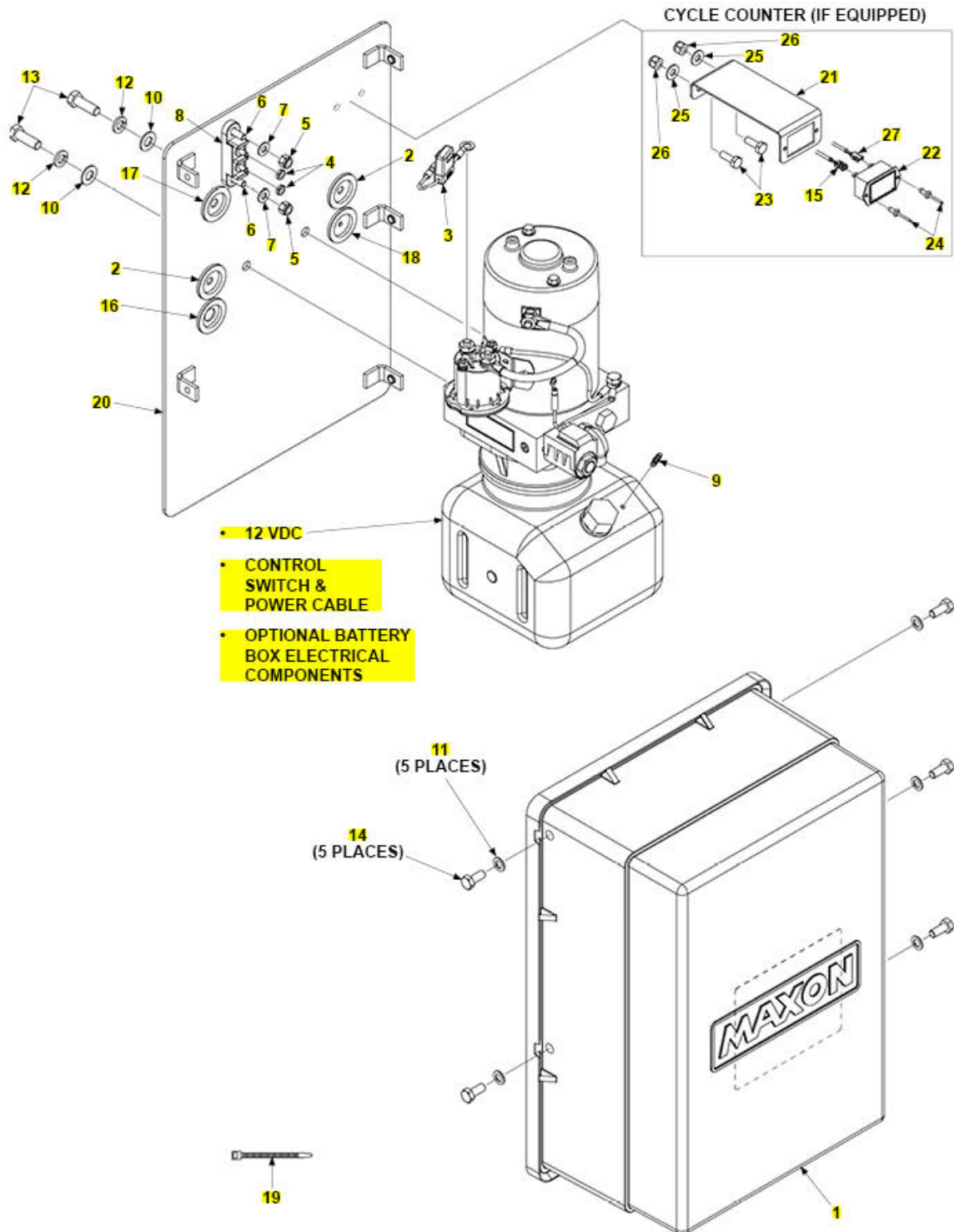
TE-15/20/25/30

## PUMP ASSEMBLY (GRAVITY DOWN 12V)

COMPLETE ASSEMBLY:

PUMP ASSEMBLY (GRAVITY DOWN 12V)

MAY 2017 to DEC 2020



## SPARE PARTS LIST

TE-15/20/25/30

Pos	CPN	Qty	Description
REF	287070-01G	1	PUMP ASSY,12V,G/D,G
REF	287070-03G	1	PUMP ASSY,12V,CC,G/D,G
1	266419-01	1	COVER ASSY, TUK-A-WAY PUMP
2	266428-03	2	GROMMET, 1.0 DIA DIAPH .31 DIA HOLE
3	297046-01	1	FUSE HOLDER ASSY
4	903107-06	2	NUT, HEX 10-24 UNC SS
5	903137-01	2	NUT, NYL INSRT STOP .25-20 SS
6	900000-4	2	BOLT, HX 1/4-20X1 GR8 ZC
7	903412-01	2	WASHER,FLAT .25,SS
8	907279-01	1	JUNCTION BLOCK, TWO STUD
9	906728-01	1	FTG, TUBE, DUAL BARBED .170 ID
10	902013-11	2	WASHER, FLAT 3/8" ZC
11	902000-7	5	WASHER, FLAT .312 .032 THK
12	902011-4	2	WASHER, LOCK 3/8X.094 ZC
13	900014-21	2	SCREW, HEX CAP .38-16X1.125, G8, ZC
14	900009-3	5	BOLT,HEX 5/16-18X3/4 GR8 ZC
15	297274-02	1	WIRE ASSY, POS LOCK, RING TERM,RED
16	266428-06	1	GROMMET, 1.0 DIAPH .56 HOLE
17	266428-04	1	GROMMET, 1.0 DIAPH .38 HOLE
18	266428-01	1	GROMMET, 1.0 DIAPH .19 HOLE
19	205780	2	TIE, PLASTIC 7" (50 LB)
20	296921-01G	1	PLATE,PUMP MOUNT,WLDMT,G/D,G
21	297358-01	1	BRACKET, DIGITAL C/COUNT
22	297269-01	1	DIGITAL CYCLE COUNTER
23	900004-2	2	SCREW, CAP 1/4-20X3/4 GR8 ZC
24	903721-01	2	RIVET, BL/DM, SS .16X.02-.13
25	902013-09	2	WASHER1/4"ZINC-SAME030564
26	901000	2	NUT, NYLON 1/4-20 ZINC
27	297274-01	1	WIRE ASSY, POS LOCK, RING TERM,BLK

## SPARE PARTS LIST

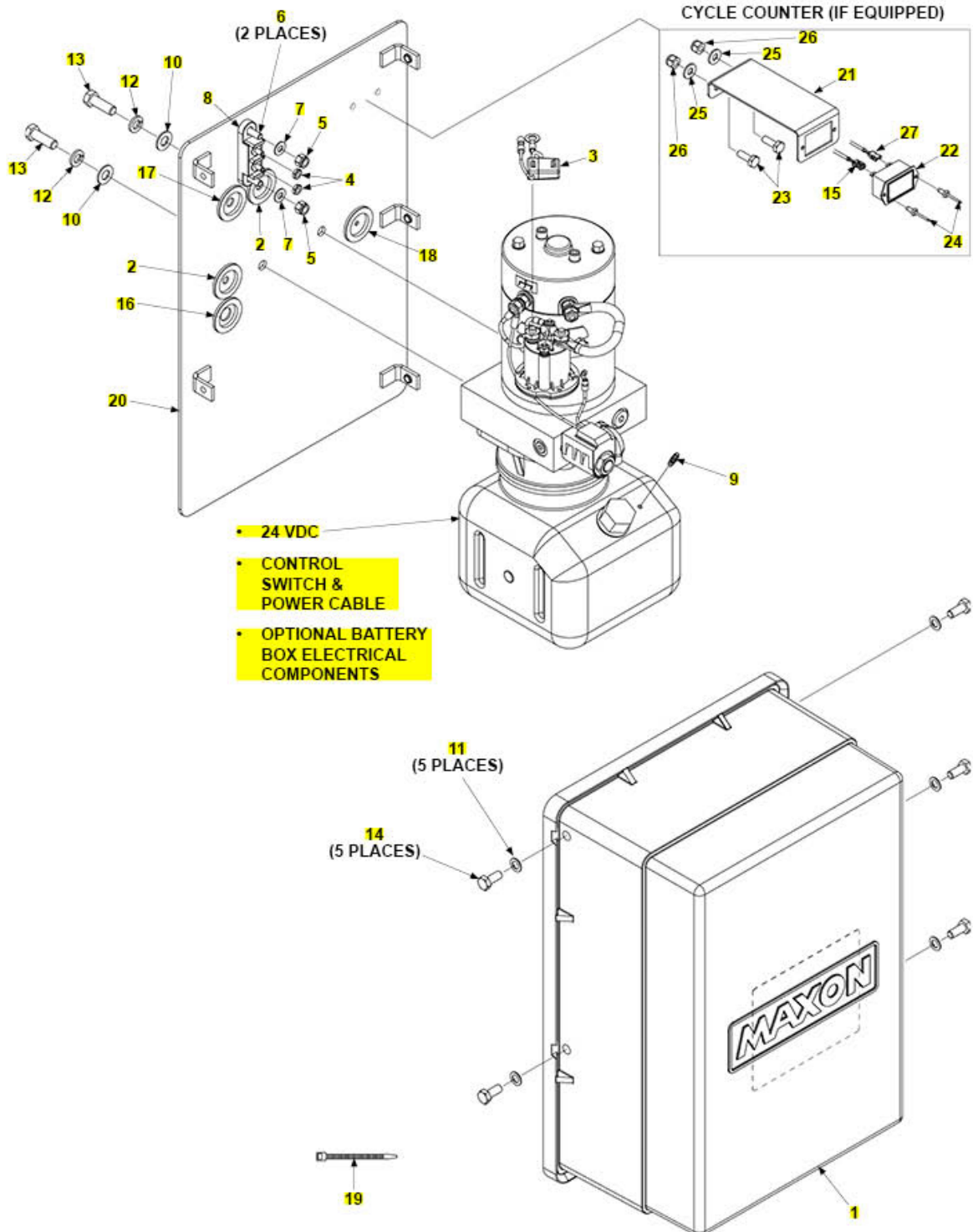
TE-15/20/25/30

## PUMP ASSEMBLY (GRAVITY DOWN 24V)

COMPLETE ASSEMBLY:

PUMP ASSEMBLY (GRAVITY DOWN 24V)

MAY 2017 to DEC 2020



**SPARE PARTS LIST**

**TE-15/20/25/30**

Pos	CPN	Qty	Description
REF	287070-02G	1	PUMP ASSY,24V.G/D,G
REF	287070-04G	1	PUMP ASSY,24V,CC,G/D,G
1	266419-01	1	COVER ASSY, TUK-A-WAY PUMP
2	266428-03	2	GROMMET, 1.0 DIA DIAPH .31 DIA HOLE
3	297046-01	1	FUSE HOLDER ASSY
4	903107-06	2	NUT, HEX 10-24 UNC SS
5	903137-01	2	NUT, NYL INSRT STOP .25-20 SS
6	900000-4	2	BOLT, HX 1/4-20X1 GR8 ZC
7	903412-01	2	WASHER,FLAT .25,SS
8	907279-01	1	JUNCTION BLOCK, TWO STUD
9	906728-01	1	FTG, TUBE, DUAL BARBED .170 ID
10	902013-11	2	WASHER, FLAT 3/8" ZC
11	902000-7	5	WASHER, FLAT .312 .032 THK
12	902011-4	2	WASHER, LOCK 3/8X.094 ZC
13	900014-21	2	SCREW, HEX CAP .38-16X1.125, G8, ZC
14	900009-3	5	BOLT,HEX 5/16-18X3/4 GR8 ZC
15	297274-02	1	WIRE ASSY, POS LOCK, RING TERM,RED
16	266428-06	1	GROMMET, 1.0 DIAPH .56 HOLE
17	266428-04	1	GROMMET, 1.0 DIAPH .38 HOLE
18	266428-01	1	GROMMET, 1.0 DIAPH .19 HOLE
19	205780	3	TIE, PLASTIC 7" (50 LB)
20	296921-03G	1	PLATE, PUMP MOUNT, WLDMT,24V,G
20	296921-04G	1	PLATE, PUMP MOUNT, WLDMT,CC,24V,G
21	297358-01	1	BRACKET, DIGITAL C/COUNT
22	297269-01	1	DIGITAL CYCLE COUNTER
23	900004-2	2	SCREW, CAP 1/4-20X3/4 GR8 ZC
24	903721-01	2	RIVET, BL/DM, SS .16X.02-.13
25	902013-09	2	WASHER1/4"ZINC-SAME030564
26	901000	2	NUT, NYLON 1/4-20 ZINC
27	297274-01	1	WIRE ASSY, POS LOCK, RING TERM,BLK

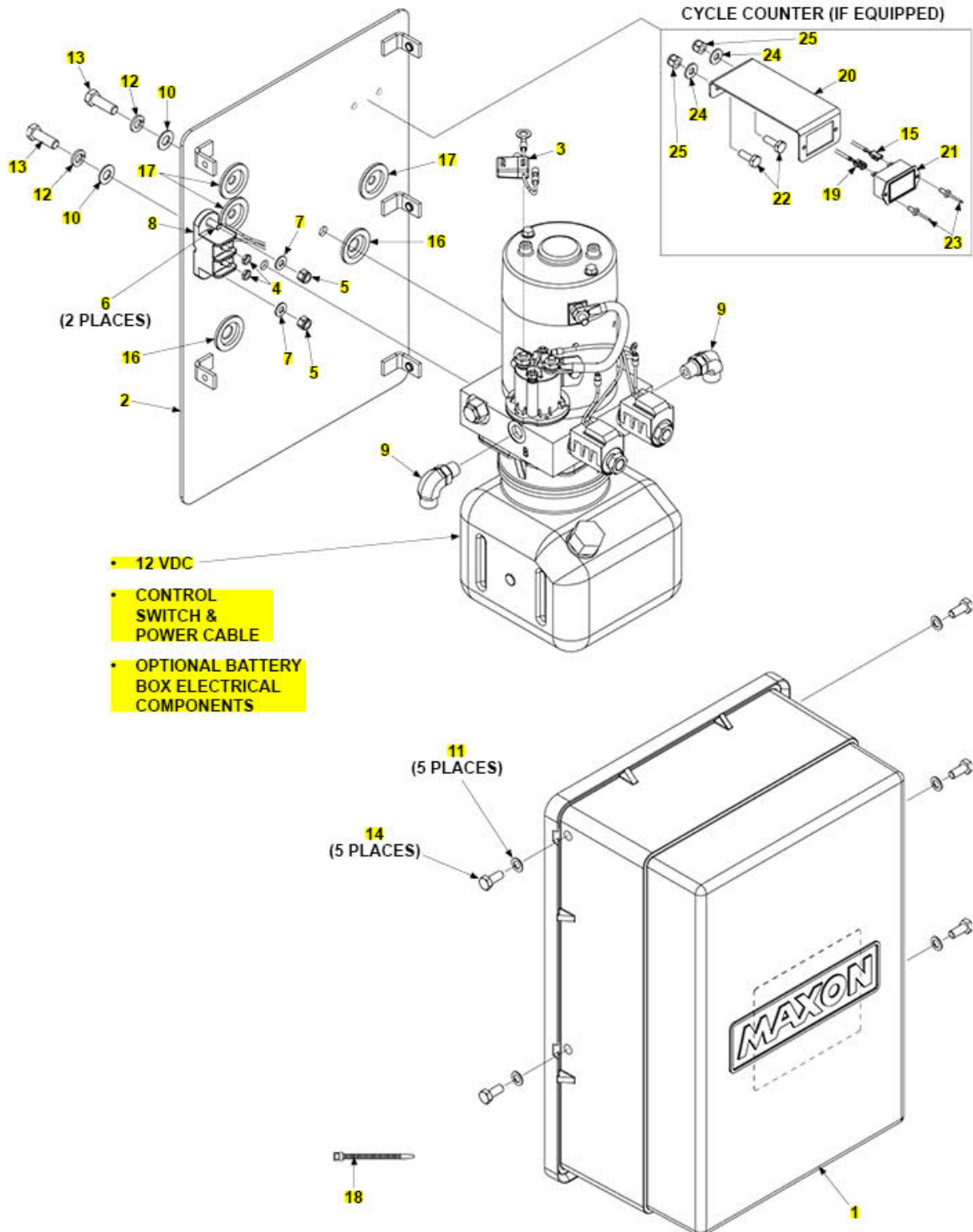
**SPARE PARTS LIST**

TE-15/20/25/30

**PUMP ASSEMBLY (POWER DOWN)**

COMPLETE ASSEMBLY:  
**PUMP ASSEMBLY (POWER DOWN)**

MAY 2017 to DEC 2020



## SPARE PARTS LIST

TE-15/20/25/30

Pos	CPN	Qty	Description
REF	287075-01G	1	PUMP ASSY,12V,P/D,G
REF	287075-02G	1	PUMP ASSY,12V,P/D,CC,G
1	266419-01	1	COVER ASSY, TUK-A-WAY PUMP
2	296919-01G	1	PLATE WLDMT, P/D PMP MT, GALV
3	297046-01	1	FUSE HOLDER ASSY
4	903172-01	2	NUT, NYL INSRT STOP 10-32 SS
5	903137-01	2	NUT, NYL INSRT STOP .25-20 SS
6	900000-4	2	BOLT, HX 1/4-20X1 GR8 ZC
7	903412-01	2	WASHER,FLAT .25,SS
8	296859-01	1	POWER DOWN MODULE
9	906707-01	2	ELBOW, NPSC,SAE #6 F/S O-R M-M
10	902013-11	2	WASHER, FLAT 3/8" ZC
11	902000-7	5	WASHER, FLAT .312 .032 THK
12	902011-4	2	WASHER, LOCK 3/8X.094 ZC
13	900014-21	2	SCREW, HEX CAP .38-16X1.125, G8, ZC
14	900009-3	5	BOLT,HEX 5/16-18X3/4 GR8 ZC
15	297274-01	1	WIRE ASSY, POS LOCK, RING TERM,BLK
16	266428-06	2	GROMMET, 1.0 DIAPH .56 HOLE
17	266428-04	3	GROMMET, 1.0 DIAPH .38 HOLE
18	205780	3	TIE, PLASTIC 7" (50 LB)
19	297274-02	1	WIRE ASSY, POS LOCK, RING TERM,RED
20	297358-01	1	BRACKET, DIGITAL C/COUNT
21	297269-01	1	DIGITAL CYCLE COUNTER
22	900004-2	2	SCREW, CAP 1/4-20X3/4 GR8 ZC
23	903721-01	2	RIVET, BL/DM, SS .16X.02-.13
24	902013-09	2	WASHER1/4"ZINC-SAME030564
25	901000	2	NUT, NYLON 1/4-20 ZINC



## SPARE PARTS LIST

TE-15/20/25/30

## 12 VDC POWER UNIT (GRAVITYDOWN)

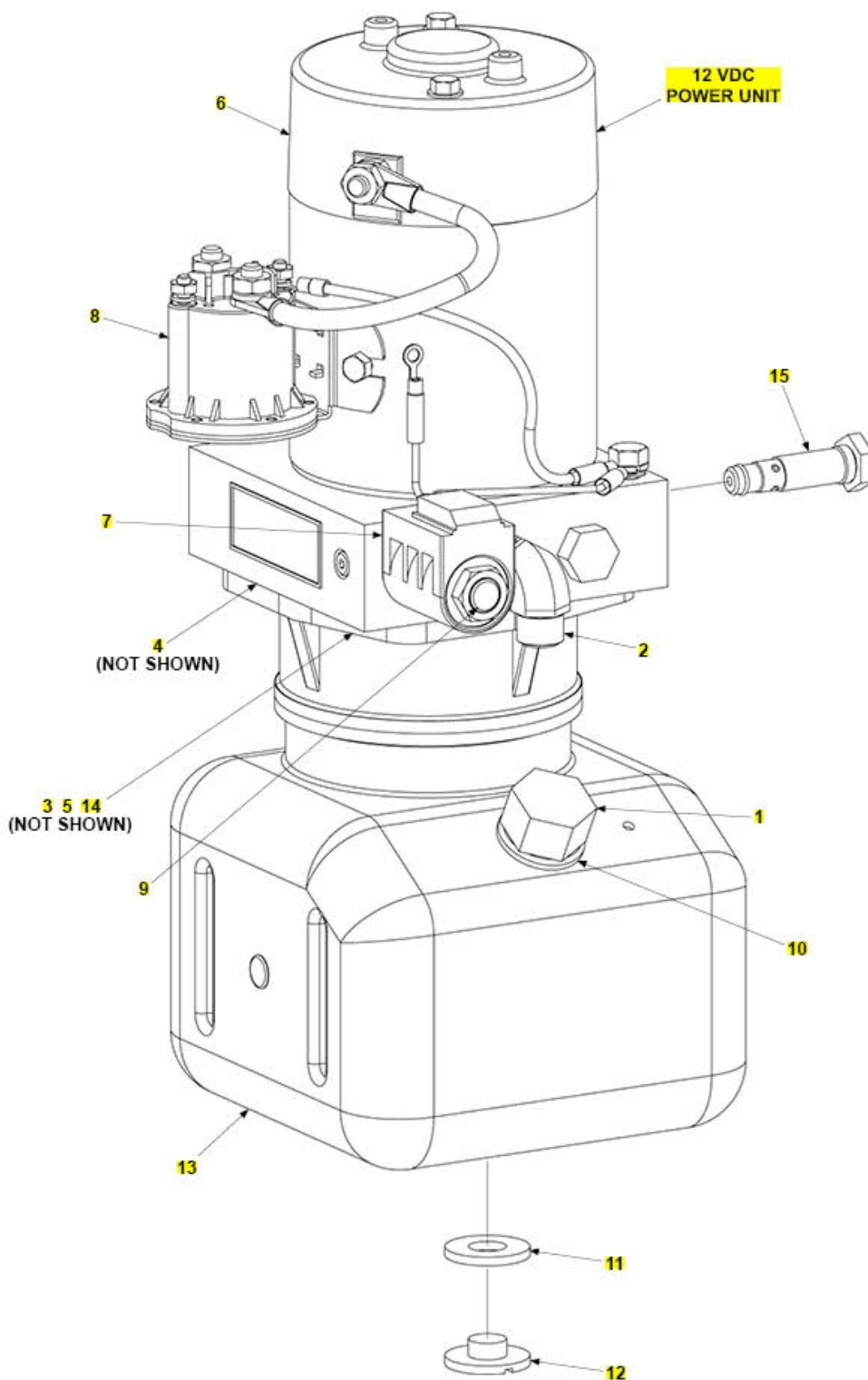
MAY 2017 to present

**CAUTION**

Do not over-tighten the terminal nuts on starter solenoid. For the load terminals, torque nuts to 40 lbs.-in. max. Torque the nuts on #10-32 control terminals 15-20 lbs.-in.

**CAUTION**

To prevent damage when installing 2-way valves, torque valve cartridge nut to 30 lbs.-in. max.



**SPARE PARTS LIST****TE-15/20/25/30**

<b>Pos</b>	<b>CPN</b>	<b>Qty</b>	<b>Description</b>
REF	287071-01	1	12 VDC PWR UNIT, G/D, TUK-A-WAY
1	280806-01	1	FILLER, BREATHER
2	906707-01	1	ELBOW, NPSC,SAE #6 F/S O-R M-M
3	260261	1	OIL SEAL,PUMP
4	290061	1	SEAL SQUARE CUT PL RESERVOIR
5	290020	1	O-RING, KEPNER CHECK VALVE
6	290175-01	1	12VDC MOTOR W/OUT TERM SW
7	290210	1	12 VDC COIL, DOUBLE LEADS (PDL12) (39002186)
8	284080-01	1	SWITCH, SOLENOID ASSY
9	290215	1	VALVE 2P2W NC DELTA (38502314)
10	908016-01	1	GROMMET, RUBBER, .60 ID
11	290209	1	WASHER, .56 ID X 1.25 OD (61200504)
12	290208	1	PLUG, 9/16-18, PLASTIC TANK (35901162)
13	290207	1	RESERVOIR, PLASTIC, 8.00 LG (32301527)
14	906781-01	1	PUMP ASSY,203,GPT P/D
15	906737-01	1	CARTRIDGE RELIEF VALVE

## SPARE PARTS LIST

TE-15/20/25/30

## 24 VDC POWER UNIT (GRAVITYDOWN)

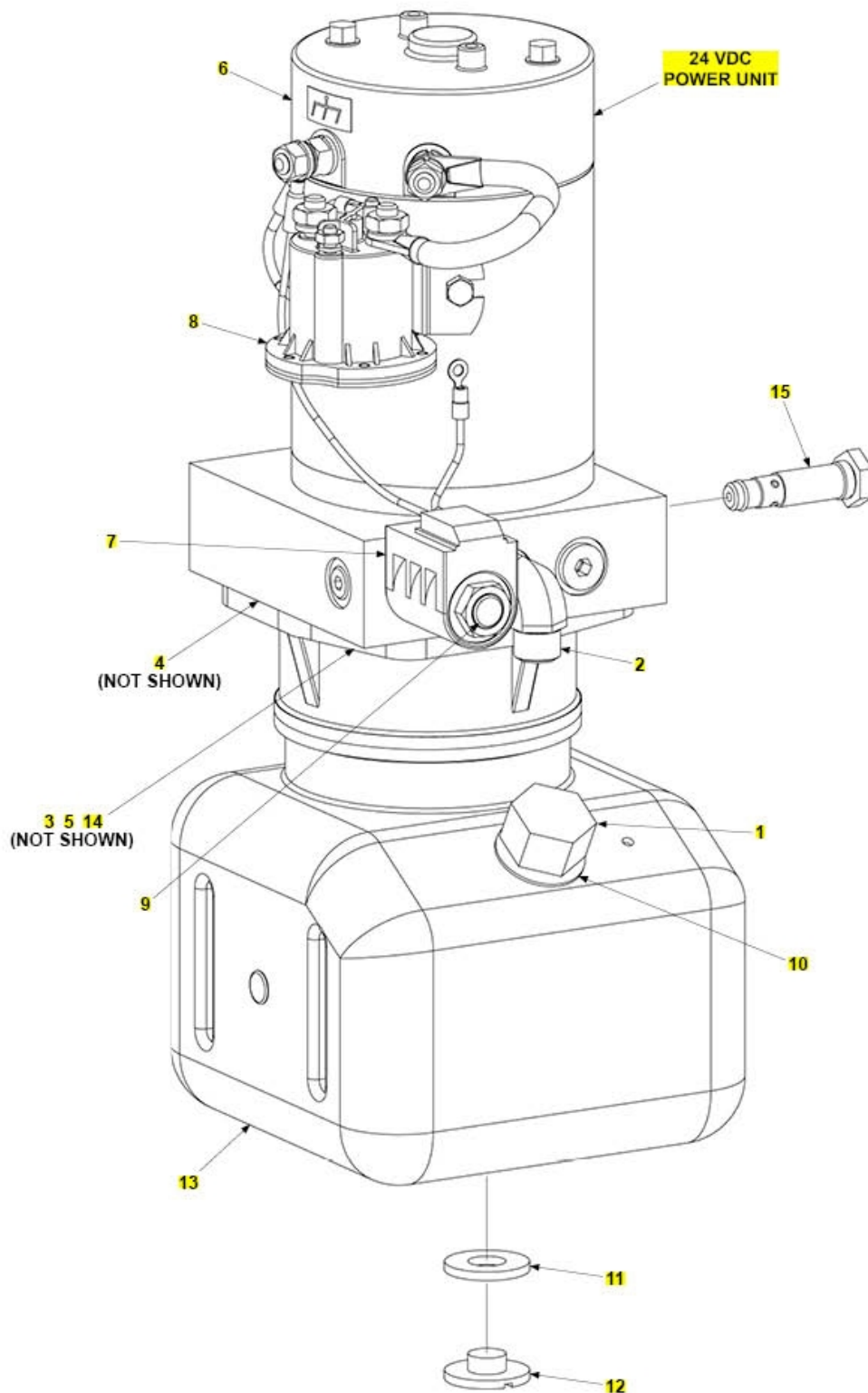
MAY 2017 to present

**CAUTION**

Do not over-tighten the terminal nuts on starter solenoid. For the load terminals, torque nuts to 40 lbs.-in. max. Torque the nuts on #10-32 control terminals 15-20 lbs.-in.

**CAUTION**

To prevent damage when installing 2-way valves, torque valve cartridge nut to 30 lbs.-in. max.



**SPARE PARTS LIST****TE-15/20/25/30**

<b>Pos</b>	<b>CPN</b>	<b>Qty</b>	<b>Description</b>
REF	287072-01	1	24VDC POWER UNIT, GD
1	280806-01	1	FILLER, BREATHER
2	906707-01	1	ELBOW, NPSC,SAE #6 F/S O-R M-M
3	260261	1	OIL SEAL,PUMP
4	290061	1	SEAL SQUARE CUT PL RESERVOIR
5	290020	1	O-RING, KEPNER CHECK VALVE
6	290176-01	1	24VDC MOTOR W/OUT TERM SW
7	290211	1	24 VDC COIL, DOUBLE LEADS (PDL24) (39002187)
8	284080-02	1	SWITCH, SOLENOID ASSY, 24VDC
9	290215	1	VALVE 2P2W NC DELTA (38502314)
10	908016-01	1	GROMMET, RUBBER, .60 ID
11	290209	1	WASHER, .56 ID X 1.25 OD (61200504)
12	290208	1	PLUG, 9/16-18, PLASTIC TANK (35901162)
13	290207	1	RESERVOIR, PLASTIC, 8.00 LG (32301527)
14	906781-01	1	PUMP ASSY,203,GPT P/D
15	906737-01	1	CARTRIDGE RELIEF VALVE

## SPARE PARTS LIST

TE-15/20/25/30

## 12 VDC POWER UNIT (POWER DOWN)

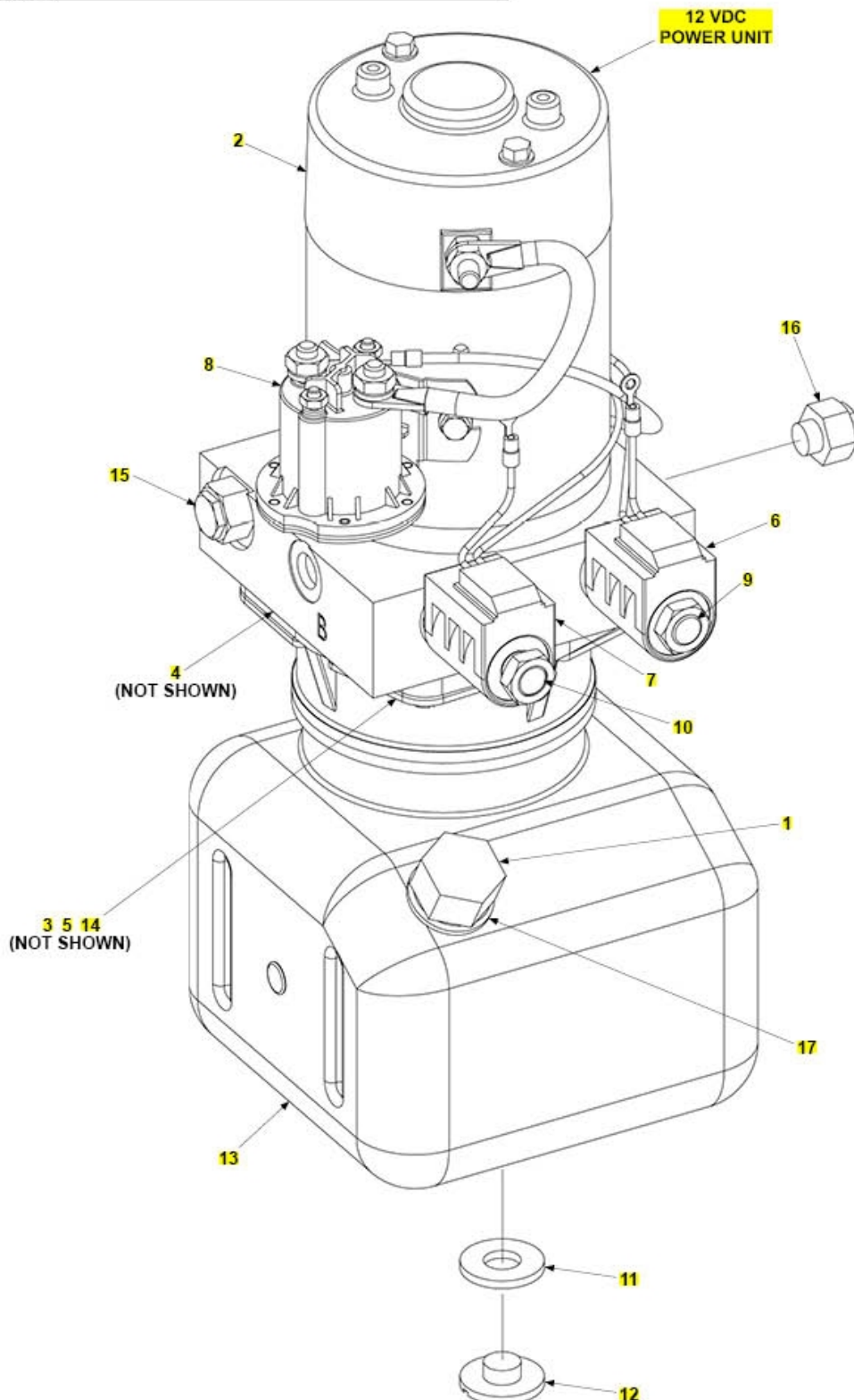
MAY 2017 to present

**CAUTION**

Do not over-tighten the terminal nuts on starter solenoid. For the load terminals, torque nuts to 40 lbs.-in. max. Torque the nuts on #10-32 control terminals 15-20 lbs.-in.

**CAUTION**

To prevent damage when installing 2-way valves, torque valve cartridge nut to 30 lbs.-in. max.



**SPARE PARTS LIST****TE-15/20/25/30**

<b>Pos</b>	<b>CPN</b>	<b>Qty</b>	<b>Description</b>
REF	287076-01	1	12VDC POWER UNIT,P/D,TUK-A-WAY
1	280806-01	1	FILLER, BREATHER
2	290177-01	1	12VDC MOTOR W/OUT TERM SW, P/D
3	260261	1	OIL SEAL,PUMP
4	290061	1	SEAL SQUARE CUT PL RESERVOIR
5	290020	1	O-RING, KEPNER CHECK VALVE
6	290213	1	12 VDC COIL, DOUBLE LEADS (PDL12) (39002189)
7	290212	1	12 VDC COIL, DOUBLE LEADS (DDL12) (39002188)
8	284080-01	1	SWITCH, SOLENOID ASSY
9	290215	1	VALVE 2P2W NC DELTA (38502314)
10	290047	1	VALVE CARTRIDGE 4WAY
11	290209	1	WASHER, .56 ID X 1.25 OD (61200504)
12	290208	1	PLUG, 9/16-18, PLASTIC TANK (35901162)
13	290214	1	RESERVOIR, PLASTIC, 8.00 LG (32301528)
14	906781-01	1	PUMP ASSY,203,GPT P/D
15	268174-01	1	RELIEF VALVE,ADJUST,1100PSI
16	906930-01	1	RELIEF VALVE "RV1" SET @ 2400 PSI
17	908016-01	1	GROMMET, RUBBER, .60 ID

## SPARE PARTS LIST

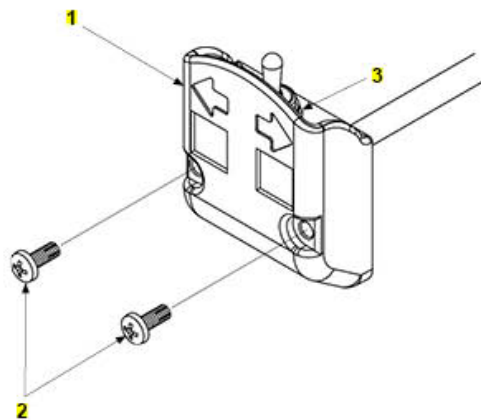
TE-15/20/25/30

## CONTROL SWITCH AND POWER CABLE

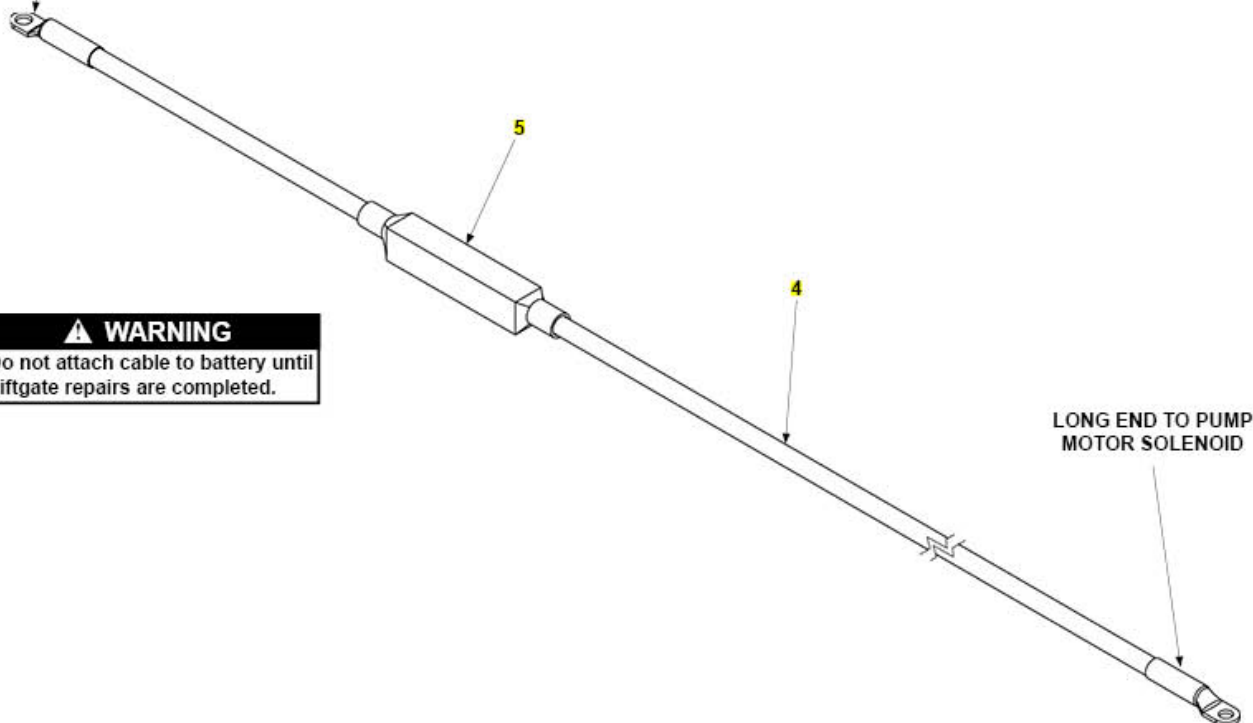
JUNE 2018 to present

**NOTE:** Use switch to raise and lower Liftgate to make sure switch operates as shown on the decal.

**NOTE:** MAXON recommends using dielectric grease on all electrical connections.



SHORT END TO VEHICLE  
BATTERY

**⚠ WARNING**

Do not attach cable to battery until  
Liftgate repairs are completed.

LONG END TO PUMP  
MOTOR SOLENOID

**SPARE PARTS LIST****TE-15/20/25/30**

<b>Pos</b>	<b>CPN</b>	<b>Qty</b>	<b>Description</b>
1	296855-01	1	TOGGLE SWITCH ASSY, 138" LG
2	900057-7	2	SCREW, SELF TAP, 10-24X1-1/2 PH, ZC
3	907220	1	SOFT INV TOGGLE BOOT
4	264422	1	CABLE ASSY, 175 AMPS, 38FT
5	264687	1	KIT, MEGA FUSEN 175 AMPS





**SPARE PARTS LIST****TE-15/20/25/30**

<b>Pos</b>	<b>CPN</b>	<b>Qty</b>	<b>Description</b>
1	907207-01	1	CIRCUIT BREAKER, 150 AMP
4	269308-10	1	CABLE ASSY, 2 GA RED, 10"
2	269308-12	1	CABLE ASSY, 2GA RED, 12"
5	264422	1	CABLE ASSY, 175 AMPS, 38FT
6	251871-14	1	CABLE 2 GA ASSY 10"
3	268226-06	1	CABLE ASSY,2GA,.31/.38RING,74"

SPARE PARTS LIST

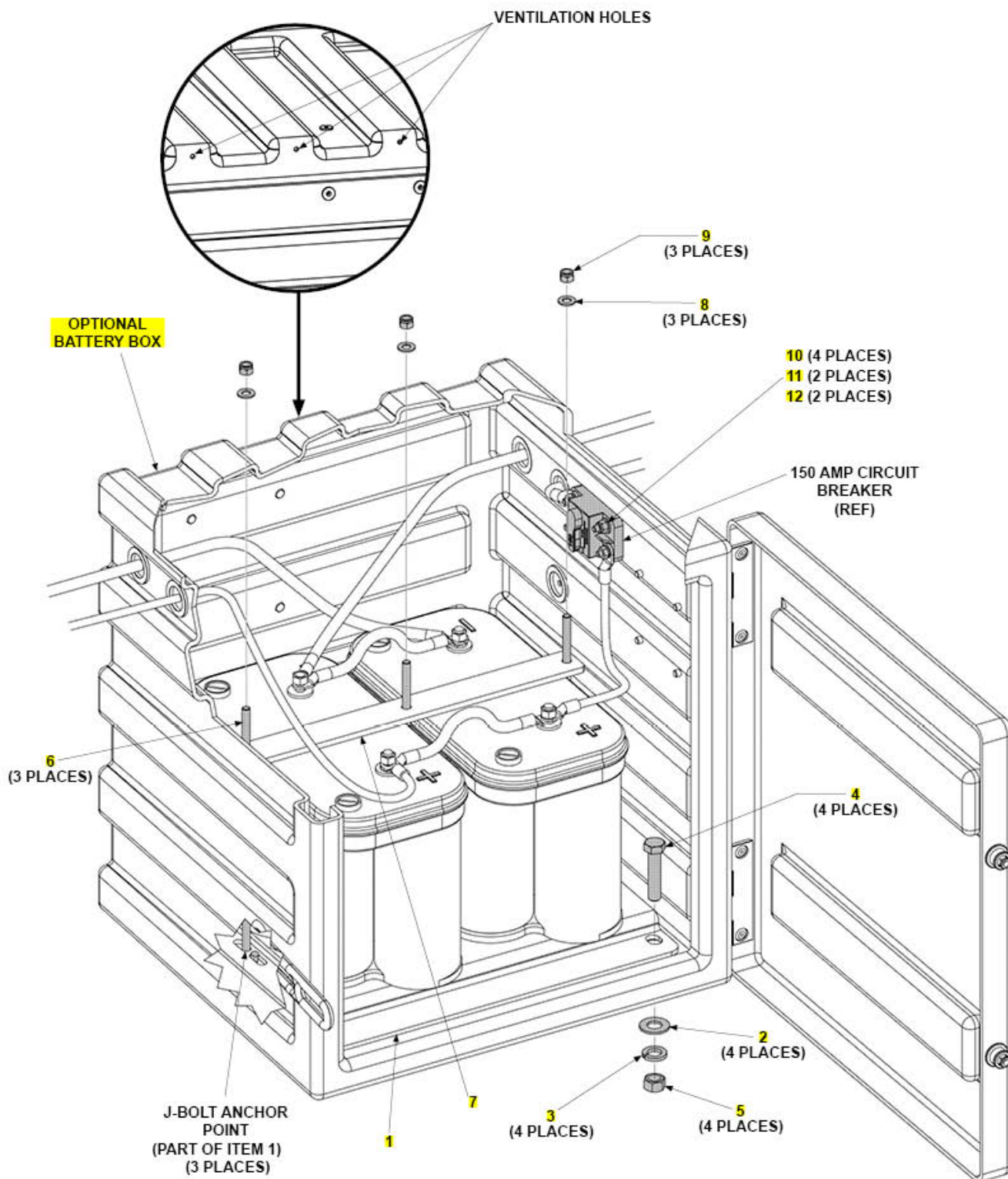
TE-15/20/25/30

OPTIONAL BATTERY BOX ASSEMBLY

SEPT 2016 to present

**⚠ WARNING**

Explosive hydrogen gas from charging batteries can accumulate in battery box if not vented from the box. To prevent hydrogen gas from accumulating, ensure the 3 ventilation holes in battery box are not plugged or covered.



*Spare Parts***SPARE PARTS LIST****TE-15/20/25/30**

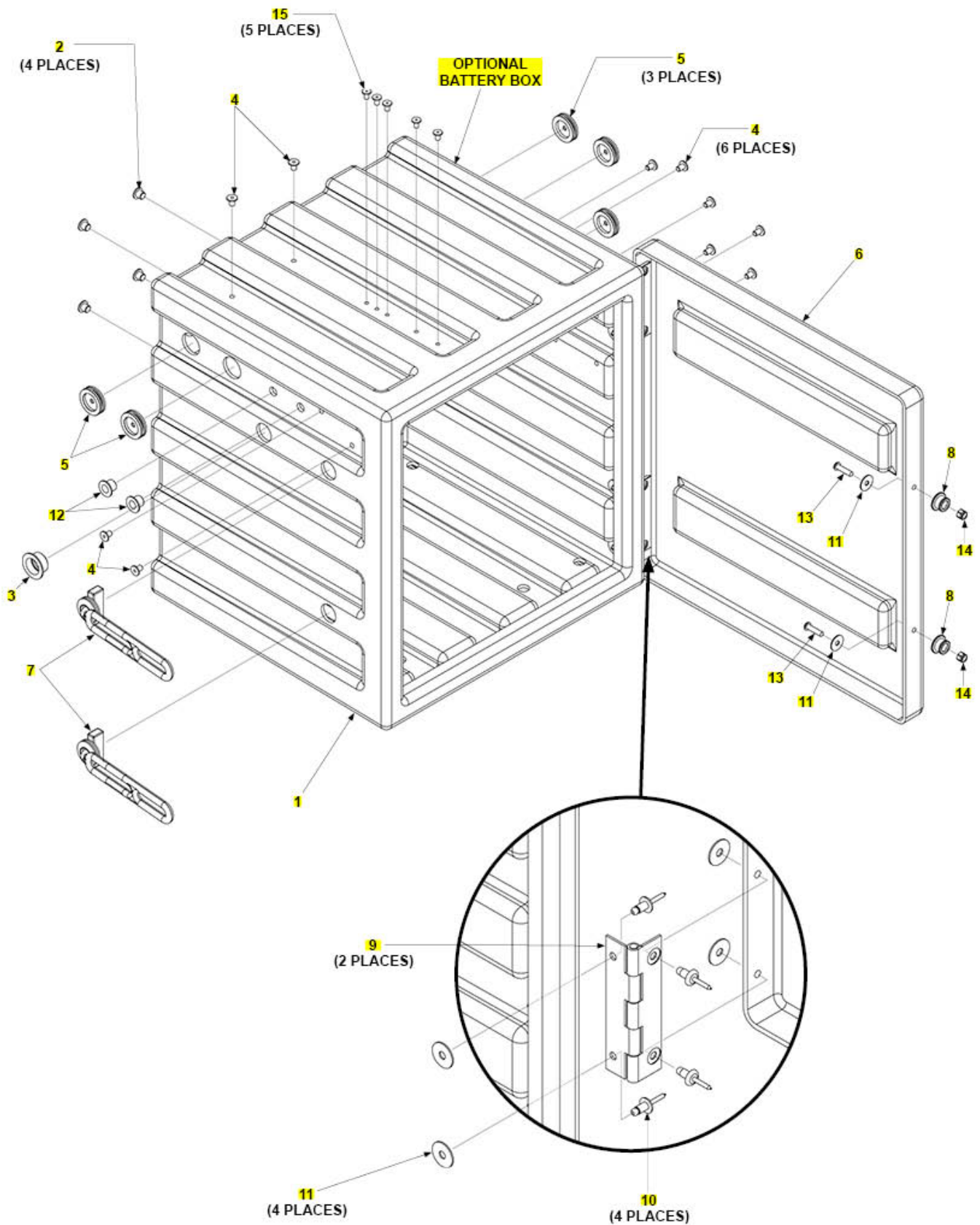
<b>Pos</b>	<b>CPN</b>	<b>Qty</b>	<b>Description</b>
7	289874-01	1	BATTERY STRAP, 2 BATTERY
10	902013-09	4	WASHER 1/4" ZINC-SAME 030564
8	902013-10	3	WASHER, FLAT 5/16" SAE, ZC
2	902013-14	4	WASHER, FLAT 9/16" SAE ZC
5	901011-10	4	NUT, HEX HEAD .500-20 UNF-2B
11	900002-5	2	SCREW, PH PAN HD, ZC 1/4-20X1.25
3	902011-7	4	WASHER, LOCK .563, .141THK
9	903106-10	3	NUT, NYL INSRT STOP.313 -18 SS
12	901000	2	NUT, NYLON 1/4-20 ZINC
6	289872-01	3	BATTERY TIE DOWN, J-BOLT 5/16
1	289871-01	1	MOUNTING PLATE, 2 BATTERY
4	900033-6	4	SCREW, CAP.5-20X2.25 GR8 ZC

SPARE PARTS LIST

TE-15/20/25/30

OPTIONAL BATTERY BOX

SEPT 2016 to present



**SPARE PARTS LIST****TE-15/20/25/30**

<b>Pos</b>	<b>CPN</b>	<b>Qty</b>	<b>Description</b>
13	900719-07	2	SCREW,BUTTON.25-20 X1 SS
5	266428-02	3	GROMMET, 1.0 DIAPH .25 HOLE
2	908022-03	4	PLUG, FLEXIBLE .393X.471
8	908194-01	2	FASTENING KNOB
11	903438-01	6	WASHER, FENDER .250 X .875 X .047 THK ZC
REF	269561-01	1	BATTERY BOX
14	903137-01	2	NUT, NYL INSRT STOP .25-20 SS
6	269558-01	1	BOX,COVER MODIFY WITH HOLES
3	908022-08	1	PLUG,FLEXIBLE 1.063X.63
12	908022-05	2	PLUG, FLEXIBLE .580X.571
9	285970-01	2	PLASTIC HINGE ASSY
15	908022-01	5	PLUG, FLEXIBLE .236X.471
1	289854-01	1	BOX, MODIFIED WITH HOLES
7	908193-01	2	RUBBER LATCH
10	903715-03	4	RIVET,BL/DM,AL/AL .25X.25-.37
4	908022-07	10	PLUG, FLEXIBLE .275X.511

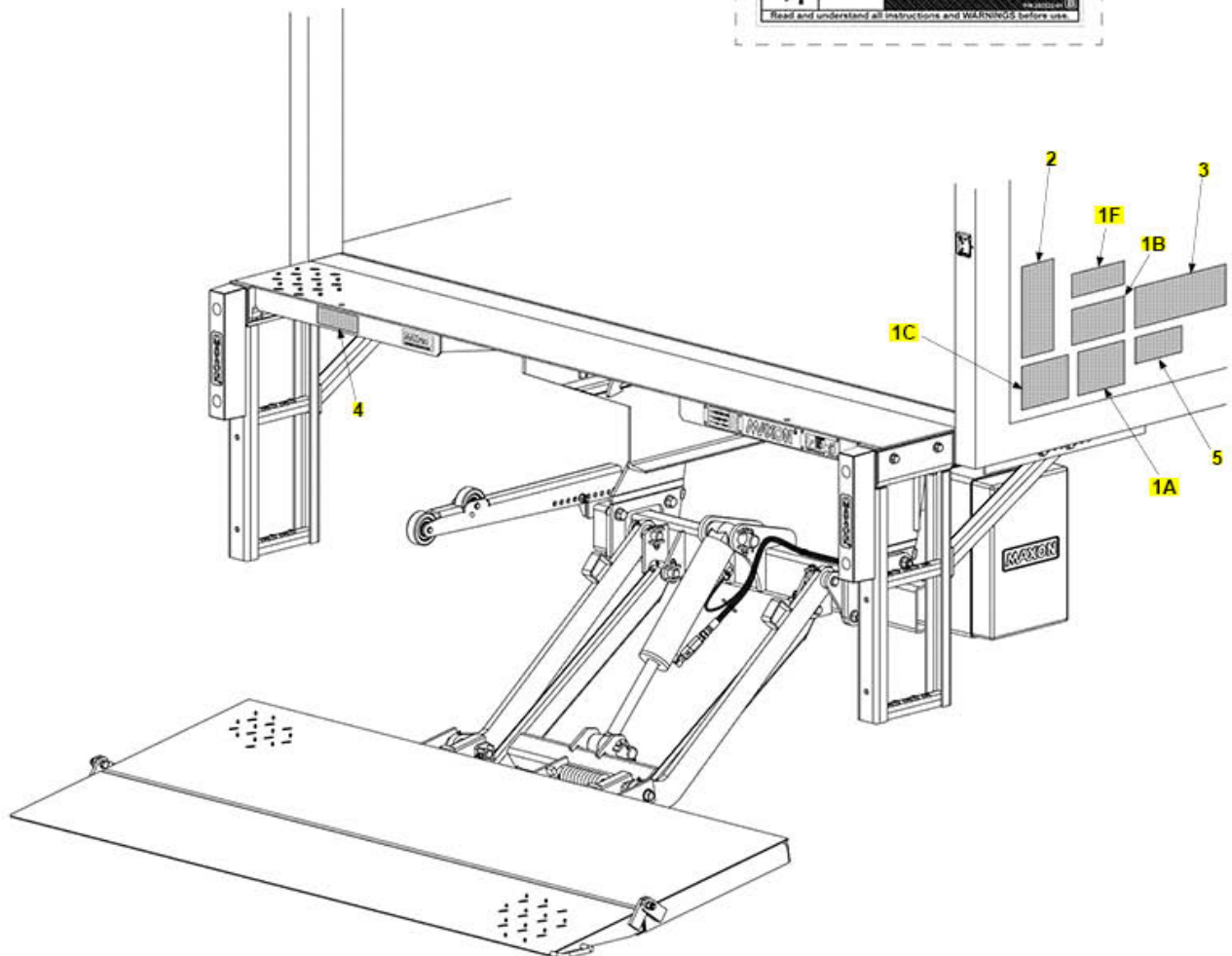
**SPARE PARTS LIST**

**TE-15/20/25/30**

**TE-15/20 DECAL**

NOV 2017 to DEC 2020

**NOTE:** Preferred decal layout is shown. Decals on the Liftgate are attached at the factory. If vehicle does not permit this layout, decals in the manual and decal kit must be applied so that they are easily visible when approaching vehicle to operate Liftgate. Use good common sense when locating these decals on vehicle.



**SPARE PARTS LIST****TE-15/20/25/30**

<b>Pos</b>	<b>CPN</b>	<b>Qty</b>	<b>Description</b>
1	282522-01	1	DECAL SHEET,SM WARN & CAUTION
1A	282522-01	1	DECAL SHEET,SM WARN & CAUTION
1B	282522-01	1	DECAL SHEET,SM WARN & CAUTION
1C	282522-01	1	DECAL SHEET,SM WARN & CAUTION
1F	282522-01	1	DECAL SHEET,SM WARN & CAUTION
2	285800-01	1	DECAL, STD TUK-A-WAY OPER INSTRUC
3	282847-02	1	DECAL,WARNING,STOW,TUK-A-WAY
4	265736-03	1	DECAL WARNING PINCH HAZARD
5	220386	1	DECAL 1500# CAPACITY
5	220387	1	DECAL 2000# CAPACITY 2X3.75



**SPARE PARTS LIST**

**TE-15/20/25/30**

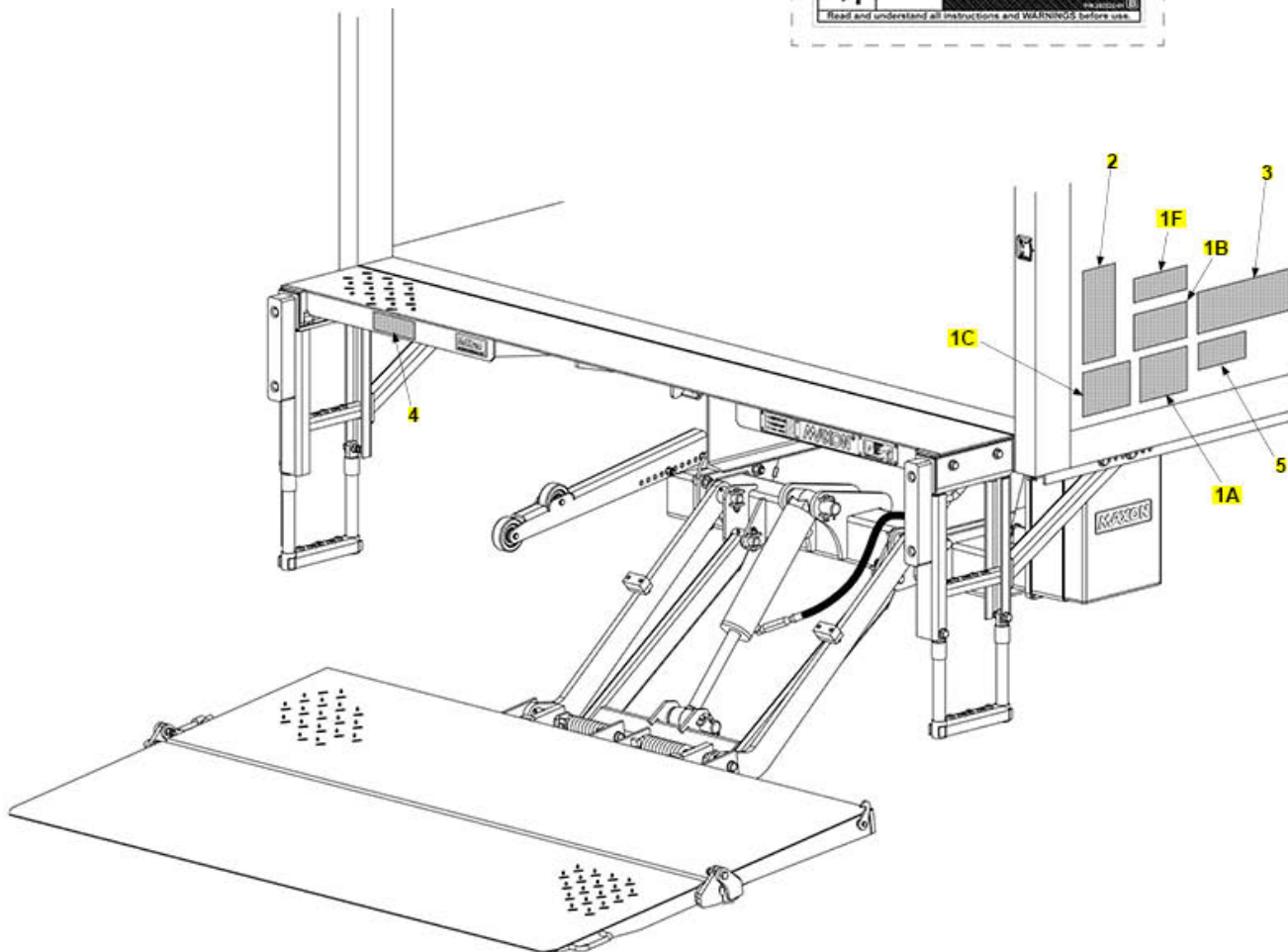
**TE-25/30 DECAL**

MAY 2017 to DEC 2020

**NOTE:** Preferred decal layout is shown. Decals on the Liftgate are attached at the factory. If vehicle does not permit this layout, decals in the manual and decal kit must be applied so that they are easily visible when approaching vehicle to operate Liftgate. Use good common sense when locating these decals on vehicle.



1



**SPARE PARTS LIST****TE-15/20/25/30**

<b>Pos</b>	<b>CPN</b>	<b>Qty</b>	<b>Description</b>
1	282522-01	1	DECAL SHEET,SM WARN & CAUTION
1A	282522-01	1	DECAL SHEET,SM WARN & CAUTION
1B	282522-01	1	DECAL SHEET,SM WARN & CAUTION
1C	282522-01	1	DECAL SHEET,SM WARN & CAUTION
1F	282522-01	1	DECAL SHEET,SM WARN & CAUTION
2	285800-01	1	DECAL, STD TUK-A-WAY OPER INSTRUC
3	282847-02	1	DECAL,WARNING,STOW,TUK-A-WAY
4	265736-03	1	DECAL WARNING PINCH HAZARD
5	220382	1	DECAL 2500# CAPACITY
5	220388	1	DECAL 3000# CAPACITY 2X3.75