
M-12-06 TE-20

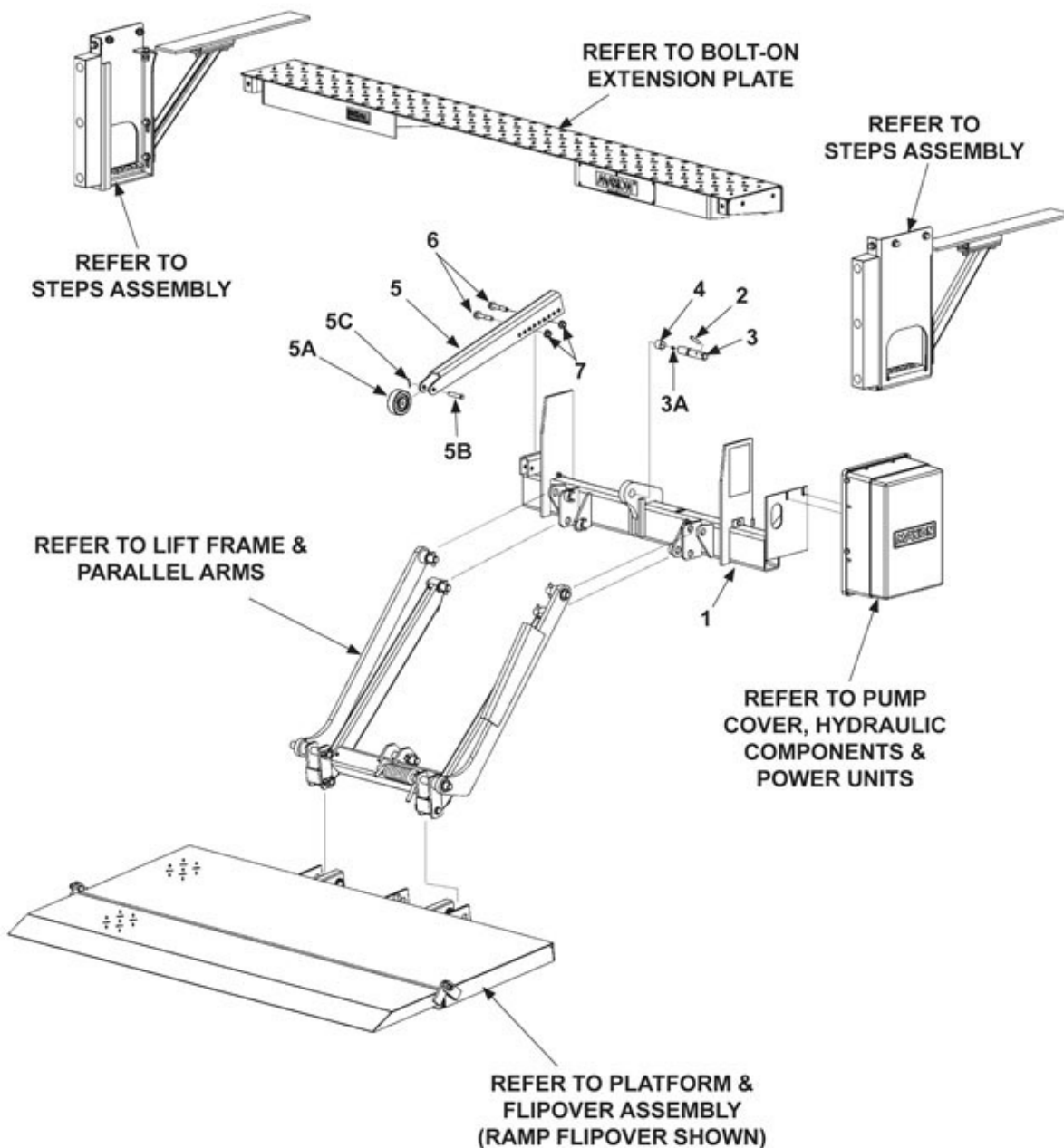
Table of Contents

Book Page	Page Number
72-150 & TE-20 MAIN ASSEMBLY (GALVANIZED)	2
LIFT FRAME & PARALLEL ARMS	4
24 VDC POWER UNIT (GRAVITY DOWN)	6
CONTROL SWITCH AND POWER CABLE	8
EXTENSION PLATE ASSEMBLY (PAINTED)	10
HYDRAULIC COMPONENTS (POWER DOWN)	12
PUMP COVER & MOUNTING PLATE ASSEMBLY (GRAVITY DOWN)	14
OPTIONAL BATTERY BOX ELECTRICAL COMPONENTS	16
HYDRAULIC COMPONENTS (GRAVITY DOWN)	18
PLATFORM & FLIPOVER ASSEMBLY (RAMP)	20
OPTIONAL BATTERY BOX ASSEMBLY	22
BOLT-ON EXTENSION PLATE ASSEMBLY (GALVANIZED)	24
PLATFORM & FLIPOVER ASSEMBLY (WEDGE)	26
72-150 & TE-20 MAIN ASSEMBLY (PAINTED)	28
PUMP COVER & MOUNTING PLATE ASSEMBLY (POWER DOWN)	30
DUAL STEP ASSEMBLY (GALVANIZED, BOLT ON)	32
SINGLE STEP ASSEMBLY (GALVANIZED, BOLT-ON)	34
OPTIONAL BATTERY BOX	36
12 VDC POWER UNIT (GRAVITY DOWN)	38
12 VDC POWER UNIT (POWER DOWN)	40

SPARE PARTS LIST

TE-20 MAINTENANCE MANUAL M-12-06

PARTS BREAKDOWN MAR 2013 to OCT 2017
72-150 & TE-20 MAIN ASSEMBLY (GALVANIZED)



MAXON
 11921 Slauson Ave. Santa Fe Springs, CA. 90670 (800) 227-4116 FAX (888) 771-7713

Pos	CPN	Qty	Description
1	269630-02G	1	MAIN FRAME, 72-150 & TE-20 (GALVANIZED)

SPARE PARTS LIST
TE-20 MAINTENANCE MANUAL M-12-06

Pos	CPN	Qty	Description
1	269646-01	1	MAIN FRAME, 72-150 & TE-20
2	904717-06	1	ROLL PIN, 3/8" X 2" LG.
3	261895-101	1	PIN ASSEMBLY, 1" DIA X 5-1/8" LG.
3A	224342	1	GREASE FITTING, 1/4"
4	260916-06	1	SELF LUBE BEARING, 1" DIA X 1" LG.
5	269638-01	1	OPENER ASSEMBLY
5	269638-01G	1	OPENER ASSEMBLY (GALVANIZED)
5A	280082-01	1	ROLLER
5B	905202-03	1	CLEVIS PIN, 1/2" DIA X 2-1/2" LG.
5C	030805	1	COTTER PIN, 1/2" DIA. X 1" LG.
6	901024-9	1	HEX FRAME BOLT, 1/2"-13 X 2-3/4" LG.
7	901023	1	FLANGE LOCK NUT, 1/2"-13

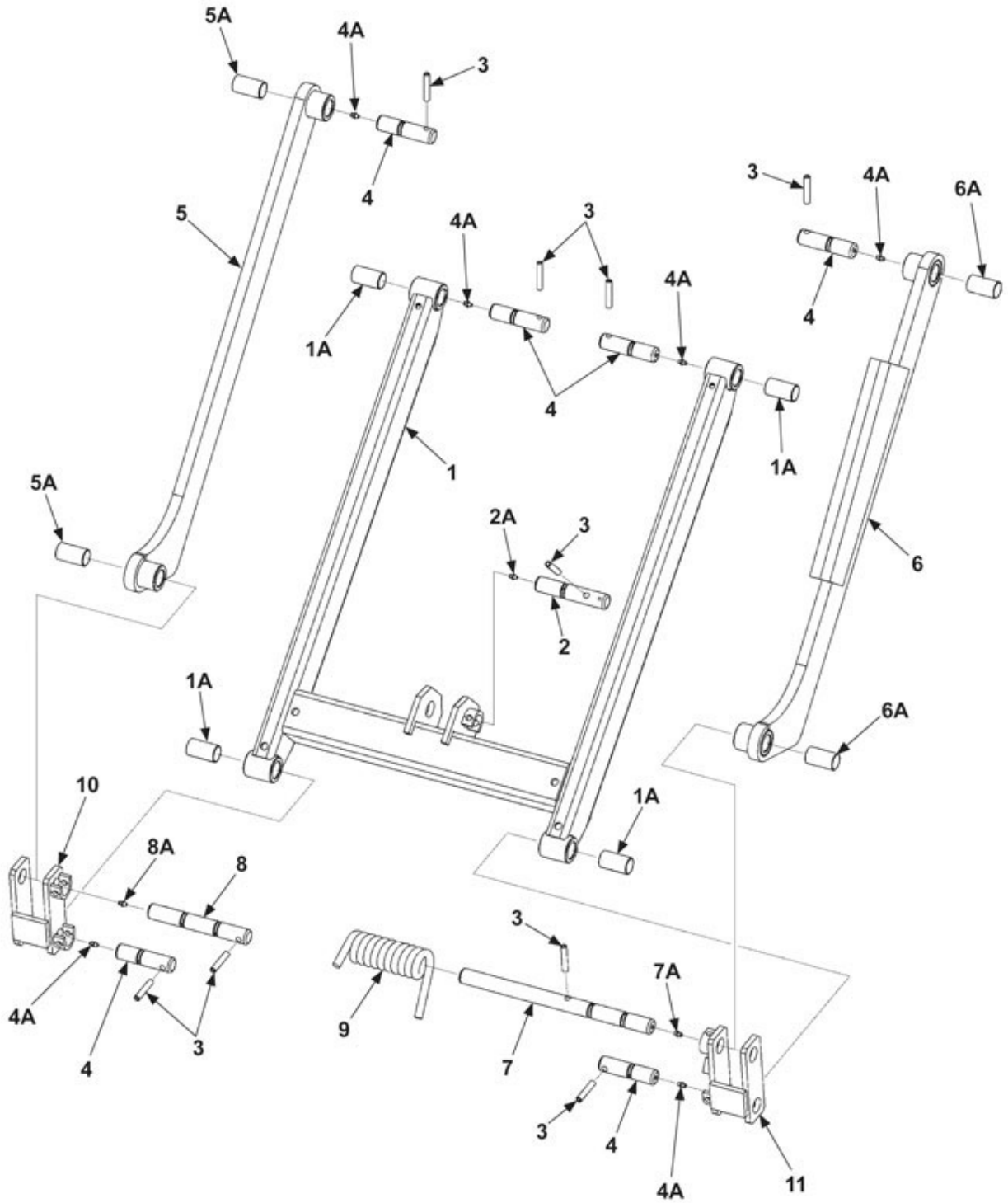
SPARE PARTS LIST

TE-20 MAINTENANCE MANUAL M-12-06

LIFT FRAME & PARALLEL ARMS

MAR 2013 to OCT 2017

MAXON
 11921 Slauson Ave. Santa Fe Springs, CA. 90670 (800) 227-4116 FAX (888) 771-7713



Pos	CPN	Qty	Description
1	285816-01	1	LIFT FRAME

SPARE PARTS LIST
TE-20 MAINTENANCE MANUAL M-12-06

Pos	CPN	Qty	Description
1	285816-01G	1	LIFT FRAME (GALVANIZED)
1A	260916-03	1	SELF LUBE BEARING, 1" DIA. X 1" LG.
2	261895-101	1	PIN, 1" DIA. X 5-1/8" LG.
2A	224342	1	GREASE FITTING, 1/4" SELF DRILLING
3	904717-06	1	ROLL PIN, 3/8" X 2" LG.
4	252686-101	1	PIN, 1" DIA. X 4" LG.
4A	224342	1	GREASE FITTING, 1/4" SELF DRILLING
5	285825-01	1	PARALLEL ARM, LH
5	285825-01G	1	PARALLEL ARM, LH (GALVANIZED)
5A	260916-03	1	SELF LUBE BEARING, 1" DIA X 1" LG.
6	285825-02	1	PARALLEL ARM, RH
6	285825-02G	1	PARALLEL ARM, RH (GALVANIZED)
6A	260916-03	1	SELF LUBE BEARING, 1" DIA X 1" LG.
7	262981-101	1	PIN 1" DIA. X 14" LG.
7A	224342	1	GREASE FITTING, 1/4" SELF DRILLING
8	260830-101	1	PIN 1" DIA. X 7-1/4" LG.
8A	224342	1	GREASE FITTING, 1/4" SELF DRILLING
9	201640	1	TORSION SPRING
10	262979-01	1	SHACKLE ASSEMBLY, LH
10	262979-01G	1	SHACKLE ASSEMBLY, LH (GALVANIZED)
11	262979-02	1	SHACKLE ASSEMBLY, RH
11	262979-02G	1	SHACKLE ASSEMBLY, RH (GALV

SPARE PARTS LIST

TE-20 MAINTENANCE MANUAL M-12-06

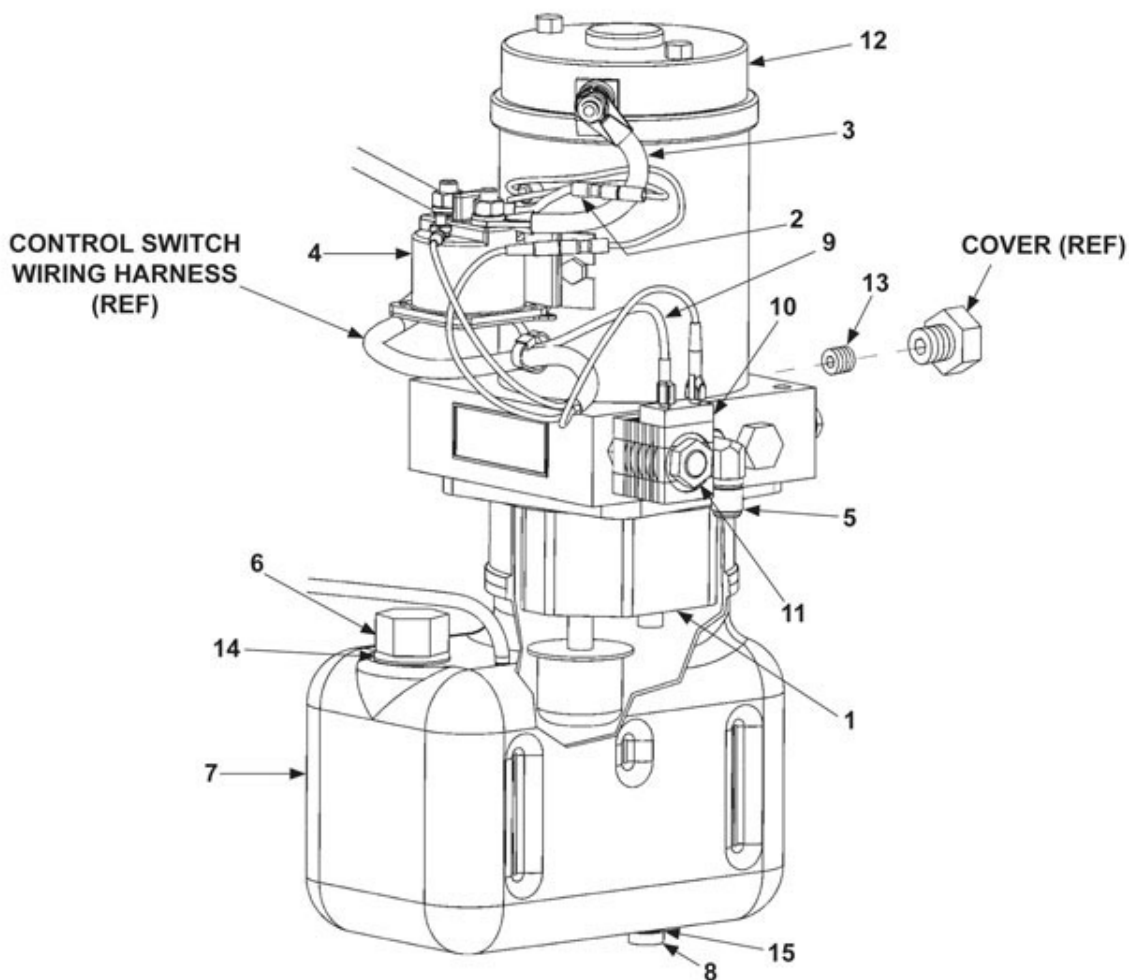
24 VDC POWER UNIT (GRAVITY DOWN)

MAR 2013 to OCT 2017

CAUTION

To prevent damage when installing 2-way valves, torque valve cartridge nut to 30 lbs.-in. max.

NOTE: MAXON recommends using dielectric grease on all electrical connections.



MAXON
11921 Slauson Ave. Santa Fe Springs, CA. 90670 (800) 227-4116 FAX (888) 771-7713

Pos	CPN	Qty	Description
1	290065	1	3-PIECE GEAR PUMP

SPARE PARTS LIST
TE-20 MAINTENANCE MANUAL M-12-06

Pos	CPN	Qty	Description
2	280566-01	1	WIRE ASSEMBLY, 16 GA, GREEN
3	280404	1	CABLE ASSEMBLY
4	281571-01	1	MOTOR STARTER SOLENOID, 24 VOLT DC
5	905152	1	90 DEG ELBOW
6	280806-01	1	FILLER CAP
7	280589-01	1	RESERVOIR
8	908017-01	1	DRAIN PLUG
9	280416	1	WIRE ASSEMBLY
10	281572-01	1	24 VDC COIL
11	906719-01	1	VALVE
12	281573-01	1	MOTOR, 24 VOLT DC
13	906737-01	1	RELIEF VALVE
14	908016-01	1	GROMMET, 19/32"
15	908018-01	1	GROMMET, 5/16"

SPARE PARTS LIST

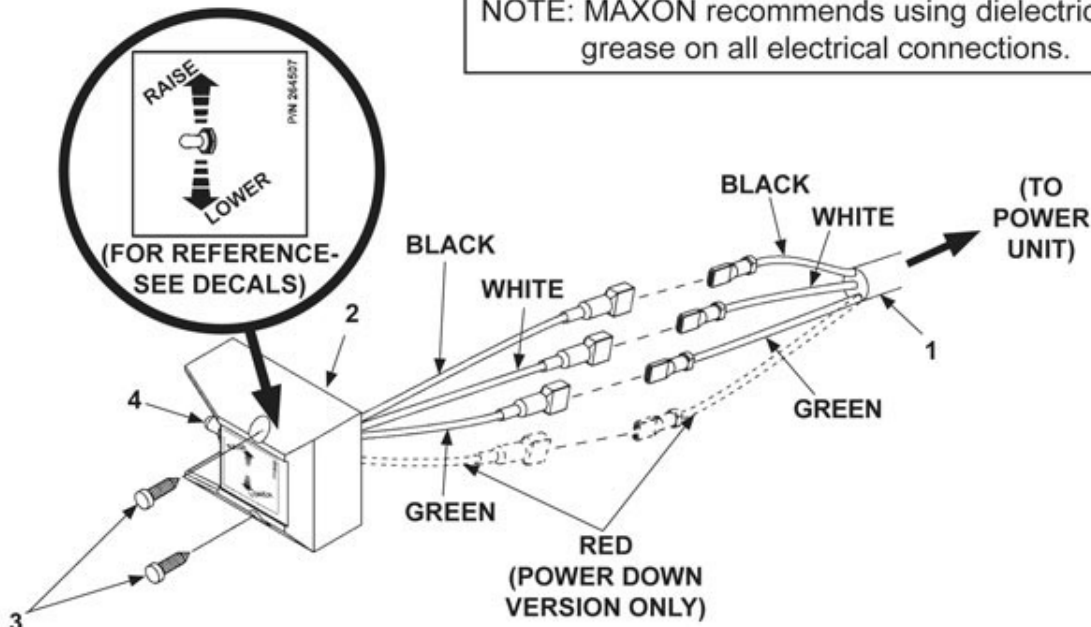
TE-20 MAINTENANCE MANUAL M-12-06

CONTROL SWITCH AND POWER CABLE

MAR 2013 to OCT 2017

NOTE: Use switch to **RAISE** and **LOWER** Liftgate to make sure switch operates as shown on the decal.

NOTE: MAXON recommends using dielectric grease on all electrical connections.



ITEM	QTY.	PART NO.	DESCRIPTION
1	1	268025-01	CABLE ASSEMBLY, 85" LG (12 VDC GRAVITY DOWN)
		280637-01	CABLE ASSEMBLY, 84" LG (24 VDC GRAVITY DOWN)
		268170-01	CABLE ASSEMBLY, 85" LG (POWER DOWN)
2	1	267959-01	MOLDED SWITCH ASSEMBLY (GRAVITY DOWN)
		264951-04	MOLDED SWITCH ASSEMBLY (POWER DOWN)
3	2	900057-5	SCREW, SELF-TAPPING #10-24 X 1" LG.
4	1	905206	SWITCH BOOT SEAL
5	1	264422	CABLE ASSEMBLY, 175 AMPS, 38' LG
6	1	264687	KIT, MEGAFUSE (175 AMP FUSE & HEATSHRINK TUBING)

SHORT END TO VEHICLE BATTERY

⚠ WARNING
Do not attach cable to battery until Liftgate repairs are completed.

LONG END TO PUMP MOTOR SOLENOID

MAXON 11921 Slauson Ave. Santa Fe Springs, CA. 90670 (800) 227-4116 FAX (888) 771-7713

Pos	CPN	Qty	Description
1	268025-01	1	CABLE ASSEMBLY, 85" LG (12 VDC GRAVITY

SPARE PARTS LIST
TE-20 MAINTENANCE MANUAL M-12-06

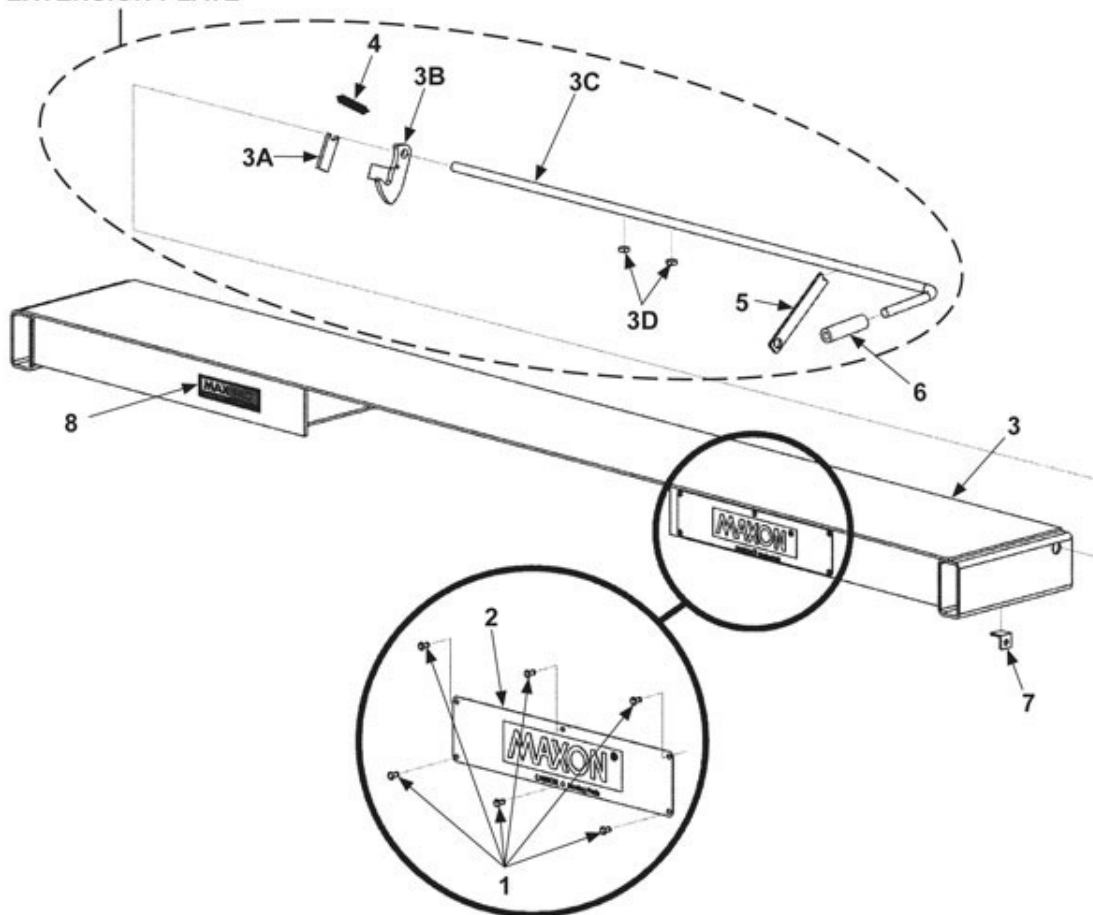
Pos	CPN	Qty	Description
			DOWN)
1	268170-01	1	CABLE ASSEMBLY, 85" LG (POWER DOWN)
1	280637-01	1	CABLE ASSEMBLY, 84" LG (24 VDC GRAVITY DOWN)
2	264951-04	1	MOLDED SWITCH ASSEMBLY (POWER DOWN)
2	267959-01	1	MOLDED SWITCH ASSEMBLY (GRAVITY DOWN)
3	900057-5	1	SCREW, SELF-TAPPING #10-24 X 1" LG.
4	905206	1	SWITCH BOOT SEAL
5	264422	1	CABLE ASSEMBLY, 175 AMPS, 38' LG
6	264687	1	KIT, MEGAFUSE (175 AMP FUSE & HEATSHRINK TUBING)

SPARE PARTS LIST

TE-20 MAINTENANCE MANUAL M-12-06

EXTENSION PLATE ASSEMBLY (PAINTED) MAR 2013 to OCT 2017

VIEWED FROM UNDER
EXTENSION PLATE



MAXON

11921 Slauson Ave. Santa Fe Springs, CA. 90670 (800) 227-4116 FAX (888) 771-7713

ITEM	QTY.	PART NO.	DESCRIPTION
REF	1	204090	EXTENSION PLATE ASSEMBLY (PAINTED)
1	6	207644	RIVET, 3/16" DIA, .40" LG
2	1	266705-01	MAXON PLATE
3	1	263000	EXTENSION PLATE WELDMENT
3A	1	215342	SPRING LEVER, 2-1/2" LG
3B	1	215341	SAFETY HOOK WELDMENT
3C	1	201606	HOOK RELEASE HANDLE, 5/8" X 52-3/4" LG
3D	2	201561	FLAT, 1/2" X 1/4"
4	1	215345	EXTENSION SPRING, 7/64" X 2-1/2" LG
5	1	203417	RENTAL LOCK BRACKET (OPTIONAL)
6	1	055011	HANDLE
7	1	203570	INNER BRACKET, RENTAL LOCK (OPTIONAL)
8	1	267338-01	MAX PRO DECAL (PAINTED MODELS ONLY)

SPARE PARTS LIST
TE-20 MAINTENANCE MANUAL M-12-06

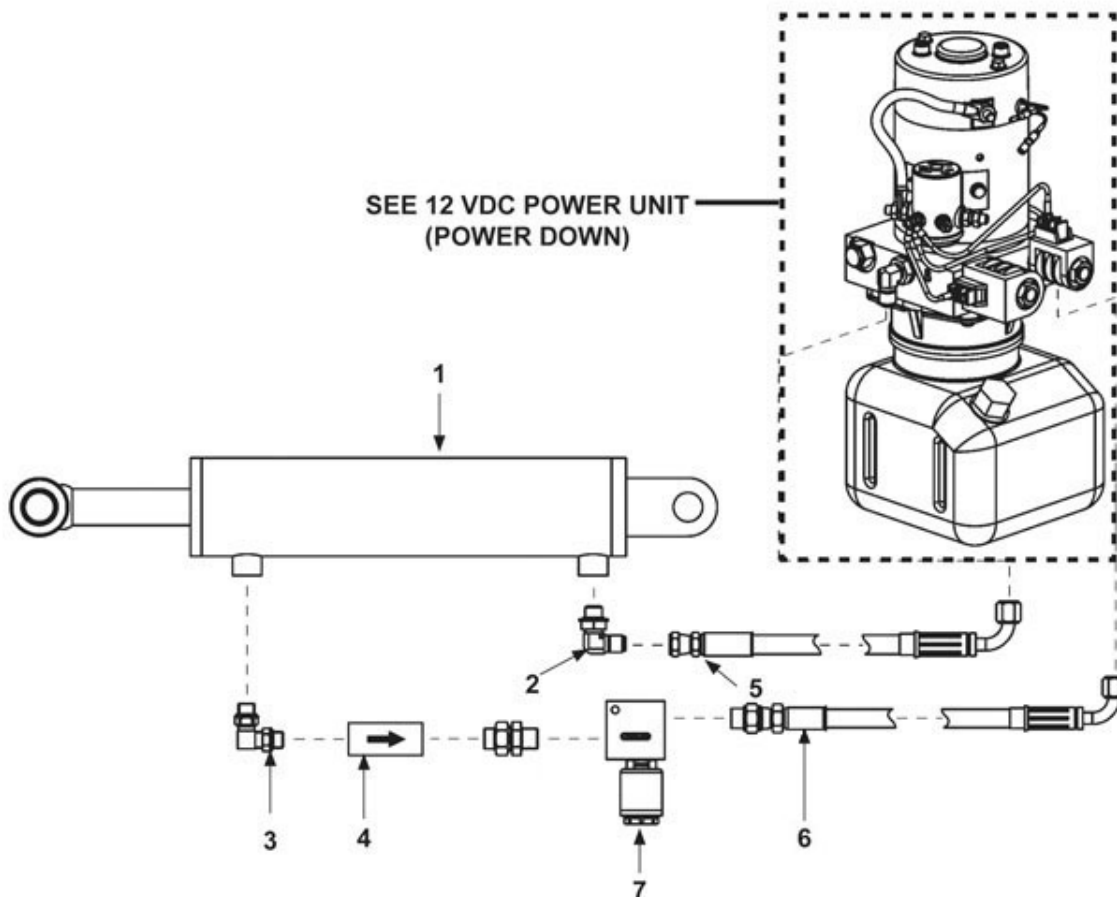
Pos	CPN	Qty	Description
2	266705-01	1	MAXON PLATE
3	263000	1	EXTENSION PLATE WELDMENT
3A	215342	1	SPRING LEVER, 2-1/2" LG
3B	215341	1	SAFETY HOOK WELDMENT
3C	201606	1	HOOK RELEASE HANDLE, 5/8" X 52-3/4" LG
3D	201561	1	FLAT, 1/2" X 1/4"
4	215345	1	EXTENSION SPRING, 7/64" X 2-1/2" LG
5	203417	1	RENTAL LOCK BRACKET (OPTIONAL)
6	055011	1	HANDLE
7	203570	1	INNER BRACKET, RENTAL LOCK (OPTIONAL)
8	267338-01	1	MAX PRO DECAL (PAINTED MODELS ONLY)

SPARE PARTS LIST

TE-20 MAINTENANCE MANUAL M-12-06

HYDRAULIC COMPONENTS (POWER DOWN)

MAR 2013 to OCT 2017



ITEM	QTY.	PART NO.	DESCRIPTION
1	1	266401-01	CYLINDER, 3" DIA X 10" STROKE (72-150)
		266401-02	CYLINDER, 3-1/2" DIA X 10" STROKE (TE-20)
2	1	905152	ELBOW, 90 DEG SAE #6-JIC37 #6
3	1	906722-01	ELBOW, 90 DEG, O-RING, #6 M-M
4	1	906709-02	FLOW REGULATOR VALVE, 2 GPM
5	1	280634-01	HOSE ASSEMBLY, 3/8"HP, 50"LG.
6	1	280635-01	HOSE ASSEMBLY, 3/8"HP, 54"LG.
7	1	268405-02	HYDRAULIC LOCK VALVE

MAXON 11921 Slauson Ave. Santa Fe Springs, CA. 90670 (800) 227-4116 FAX (888) 771-7713

Pos	CPN	Qty	Description
1	266401-01	1	CYLINDER, 3" DIA X 10" STROKE (72-150)

SPARE PARTS LIST
TE-20 MAINTENANCE MANUAL M-12-06

Pos	CPN	Qty	Description
1	266401-02	1	CYLINDER, 3-1/2" DIA X 10" STROKE (TE-20)
2	905152	1	ELBOW, 90 DEG SAE #6-JIC37 #6
3	906722-01	1	ELBOW, 90 DEG, O-RING, #6 M-M
4	906709-02	1	FLOW REGULATOR VALVE, 2 GPM
5	280634-01	1	HOSE ASSEMBLY, 3/8"HP, 50"LG.
6	280635-01	1	HOSE ASSEMBLY, 3/8"HP, 54"LG.
7	268405-02	1	HYDRAULIC LOCK VALVE

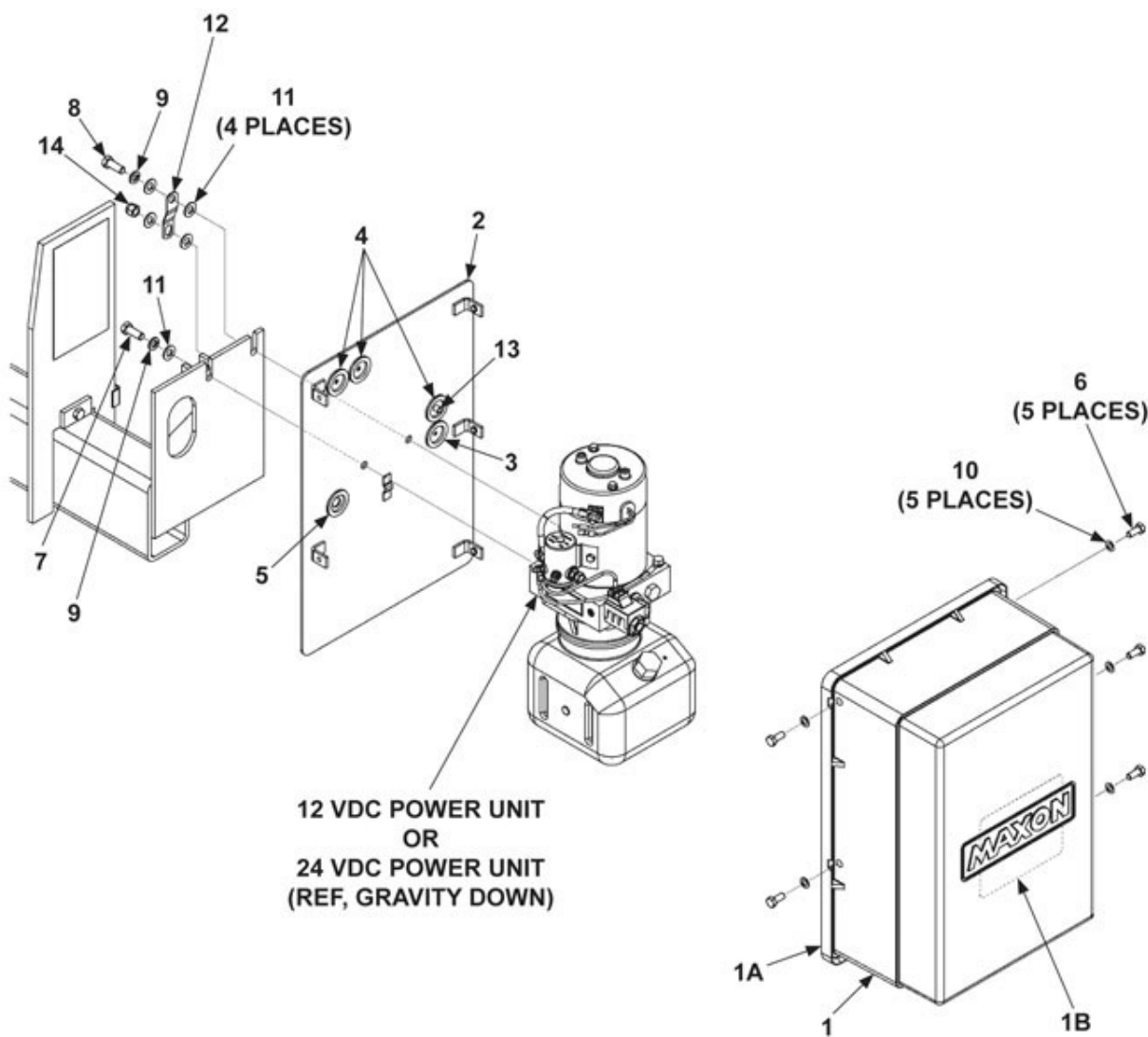
SPARE PARTS LIST

TE-20 MAINTENANCE MANUAL M-12-06

MAR 2013 to OCT 2017

MAXON® 11921 Slauson Ave. Santa Fe Springs, CA. 90670 (800) 227-4116 FAX (888) 771-7713

PUMP COVER & MOUNTING PLATE ASSEMBLY (GRAVITY DOWN)



Pos	CPN	Qty	Description
1	266419-01	1	COVER ASSEMBLY

SPARE PARTS LIST
TE-20 MAINTENANCE MANUAL M-12-06

Pos	CPN	Qty	Description
1A	096045-10	1	ADHESIVE FOAM STRIP, 60" LG.
1B	261740	1	LABEL, OIL LEVEL
2	266427-01	1	PLATE, PUMP MOUNT
3	266427-01G	1	PLATE, PUMP MOUNT (GALVANIZED)
3	266428-01	1	GROMMET, 3/16" HOLE
4	266428-02	1	GROMMET, 1/4"HOLE
5	266428-06	1	GROMMET, 9/16" HOLE
6	900009-3	1	SCREW, CAP 5/16"-18 X 3/4" LG, GR8
7	900014-4	1	SCREW, CAP 3/8"-16 X 1" LG, GR8
8	900014-5	1	SCREW, CAP 3/8"-16 X 1-1/4" LG, GR8
9	902011-4	1	LOCK WASHER, 3/8"
10	902000-7	1	FLAT WASHER, 5/16"
11	902013-11	1	FLAT WASHER, 3/8"
12	282895-01	1	GROUND JUMPER
13	908022-02	1	PLUG, FLEXIBLE
14	901002	1	LOCK NUT, 3/8'-16

SPARE PARTS LIST

TE-20 MAINTENANCE MANUAL M-12-06

OPTIONAL BATTERY BOX ELECTRICAL COMPONENTS

MAR 2013 to OCT 2017

NOTE: MAXON recommends using dielectric grease on all electrical connections.

**12 VOLT BATTERY CONNECTIONS
FOR 12 VOLT POWER**

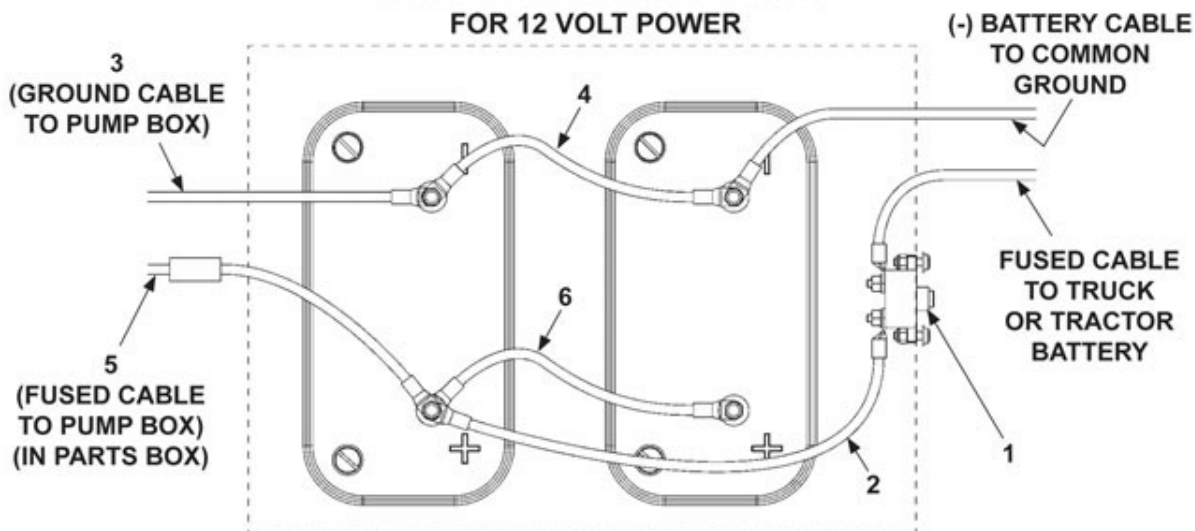


FIG. 52-1

**12 VOLT BATTERY CONNECTIONS
FOR 24 VOLT POWER**

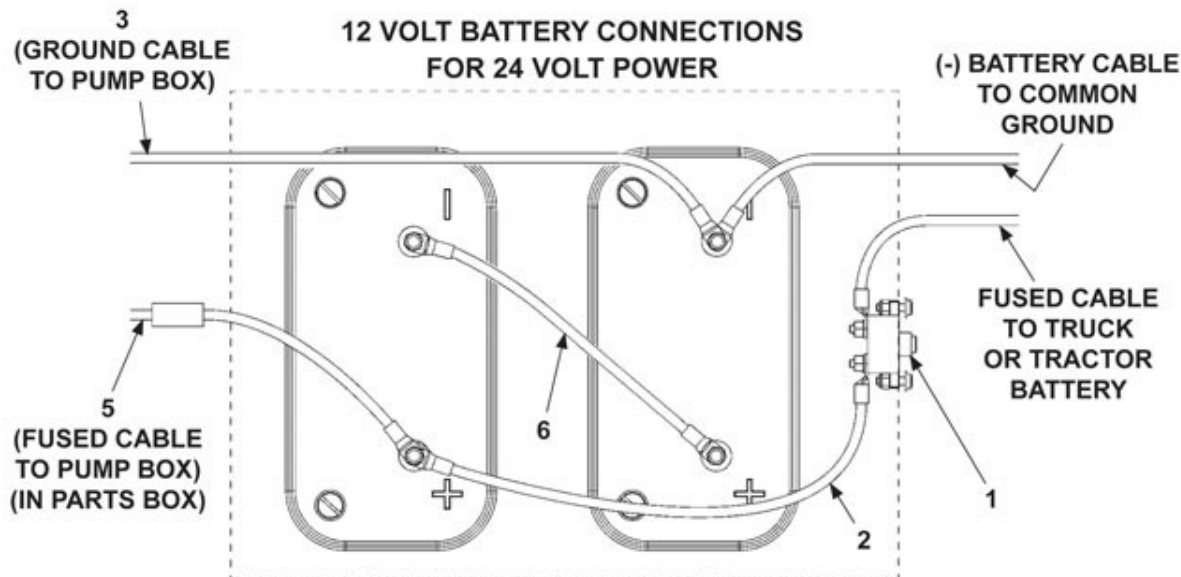


FIG. 52-2

MAXON 11921 Slauson Ave. Santa Fe Springs, CA. 90670 (800) 227-4116 FAX (888) 771-7713

Pos	CPN	Qty	Description
1	221736	1	CIRCUIT BREAKER 150 AMP

SPARE PARTS LIST
TE-20 MAINTENANCE MANUAL M-12-06

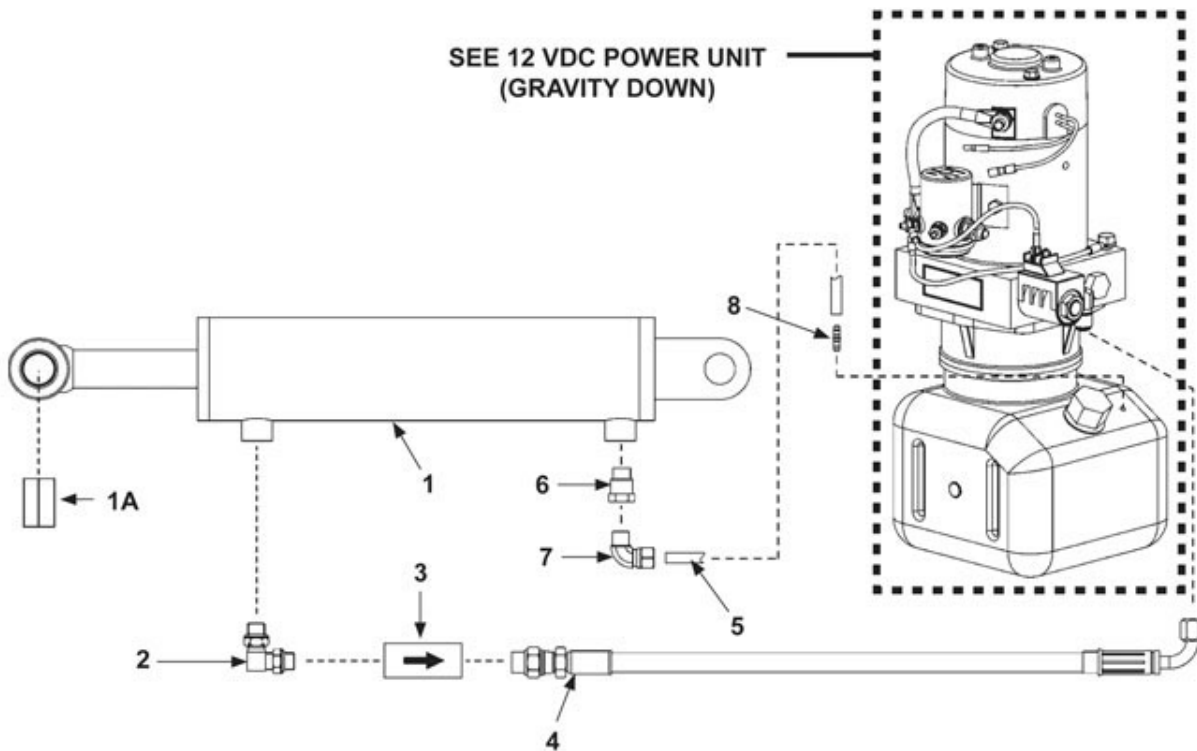
Pos	CPN	Qty	Description
2	269308-18	1	CABLE ASSEMBLY, 2 GA (RED),18" LG.
3	268226-06	1	CABLE ASSEMBLY, 2 GA, 74" LG.
4	251871-14	1	CABLE ASSEMBLY, 2 GA, 10" LG
5	285487-02	1	CABLE ASSEMBLY, 2 GA, 200 AMP, 42" LG.
6	269308-10	1	CABLE ASSEMBLY, 2 GA (RED),10" LG.

SPARE PARTS LIST

TE-20 MAINTENANCE MANUAL M-12-06

HYDRAULIC COMPONENTS (GRAVITY DOWN)

MAR 2013 to OCT 2017



ITEM	QTY.	PART NO.	DESCRIPTION
1	1	266401-01	CYLINDER, 3" DIA X 10" STROKE (72-150)
		266401-02	CYLINDER, 3-1/2" DIA X 10" STROKE (TE-20)
1A	1	260916-03	BEARING, SELF LUBE
2	1	906722-01	ELBOW, 90 DEG O-RING, #6 M-M
3	1	906709-02	FLOW REGULATOR VALVE, 2 GPM
4	1	280635-01	HOSE ASSY, 3/8" HP, 54" LG.
5	1	224370-07	HOSE, PLASTIC 60-1/2" LG.
6	1	228012	ADAPTER, STRAIGHT THREAD, 9/16"-18 M - 1/4" F
7	1	202406	ELBOW, BRASS 1/4" x 1/4"
8	1	906728-01	DUAL BARBED FITTING, 1/64" I.D.

MAXON 11921 Slauson Ave. Santa Fe Springs, CA. 90670 (800) 227-4116 FAX (888) 771-7713

Pos	CPN	Qty	Description
1	266401-01	1	CYLINDER, 3" DIA X 10" STROKE (72-150)

SPARE PARTS LIST
TE-20 MAINTENANCE MANUAL M-12-06

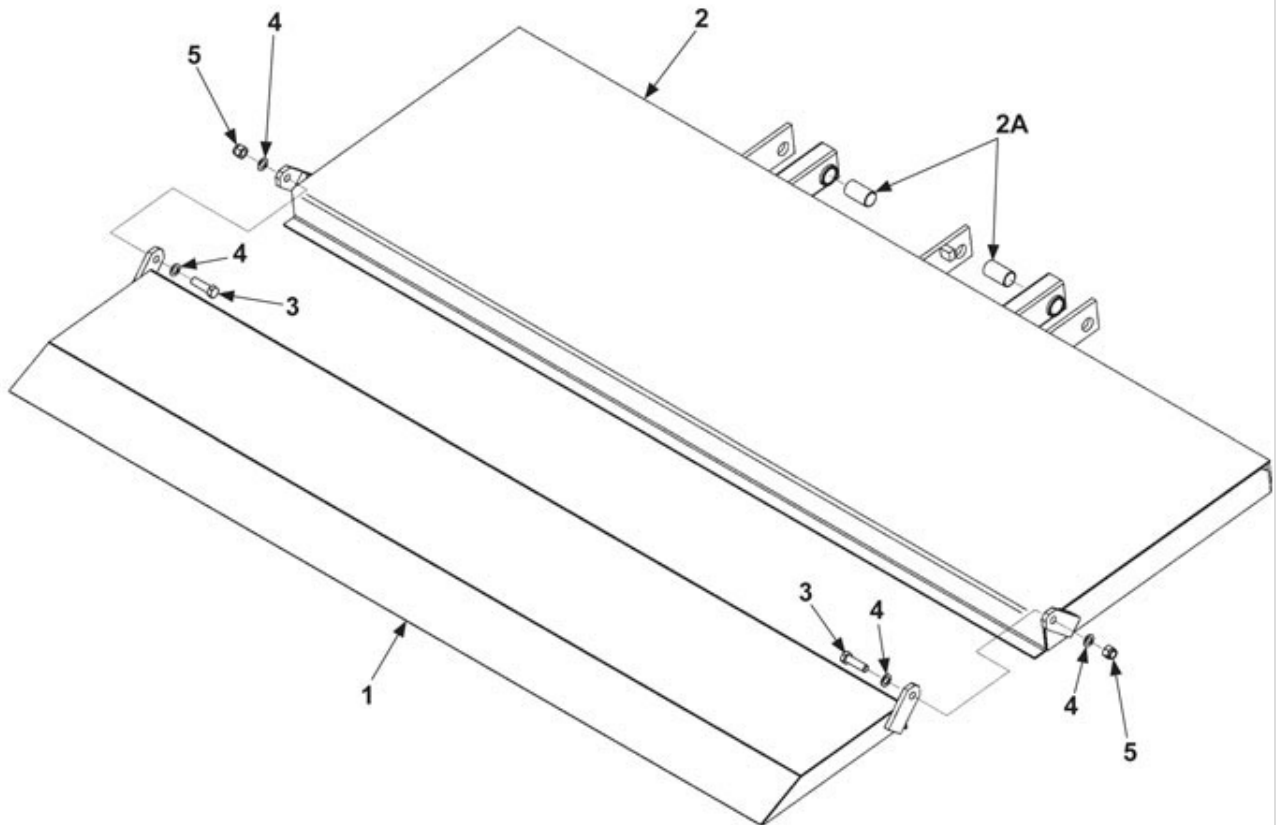
Pos	CPN	Qty	Description
1	266401-02	1	CYLINDER, 3-1/2" DIA X 10" STROKE (TE-20)
1A	260916-03	1	BEARING, SELF LUBE
2	906722-01	1	ELBOW, 90 DEG O-RING, #6 M-M
3	906709-02	1	FLOW REGULATOR VALVE, 2 GPM
4	280635-01	1	HOSE ASSY, 3/8" HP, 54" LG.
5	224370-07	1	HOSE, PLASTIC 60-1/2" LG.
6	228012	1	ADAPTER, STRAIGHT THREAD, 9/16"-18 M - 1/4" F
7	202406	1	ELBOW, BRASS 1/4" x 1/4"
8	906728-01	1	DUAL BARBED FITTING, 1/64" I.D.

SPARE PARTS LIST

TE-20 MAINTENANCE MANUAL M-12-06

MAR 2013 to OCT 2017

PLATFORM & FLIPOVER ASSEMBLY (RAMP)



MAXON
11921 Slauson Ave. Santa Fe Springs, CA. 90670 (800) 227-4116 FAX (888) 771-7713

ITEM	QTY.	PART NO.	DESCRIPTION
1	1	205012	RAMP FLIPOVER (72" WIDE, 10" + 4" DEEP RAMP)
		205012G	RAMP FLIPOVER (72" WIDE, 10" + 4" DEEP RAMP) (GALVANIZED)
		205012-01	RAMP FLIPOVER (84" WIDE, 10" + 4" DEEP RAMP)
		205012-01G	RAMP FLIPOVER (84" WIDE, 10" + 4" DEEP RAMP) (GALVANIZED)
2	1	262975-01	PLATFORM (72" WIDE, 22" DEEP)
		269647-01G	PLATFORM (72" WIDE, 22" DEEP) (GALVANIZED)
		262975-02	PLATFORM (84" WIDE, 22" DEEP)
		269647-02G	PLATFORM (84" WIDE, 22" DEEP) (GALVANIZED)
2A	2	260916-03	BEARING, SELF LUBE
3	2	900033-4	CAP SCREW, 1/2"-20 x 1-3/4" LG. GR8
4	4	902000-14	FLAT WASHER, 1/2"
5	2	901008	LOCK NUT, 1/2"-20

Pos	CPN	Qty	Description
1	205012	1	RAMP FLIPOVER (72" WIDE, 10" + 4" DEEP

SPARE PARTS LIST
TE-20 MAINTENANCE MANUAL M-12-06

Pos	CPN	Qty	Description
			RAMP)
1	205012-01	1	RAMP FLIPOVER (84" WIDE, 10" + 4" DEEP RAMP)
1	205012-01G	1	RAMP FLIPOVER (84" WIDE, 10" + 4" DEEP RAMP) (GALVANIZED)
1	205012G	1	RAMP FLIPOVER (72" WIDE, 10" + 4" DEEP RAMP) (GALVANIZED)
2	262975-01	1	PLATFORM (72" WIDE, 22" DEEP)
2	262975-02	1	PLATFORM (84" WIDE, 22" DEEP)
2	269647-01G	1	PLATFORM (72" WIDE, 22" DEEP) (GALVANIZED)
2	269647-02G	1	PLATFORM (84" WIDE, 22" DEEP) (GALVANIZED)
2A	260916-03	1	BEARING, SELF LUBE
3	900033-4	1	CAP SCREW, 1/2"-20 x 1-3/4" LG. GR8
4	902000-14	1	FLAT WASHER, 1/2"
5	901008	1	LOCK NUT, 1/2"-20

SPARE PARTS LIST

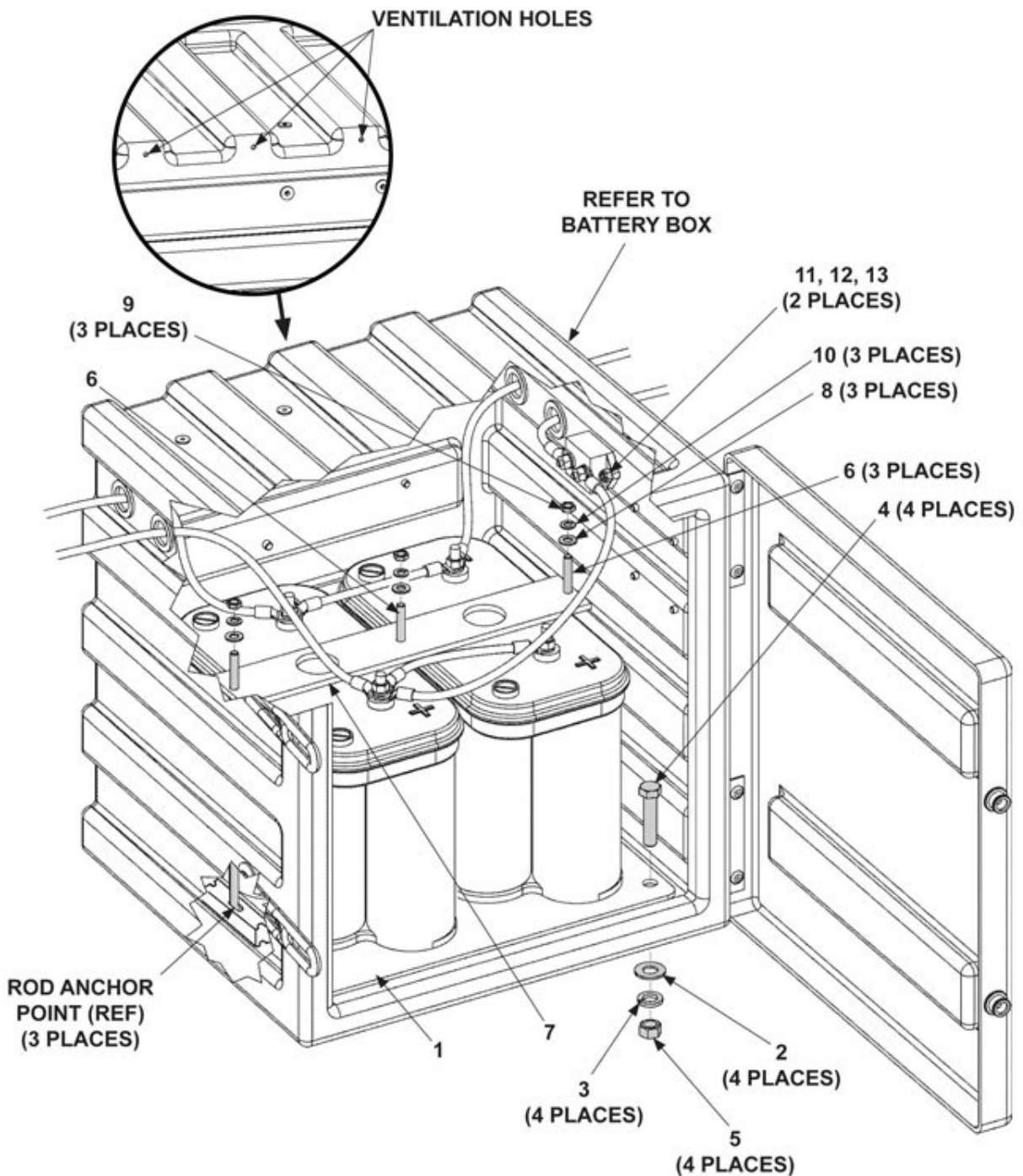
TE-20 MAINTENANCE MANUAL M-12-06

OPTIONAL BATTERY BOX ASSEMBLY MAR 2013 to OCT 2017

⚠ WARNING

Explosive hydrogen gas from charging batteries can accumulate in battery box if not vented from the box. To prevent hydrogen gas from accumulating, ensure the 3 ventilation holes in battery box are not plugged or covered.

MAXON
11921 Slauson Ave. Santa Fe Springs, CA. 90670 (800) 227-4116 FAX (888) 771-7713



54

Pos	CPN	Qty	Description
1	269535-01G	1	BATTERY MOUNT PLATE WELDMENT,

SPARE PARTS LIST
TE-20 MAINTENANCE MANUAL M-12-06

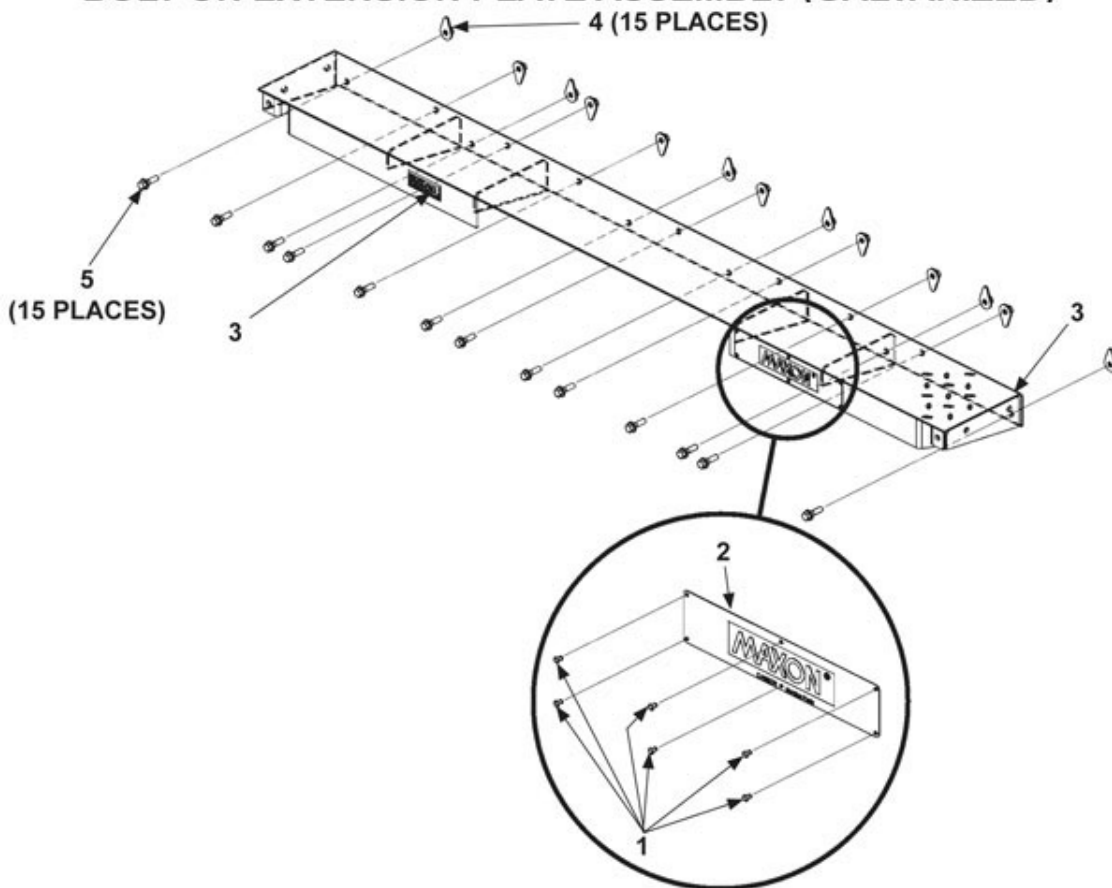
Pos	CPN	Qty	Description
			GALVANIZED
2	902013-14	1	FLAT WASHER, 9/16"
3	902011-7	1	LOCK WASHER, 9/16"
4	900033-6	1	CAP SCREW, 1/2"-20 X 2-1/4" LG., GR8
5	901011-10	1	HEX NUT, 1/2"-20
6	227722-01	1	ROD, L-SHAPE BATTERY HOLD DOWN
7	250479	1	BRACKET (BATTERY HOLD DOWN)
8	902013-10	1	FLAT WASHER, 5/16"
9	901005	1	HEX NUT, 5/16"-18, GR8
10	902011-3	1	LOCK WASHER, #10
11	902013-09	1	FLAT WASHER, 1/4"
12	900002-4	1	PAN HEAD SCREW, 1/4"-20 X 1 LG.
13	901000	1	LOCK NUT, 1/4"-20

SPARE PARTS LIST

TE-20 MAINTENANCE MANUAL M-12-06

MAR 2013 to OCT 2017

BOLT-ON EXTENSION PLATE ASSEMBLY (GALVANIZED)



ITEM	QTY.	PART NO.	DESCRIPTION
REF	1	285814-01G	BOLT-ON EXTENSION PLATE, 11" X 96" LG, GALVANIZED
1	6	207644	RIVET, 3/16" DIA, .40" LG
2	1	266705-01	MAXON PLATE
3	1	267338-01	MAX PRO DECAL (PAINTED MODELS ONLY)
4	15	283700-01	TEAR DROP WELDMENT
5	15	901024-2	HEX FRAME BOLT .1/2"-13 X 1-3/4" LG.

MAXON 11921 Slauson Ave. Santa Fe Springs, CA. 90670 (800) 227-4116 FAX (888) 771-7713

Pos	CPN	Qty	Description
1	207644	1	RIVET, 3/16" DIA, .40" LG

SPARE PARTS LIST
TE-20 MAINTENANCE MANUAL M-12-06

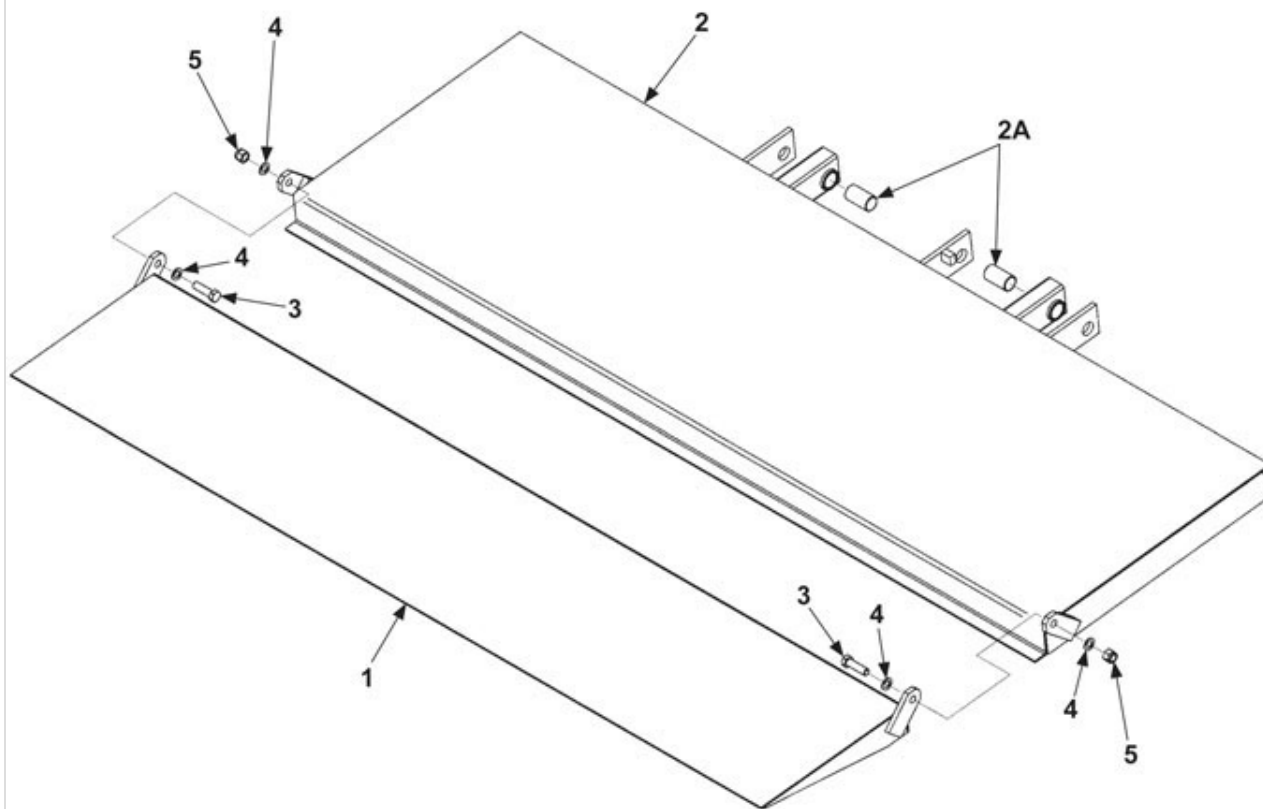
Pos	CPN	Qty	Description
2	266705-01	1	MAXON PLATE
3	267338-01	1	MAX PRO DECAL (PAINTED MODELS ONLY)
4	283700-01	1	TEAR DROP WELDMENT
5	901024-2	1	HEX FRAME BOLT .1/2"-13 X 1-3/4" LG.

SPARE PARTS LIST

TE-20 MAINTENANCE MANUAL M-12-06

MAR 2013 to OCT 2017

PLATFORM & FLIPOVER ASSEMBLY (WEDGE)



ITEM	QTY.	PART NO.	DESCRIPTION
1	1	266966-01	WEDGE FLIPOVER (72" WIDE, 14" DEEP WEDGE)
		266966-01G	WEDGE FLIPOVER (72" WIDE, 14" DEEP WEDGE) (GALVANIZED)
		266966-02	WEDGE FLIPOVER (84" WIDE, 14" DEEP WEDGE)
		266966-02G	WEDGE FLIPOVER (84" WIDE, 14" DEEP WEDGE) (GALVANIZED)
2	1	262975-01	PLATFORM (72" WIDE, 22" DEEP)
		269647-01G	PLATFORM (72" WIDE, 22" DEEP) (GALVANIZED)
		262975-02	PLATFORM (84" WIDE, 22" DEEP)
		269647-02G	PLATFORM (84" WIDE, 22" DEEP) (GALVANIZED)
2A	2	260916-03	BEARING, SELF LUBE
3	2	900033-4	CAP SCREW, 1/2"-20 x 1-3/4" LG. GR8
4	4	902000-14	FLAT WASHER, 1/2"
5	2	901008	LOCK NUT, 1/2"-20

MAXON 11921 Slauson Ave. Santa Fe Springs, CA. 90670 (800) 227-4116 FAX (888) 771-7713

Pos	CPN	Qty	Description
1	266966-01	1	WEDGE FLIPOVER (72" WIDE, 14" DEEP

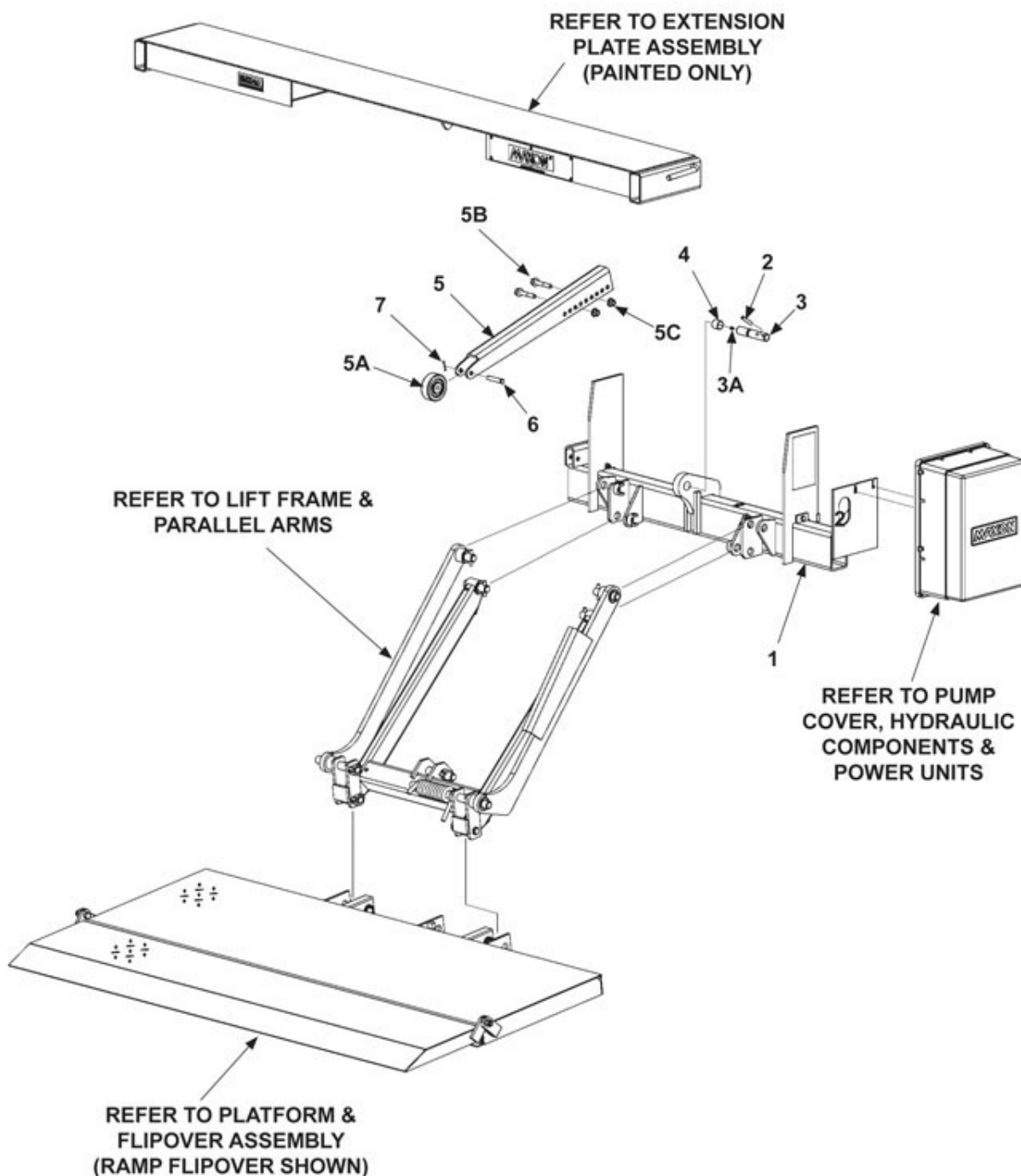
SPARE PARTS LIST
TE-20 MAINTENANCE MANUAL M-12-06

Pos	CPN	Qty	Description
			WEDGE)
1	266966-01G	1	WEDGE FLIPOVER (72" WIDE, 14" DEEP WEDGE) (GALVANIZED)
1	266966-02	1	WEDGE FLIPOVER (84" WIDE, 14" DEEP WEDGE)
1	266966-02G	1	WEDGE FLIPOVER (84" WIDE, 14" DEEP WEDGE) (GALVANIZED)
2	262975-01	1	PLATFORM (72" WIDE, 22" DEEP)
2	262975-02	1	PLATFORM (84" WIDE, 22" DEEP)
2	269647-01G	1	PLATFORM (72" WIDE, 22" DEEP) (GALVANIZED)
2	269647-02G	1	PLATFORM (84" WIDE, 22" DEEP) (GALVANIZED)
2A	260916-03	1	BEARING, SELF LUBE
3	900033-4	1	CAP SCREW, 1/2"-20 x 1-3/4" LG. GR8
4	902000-14	1	FLAT WASHER, 1/2"
5	901008	1	LOCK NUT, 1/2"-20

SPARE PARTS LIST

TE-20 MAINTENANCE MANUAL M-12-06

PARTS BREAKDOWN MAR 2013 to OCT 2017
72-150 & TE-20 MAIN ASSEMBLY (PAINTED)



MAXON 11921 Slauson Ave. Santa Fe Springs, CA. 90670 (800) 227-4116 FAX (888) 771-7713

Pos	CPN	Qty	Description
1	269630-02G	1	MAIN FRAME, 72-150 & TE-20 (GALVANIZED)

SPARE PARTS LIST
TE-20 MAINTENANCE MANUAL M-12-06

Pos	CPN	Qty	Description
1	269646-01	1	MAIN FRAME, 72-150 & TE-20
2	904717-06	1	ROLL PIN, 3/8" X 2" LG.
3	224342	1	GREASE FITTING, 1/4"
3	261895-101	1	PIN ASSEMBLY, 1" DIA X 5-1/8" LG.
3A	260916-06	1	SELF LUBE BEARING, 1" DIA X 1" LG.
3A	269638-01	1	OPENER ASSEMBLY
5	269638-01G	1	OPENER ASSEMBLY (GALVANIZED)
5A	280082-01	1	ROLLER
5B	900033-10	1	CAP SCREW, 1/2"-20 X 3-1/2" LG, GRADE 8
5C	901008	1	LOCK NUT, 1/2"-20
6	901024-9	1	HEX FRAME BOLT, 1/2"-13 X 2-3/4" LG.
7	901023	1	FLANGE LOCK NUT, 1/2"-13

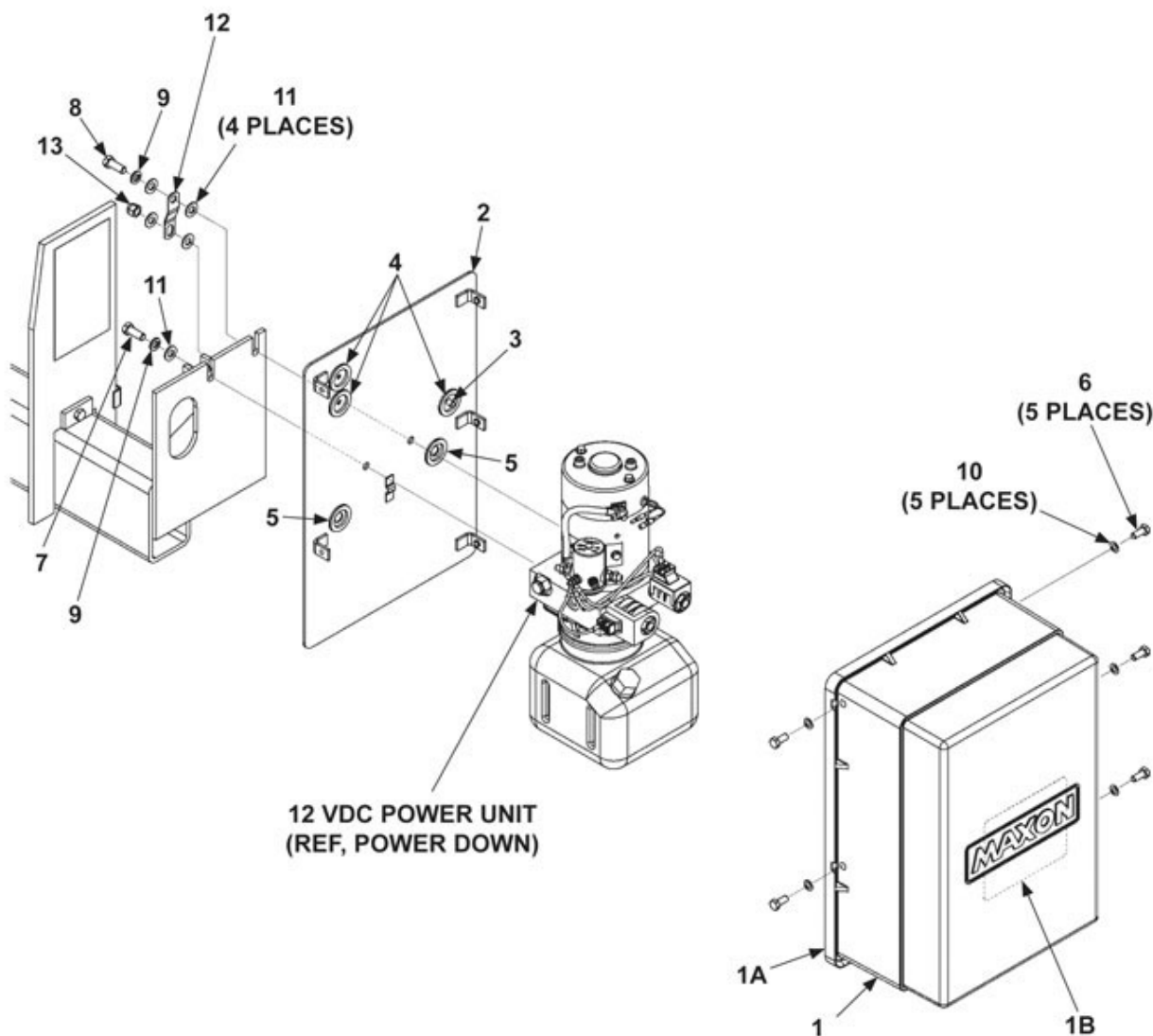
SPARE PARTS LIST

TE-20 MAINTENANCE MANUAL M-12-06

MAR 2013 to OCT 2017

PUMP COVER & MOUNTING PLATE ASSEMBLY (POWER DOWN)

MAXON[®] 11921 Slauson Ave. Santa Fe Springs, CA. 90670 (800) 227-4116 FAX (888) 771-7713



Pos	CPN	Qty	Description
1	266419-01	1	COVER ASSEMBLY

SPARE PARTS LIST
TE-20 MAINTENANCE MANUAL M-12-06

Pos	CPN	Qty	Description
1A	096045-10	1	ADHESIVE FOAM STRIP, 60" LG.
1B	261740	1	LABEL, OIL LEVEL
2	268179-01	1	PLATE, PUMP MOUNT
2	268179-01G	1	PLATE, PUMP MOUNT (GALVANIZED)
3	908022-02	1	PLUG, FLEXIBLE
4	266428-02	1	GROMMET, 1/4"HOLE
5	266428-06	1	GROMMET, 9/16" HOLE
6	900009-3	1	SCREW, CAP 5/16"-18 X 3/4" LG, GR8
7	900014-4	1	SCREW, CAP 3/8"-16 X 1" LG, GR8
8	900014-5	1	SCREW, CAP 3/8"-16 X 1-1/4" LG, GR8
9	902011-4	1	LOCK WASHER, 3/8"
10	902000-7	1	FLAT WASHER, 5/16"
11	902013-11	1	FLAT WASHER, 3/8"
12	282895-01	1	GROUND JUMPER
13	901002	1	LOCK NUT, 3/8'-16

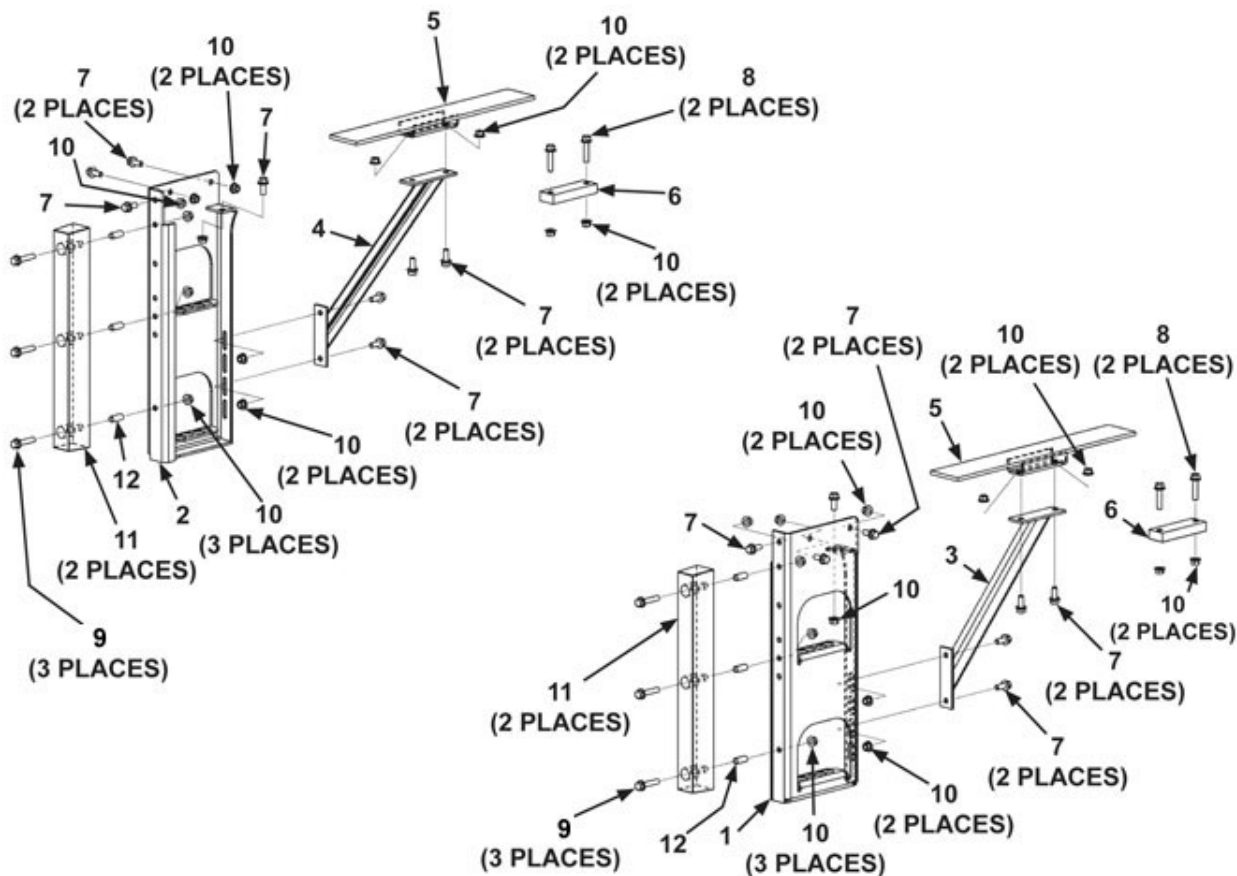
SPARE PARTS LIST

TE-20 MAINTENANCE MANUAL M-12-06

MAR 2013 to OCT 2017

DUAL STEP ASSEMBLY (GALVANIZED, BOLT ON)

MAXON
 11921 Slauson Ave. Santa Fe Springs, CA. 90670 (800) 227-4116 FAX (888) 771-7713



Pos	CPN	Qty	Description
1	285819-01	1	LH BOLT-ON DUAL STEP LH

SPARE PARTS LIST
TE-20 MAINTENANCE MANUAL M-12-06

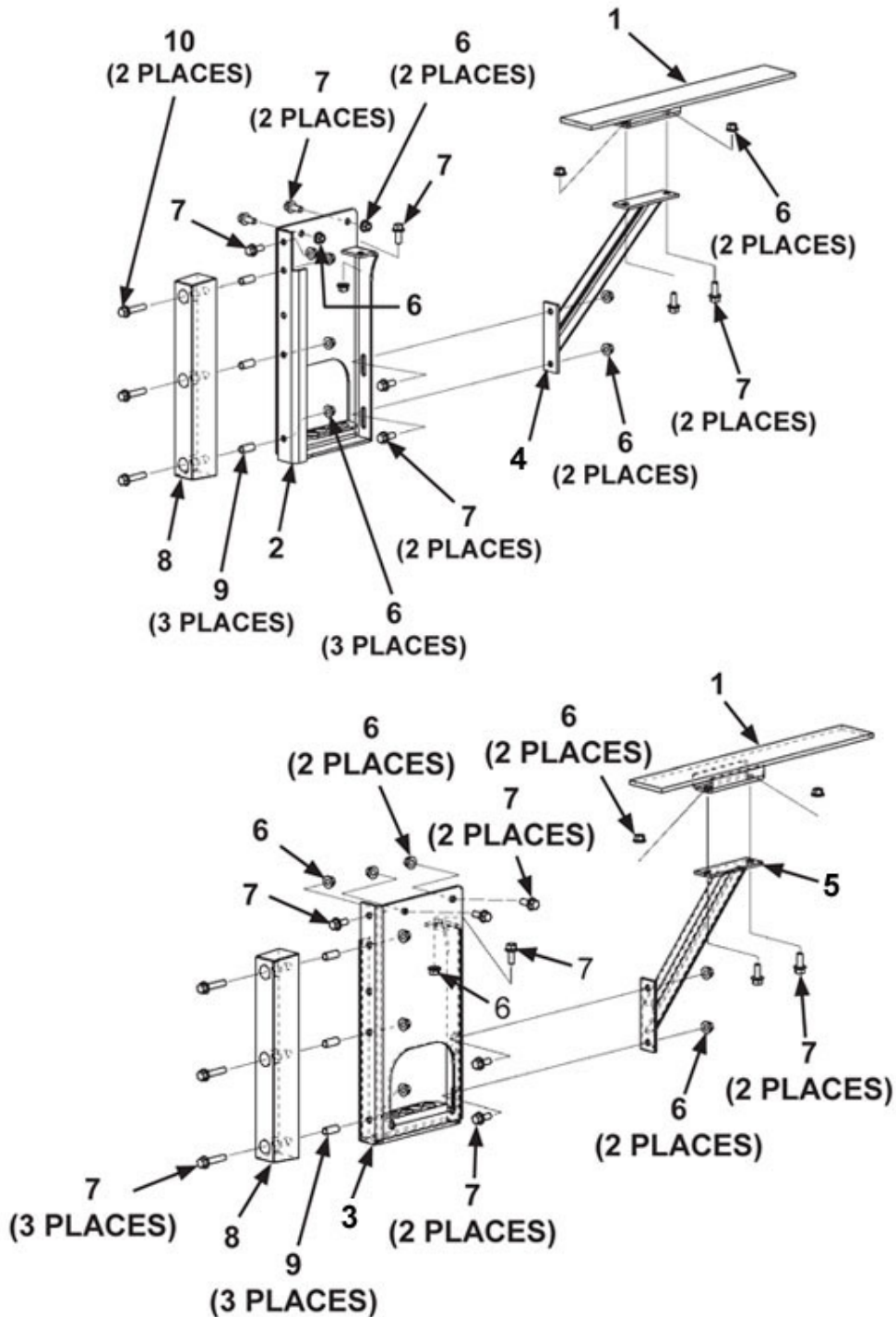
Pos	CPN	Qty	Description
1	285819-01G	1	BOLT-ON DUAL STEP (GALVANIZED)
2	285819-02	1	RH BOLT-ON DUAL STEP
2	285819-02G	1	RH BOLT-ON DUAL STEP (GALVANIZED)
3	283990-04	1	RH SUPPORT
4	283990-03	1	LH SUPPORT
5	283993-01	1	MOUNTING CHANNEL
5	283993-01G	1	MOUNTING CHANNEL (GALVANIZED)
6	283998-01	1	SPACER, JUMPER
6	283998-02	1	SPACER, JUMPER, GALVANIZED
7	901024-1	1	HEX BOLT, 1/2"-13 X 1-1/4" LG.
7	901024-1	1	HEX BOLT, 1/2"-13 X 1-1/4" LG. (IF EQUIPPED WITH WALK RAMP)
8	901024-3	1	HEX FRAME BOLT, 1/2"-13 X 2-1/4" LG
9	901024-8	1	HEX FRAME BOLT 1/2"-13 x 2-1/2" LG. (IF EQUIPPED WITH 24" BUMPER)
10	901023	1	FLANGED LOCK NUT 1/2"-13 (IF EQUIPPED WITH 6" BUMPER)
10	901023	1	FLANGED LOCK NUT 1/2"-13 (IF EQUIPPED WITH 24" BUMPER)
11	285492-01	1	RUBBER BUMPER, 1-7/8" X 1 X 6" LG.
11	905344-01	1	RUBBER BUMPER, 2 1/2" X 3 X 24" LG.
12	092036-10	1	TUBE, 5/8" X 1-1/2" LG.

SPARE PARTS LIST

TE-20 MAINTENANCE MANUAL M-12-06

MAR 2013 to OCT 2017

SINGLE STEP ASSEMBLY (GALVANIZED, BOLT-ON)



MAXON
 11921 Slauson Ave. Santa Fe Springs, CA. 90670 (800) 227-4116 FAX (888) 771-7713

Pos	CPN	Qty	Description
1	285897-01	1	MOUNTING CHANNEL, LH

SPARE PARTS LIST
TE-20 MAINTENANCE MANUAL M-12-06

Pos	CPN	Qty	Description
1	285897-02	1	MOUNTING CHANNEL, RH
2	285898-01G	1	LH SINGLE STEP , BOLT ON, GALVANIZED
3	285898-02G	1	RH SINGLE STEP, BOLT ON, GALVANIZED
4	285899-01G	1	LH SUPPORT WELDMENT, GALVANIZED
5	285899-02G	1	RH SUPPORT WELDMENT, GALVANIZED
6	901023	1	FLANGE LOCK NUT
7	901024-1	1	HEX FRAME BOLT 1.25
8	285896-01	1	RUBBER BUMPER, 2-1/2" X 3" X 18-3/4" LG.
9	092036-10	1	TUBE, 5/8" X 1-1/2" LG.
10	901024-8	1	HEX BOLT, 1/2" - 13 X 2-1/2" LG.

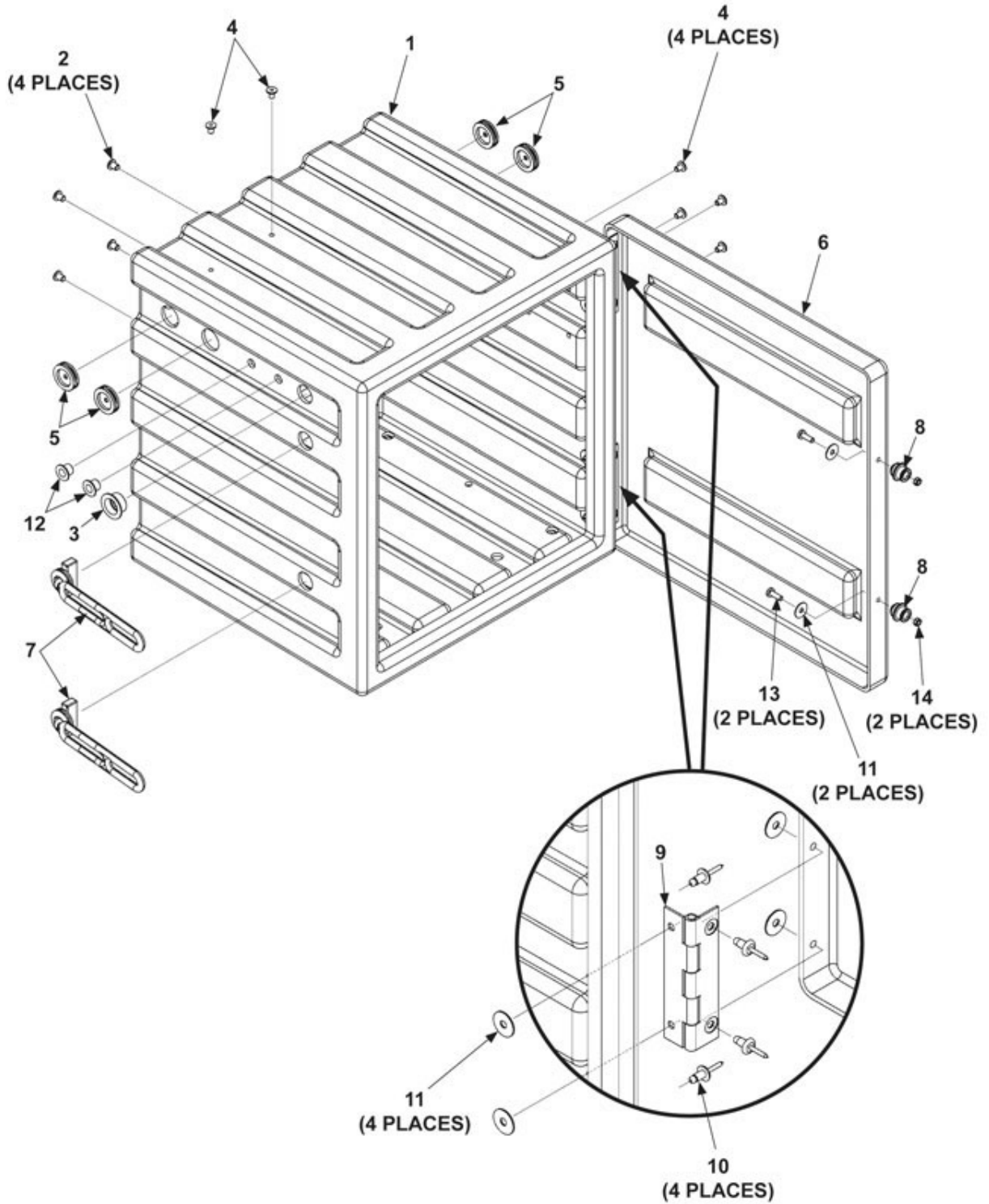
SPARE PARTS LIST

TE-20 MAINTENANCE MANUAL M-12-06

OPTIONAL BATTERY BOX

MAR 2013 to OCT 2017

MAXON[®] 11921 Slauson Ave. Santa Fe Springs, CA. 90670 (800) 227-4116 FAX (888) 771-7713



Pos	CPN	Qty	Description
1	269526-01	1	BOX

SPARE PARTS LIST
TE-20 MAINTENANCE MANUAL M-12-06

Pos	CPN	Qty	Description
2	908022-03	1	PLUG, 5/16"
3	908022-08	1	PLUG, 1-1/16"
4	908022-07	1	PLUG, 1/4"
5	266428-02	1	GROMMET, 1"
6	269558-01	1	COVER
7	908193-01	1	RUBBER LATCH
8	908194-01	1	FASTENING KNOB
9	285884-01	1	BATTERY BOX HINGE STAINLESS STEEL
10	903715-03	1	BLIND RIVET, 1/4" X 1/4"-3/8"
11	903438-01	1	WASHER, 1/4"
12	908022-05	1	PLUG, 9/16"
13	900719-07	1	BUTTON HEAD SCREW, 1/4"-20 X 1" LG.
14	903137-01	2	LOCK NUT, 1/4"-20, NYLON

SPARE PARTS LIST

TE-20 MAINTENANCE MANUAL M-12-06

12 VDC POWER UNIT (GRAVITY DOWN)

MAR 2013 to OCT 2017

MAXON

11921 Slauson Ave. Santa Fe Springs, CA. 90670 (800) 227-4116 FAX (888) 771-7713

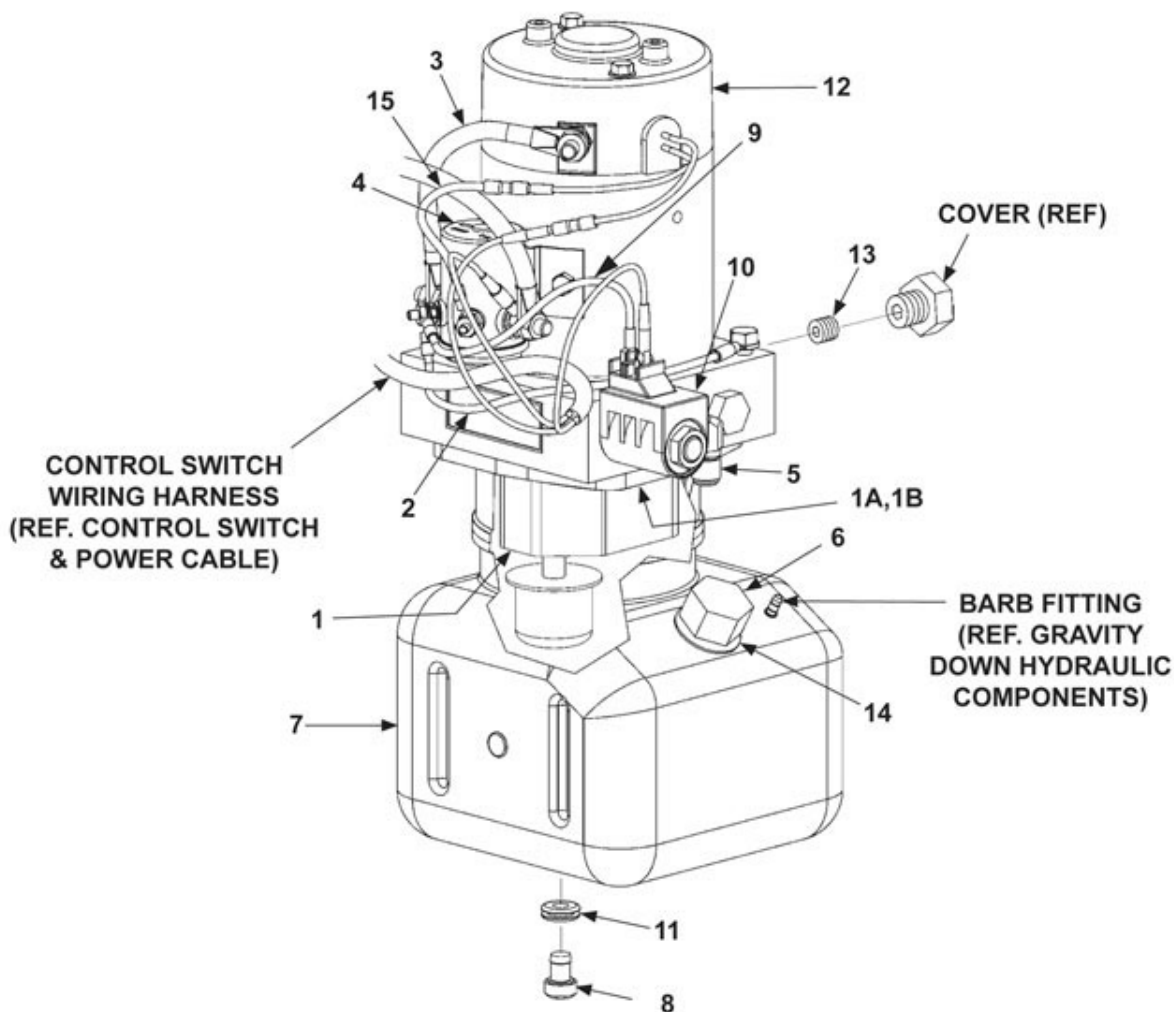
CAUTION

To prevent damage to metal case starter solenoid, hold bottom terminal nut securely when loosening and tightening top terminal nut. Do not over-tighten the terminal nuts. For the 5/16" load terminals, torque nuts 35-40 lbs.-in. Torque the nuts on #10-32 control terminals 15-20 lbs.-in.

CAUTION

To prevent damage when installing 2-way valves, torque valve cartridge nut to 30 lbs.-in. max.

NOTE: MAXON recommends using dielectric grease on all electrical connections.



44

Pos	CPN	Qty	Description
1	290002	1	3-PIECE GEAR PUMP

SPARE PARTS LIST
TE-20 MAINTENANCE MANUAL M-12-06

Pos	CPN	Qty	Description
1A	226594	1	OIL SEAL KIT
1B	290020	1	O-RING
2	268027-01	1	WIRE ASSEMBLY, 18 GA, #10 RING - 5/16" RING
3	280404	1	CABLE ASSEMBLY
4	268029-01	1	SOLENOID SWITCH
5	905152	1	ELBOW, 90 DEG, O-RING
6	280806-01	1	FILLER CAP
7	267733-11	1	RESERVOIR, 3 QT, VERTICAL WITH VENT
8	908017-01	1	DRAIN PLUG
9	280416	1	WIRE ASSEMBLY
10	290043	1	VALVE ASSEMBLY, 2 WAY
11	908018-01	1	GROMMET, 5/16" I.D.
12	280374	1	MOTOR, 12 VOLT DC
13	906740-01	1	RELIEF VALVE (RED SPRING)
14	908016-01	1	GROMMET, 3/4" I.D.
15	268024-01	1	WIRE ASSY, 16GA WHITE, 3" LG

SPARE PARTS LIST

TE-20 MAINTENANCE MANUAL M-12-06

12 VDC POWER UNIT (POWER DOWN)

MAR 2013 to OCT 2017

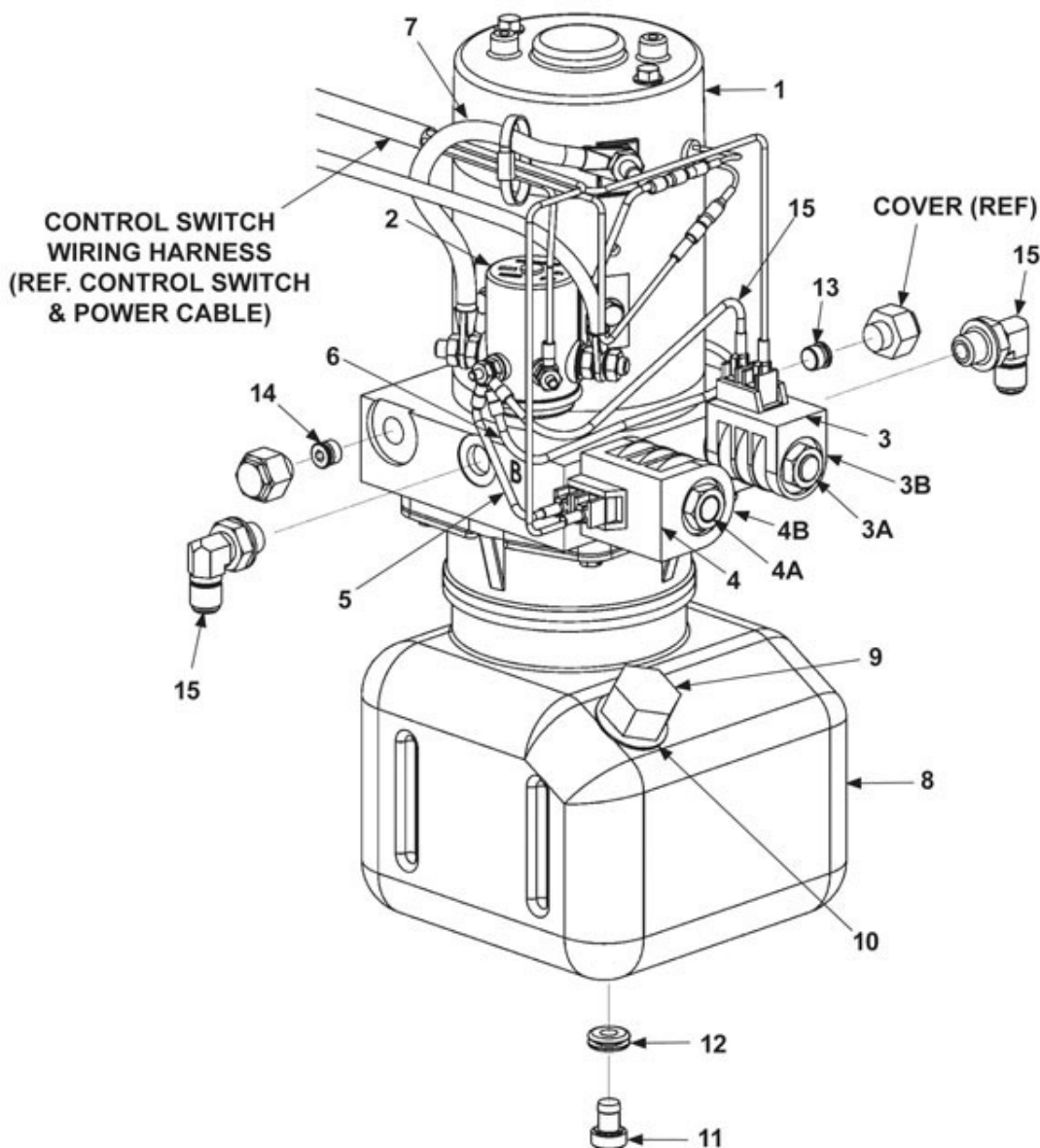
CAUTION

To prevent damage to plastic case starter solenoid, do not over-tighten the terminal nuts. For the 5/16" load terminals, torque nuts 35-40 lbs.-in. Torque the nuts on #10-32 control terminals 15-20 lbs.-in.

CAUTION

To prevent damage when installing 2-way valves, torque valve cartridge nut to 30 lbs.-in. max.

NOTE: MAXON recommends using dielectric grease on all electrical connections.



50

MAXON
11921 Slauson Ave. Santa Fe Springs, CA. 90670 (800) 227-4116 FAX (888) 771-7713

Pos	CPN	Qty	Description
1	268176-01	1	MOTOR, 12 VDC

SPARE PARTS LIST
TE-20 MAINTENANCE MANUAL M-12-06

Pos	CPN	Qty	Description
2	268029-01	1	SWITCH, SOLENOID
3	906821-01	1	2P2W VALVE & COIL ASSEMBLY, 4 WAY, DOUBLE SPADE
3A	906822-01	1	2P2W VALVE
3B	290045	1	COIL, DOUBLE SPADE, 2 WAY
4	290046	1	VALVE ASSEMBLY, 4 WAY, DOUBLE SPADE
4A	290047	1	VALVE CARTRIDGE, 4 WAY
4B	290048	1	COIL, DOUBLE SPADE, 3 OR 4 WAY
5	280416	1	WIRE ASSEMBLY
6	268079-01	1	WIRE ASSEMBLY, 18 GA, #10 RING - 5/16" RING
7	280404	1	CABLE ASSEMBLY
8	267733-01	1	RESERVOIR, 3 QT, VERTICAL WITH VENT
9	280806-01	1	FILLER CAP
10	908016-01	1	GROMMET, 3/4" I.D.
11	908017-01	1	DRAIN PLUG
12	908018-01	1	GROMMET, 5/16" I.D.
13	906738-02	1	RELIEF VALVE, ADJUST, 3200PSI
14	268174-01	1	RELIEF VALVE, ADJUST, 1100PSI
15	905152	1	ELBOW, 90 DEG, O-RING